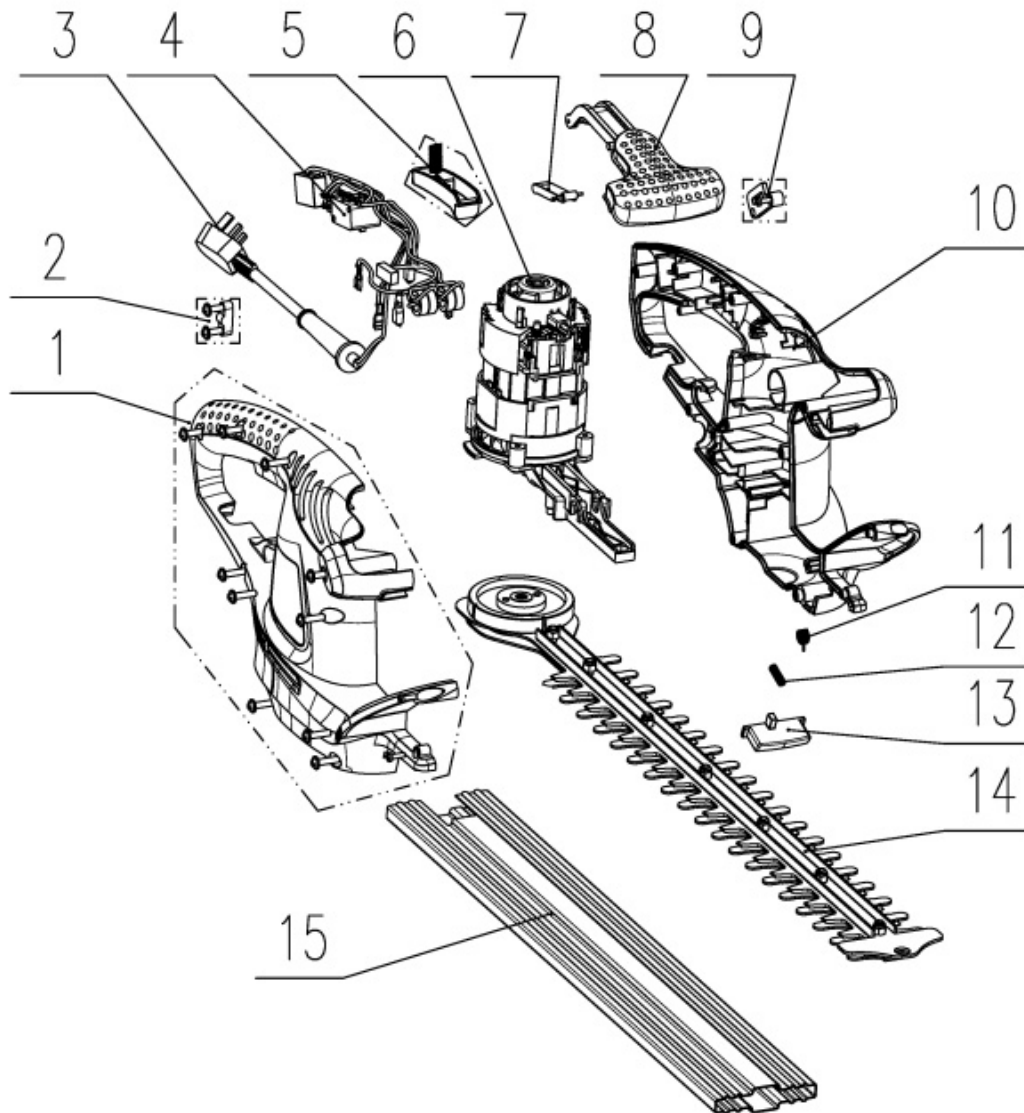




# SPARE PARTS LISTING & DRAWING SHEET FOR 500W Hedge Trimmer

Stock No.03465 Part No.HT5002



KEY No.	PART No.	STOCK No.	DESCRIPTION
1	YGP-HT5002-01	04281	Housing right
2	YGP-HT5002-02	04282	Cable clamp
3	YGP-HT5002-03	04283	Cable, UK plug & 6M cable
4	YGP-HT5002-04	04284	Switch
5	YGP-HT5002-05	04285	Trigger
6	YGP-HT5002-06	04286	Motor
7	YGP-HT5002-07	04287	Bridge
8	YGP-HT5002-08	04289	Front handle

KEY No.	PART No.	STOCK No.	DESCRIPTION
9	YGP-HT5002-09	04290	Cable plate
10	YGP-HT5002-10	04291	Housing left
11	YGP-HT5002-11	04292	Spring
12	YGP-HT5002-12	04293	Spring
13	YGP-HT5002-13	04294	Slider
14	YGP-HT5002-14	04295	Blade
15	YGP-HT5002-15	04296	Blade sleeve

**Helpline: (023) 8049 4344. Sales Desk: (023) 8049 4333. General Enquiries: (023) 8026 6355.**

DRAPER TOOLS LTD, HURSLEY ROAD, CHANDLER'S FORD, EASTLEIGH, HANTS. SO53 1YF. U.K. internet: [www.draper.co.uk](http://www.draper.co.uk) e-mail: [sales@drapertools.com](mailto:sales@drapertools.com)