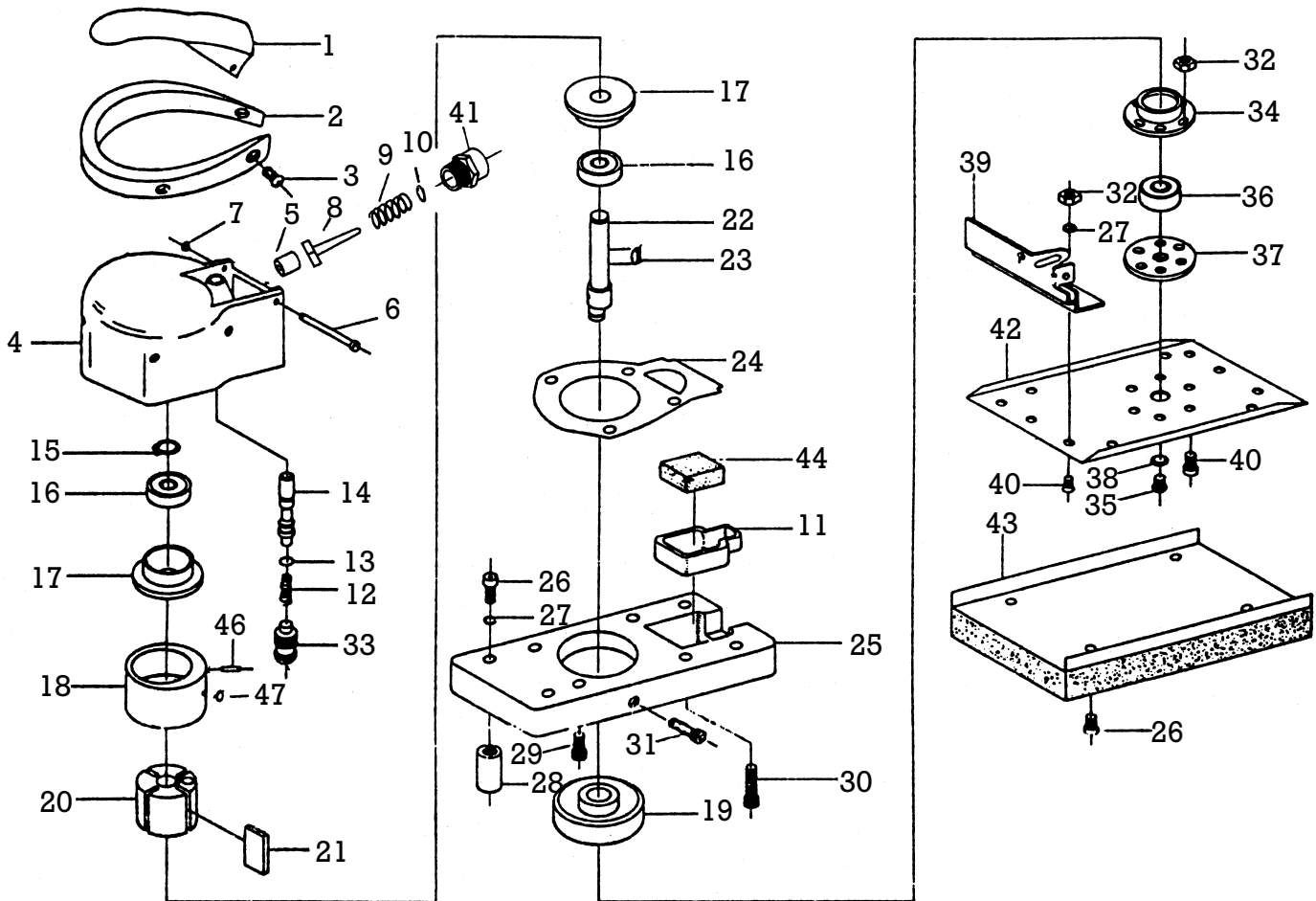


# ORBITAL JITTERBUG SANDER

■ STOCK No.19897. ■ PART No.4208.

## SPARE PARTS LISTING

07/2001



KEY No.	PART No.	STOCK No.	DESCRIPTION
1	Y4208 WR	26019	Lever
2	Y4208 WR	26020	Rubber Grip with Metal Strip
3	Y4208 WR	26021	Grip Screw (4)
4	Y4208 WR	26022	Body
5	Y4208 WR	26023	Res. Bushing
6	Y4208 WR	26024	Lever Pin
7	Y4208 WR	26025	Lever Retainer
8	Y4208 WR	26027	Res. Valve (2)
9	Y4208 WR	26028	O-Ring Res. Spring (2)
10	Y4208 WR	26431	Ret. Ring
11	Y4208 WR	26029	Muffer
12	Y4208 WR	26030	Spring
13	Y4208 WR	26031	O-Ring
14	Y4208 WR	26032	Plunger
15	Y4208 WR	26033	Retaining Ring
16	Y4208 WR	26035	Ball Bearing (2)
17	Y4208 WR	26036	End Plate (2)
18	Y4208 WR	26037	Cylinder with Locking Pin
19	Y4208 WR	26038	Balancer
20	Y4208 WR	26039	Rotor
21	Y4208 WR	26040	Rotor Blade (4)
22	Y4208 WR	26041	Rotor Shaft
23	Y4208 WR	26043	Key
24	Y4208 WR	26044	Gasket

KEY No.	PART No.	STOCK No.	DESCRIPTION
25	Y4208 WR	26045	Base
26	Y4208 WR	26046	Mount Screw (8)
27	Y4208 WR	26047	Spring Washer (8)
28	Y4208 WR	26048	Rubber post (4)
29	Y4208 WR	26049	Cap screw (2)
30	Y4208 WR	26051	Cap Screw (2)
31	Y4208 WR	26052	Balancer Lock Screw
32	Y4208 WR	26053	Nut (12)
33	Y4208 WR	26054	Screw
34	Y4208 WR	26055	Bearing Housing
35	Y4208 WR	26056	Screw
36	Y4208 WR	26057	Ball Bearing
37	Y4208 WR	26058	Bearing Plate
38	Y4208 WR	26059	Washer
39	Y4208 WR	26060	Paper Clamp (2)
40	Y4208 WR	26061	Screw (12)
41	Y4208 WR	26062	Inlet
42	Y4208 WR	26063	Shoe Plate
43	Y4208 WR	26064	Sanding Pad
44	Y4208 WR	26065	Muffer Element
46	Y4208 WR	26067	Spring Pin
47	Y4208 WR	26069	O-Ring