

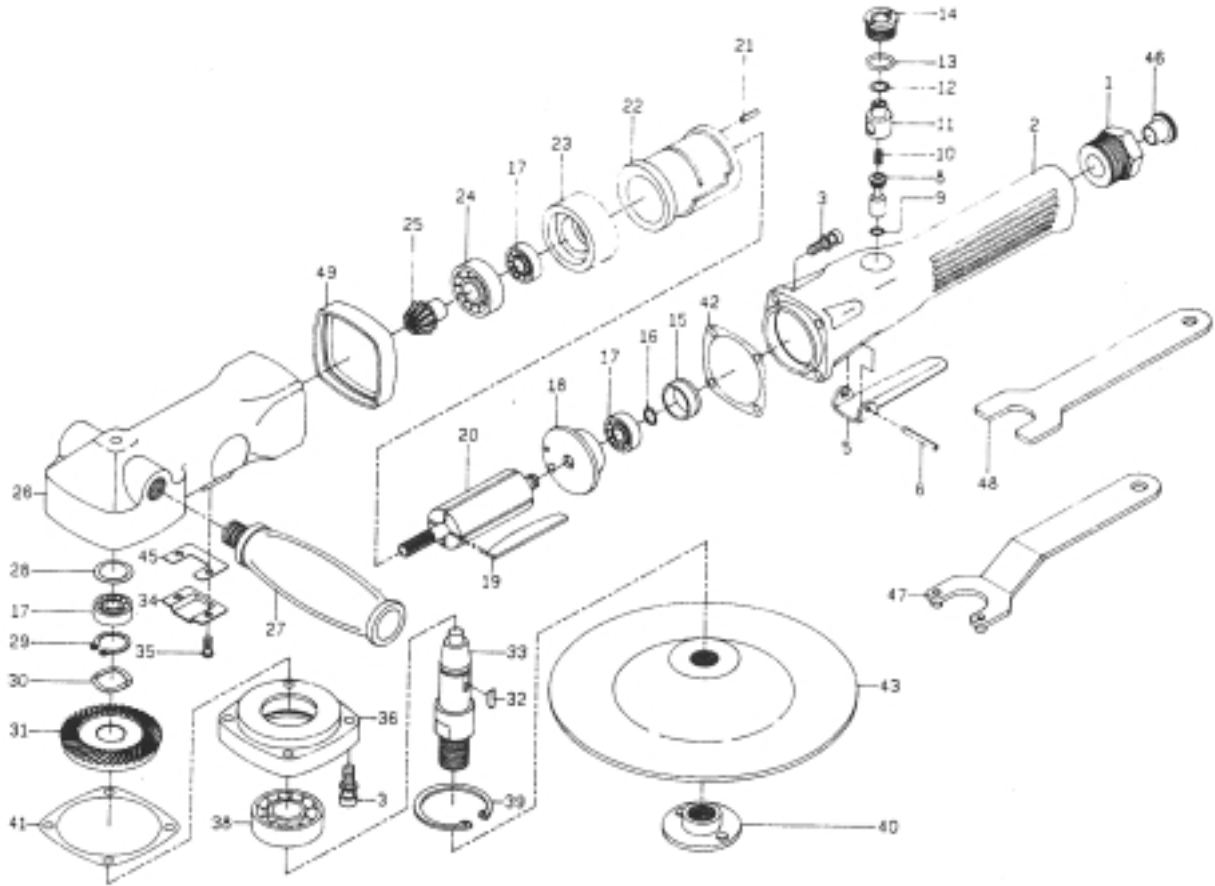
PARTS LISTING

MACHINE: 7" ANGLE SANDER

MACHINE STOCK No.22321.

MACHINE PART No.4257.

07/98



KEY No.	STOCK No.	DESCRIPTION
1	25097	Hose adaptor
2	25098	Valve body
3	25099	Cap screw (8)
5	25101	Lever
6	25102	Spring pin
8	25104	Valve stem
9	25105	O-ring
10	25106	Spring
11	25107	Air regulator
12	25108	O-ring
13	25109	O-ring
14	25110	Valve screw
15	25111	Bearing rubber cap
16	25112	Retaining ring
17	25113	Ball bearing (3)
18	25114	Rear plate
19	25115	Rotor blade (4)
20	26132	Rotor
21	25117	Spring pin
22	25118	Cylinder
23	25120	Front plate
24	25121	Ball bearing
25	26133	Pinion gear

KEY No.	STOCK No.	DESCRIPTION
26	25123	Motor housing
27	25124	Dead handle
28	25125	Bearing plate
29	25126	Retaining ring
30	25127	Wave washer
31	26187	Bevel gear
32	25129	Key
33	25130	Gear shaft
34	25131	Exhaust deflector
35	25132	Screw (2)
36	25133	Housing cap
38	25136	Ball bearing
39	25137	Retaining ring
40	25138	Pad nut
41	25139	Gasket
42	25140	Gasket
43	25141	Pad (plastic)
45	25142	Gasket
46	51715	Plastic cover
47	25143	Disc spanner
48	25144	Stop spanner
49	25145	Rubber

POWER DIVISION HELP LINE: 01703 494344