

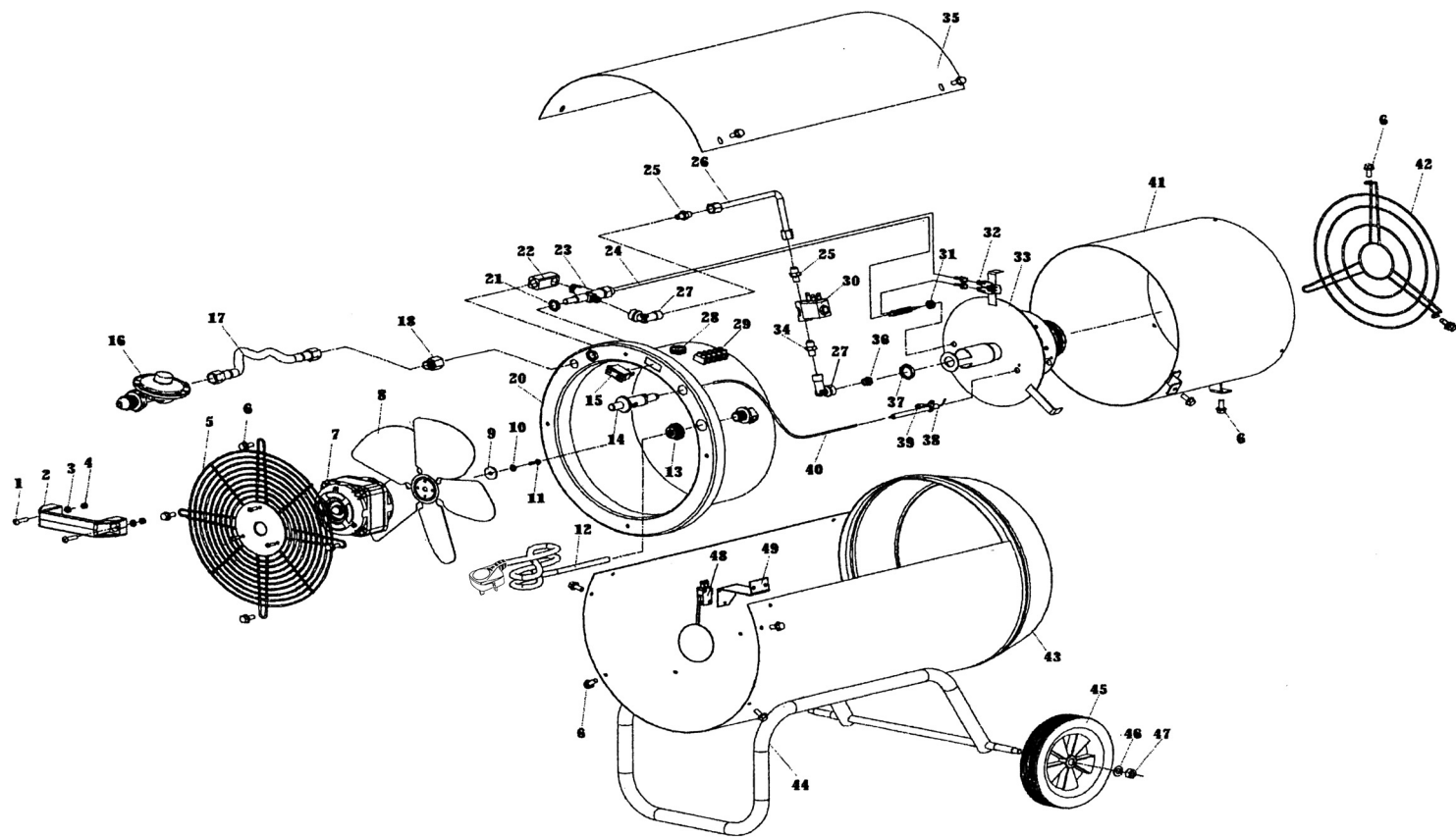


SPARE PARTS DRAWING SHEET FOR

136,000 BTU Propane Space Heater

Stock No.32220

Part No.PSH136B



Helpline: (023) 8049 4344. **Sales Desk:** (023) 8049 4333. **General Enquiries:** (023) 8026 6355.

DRAPER TOOLS LTD, HURSLEY ROAD, CHANDLER'S FORD, EASTLEIGH, HANTS. SO53 1YF. U.K website: www.drapertools.com e-mail: sales@drapertools.com

DBJP190214



SPARE PARTS LISTING SHEET FOR

136,000 BTU Propane Space Heater

Stock No.32220

Part No.PSH136B

KEY No.	PART No.	STOCK No.	DESCRIPTION
1	Y818-200	25165	Screw.
2	Y10-01-03	19881	Handle.
3	Y40-00-02	25166	Washer.
4	Y40-00-03	25270	Nut.
5	Y30-01-04	22202	Inlet grille.
6	Y5285-1985	25288	Bolt.
7	Y30-01-02	22221	Motor assembly.
8	Y30-01-05	22452	Fan.
9	Y40-00-07	25317	Washer.
10	Y93-1987	25329	Washer.
11	Y5783-2000	25491	Screw.
12	Y10-01-04	22233	Plug and cable.
13	Y10-01-07	22234	Cable clamp.
14	Y20-01-09	22235	Piezo-Ignitor.
15	Y20-01-10	22236	On/off switch.
16	Y30-01-47	22237	Regulator.
17	Y20-01-48	22238	Gas hose.
18	Y20-01-11	22239	Nipple.
20	Y30-01-13	22240	Motor mounting housing.
21	Y40-00-14	25492	Nut.
22	Y20-01-15	22241	Elbow.
23	Y10-01-12	22242	Safety gas control valve.
24	Y20-01-49	22243	Thermo-element.
25	Y20-01-17	22244	Nipple.

KEY No.	PART No.	STOCK No.	DESCRIPTION
26	Y66111-40	27862	Gas pipe.
27	Y40-00-19	25493	Elbow.
28	Y20-01-20	22501	Grommit.
29	Y40-00-21	25494	Terminal block.
30	Y10-01-13	19906	Solenoid valve.
31	Y40-00-22	25495	Nut.
32	Y10-01-16	19909	Thermostat.
33	Y30-01-23	22519	Burner assembly.
34	Y20-01-24	22527	Nipple.
35	Y40-01-25	22684	Cover.
36	Y66104-40	27857	Nozzle.
37	Y40-00-28	25496	Nut.
38	Y40-01-29	22733	Ignition electrode.
39	Y845-1985	25497	Screw.
40	Y20-1-40	25536	Cable.
41	Y66110-40	27861	Combustion chamber.
42	Y30-01-31	22577	Outlet grille.
43	Y66107-40	27860	Body assembly.
44	Y40-00-33	25546	Stand frame.
45	Y30-01-34	22593	Wheel.
46	Y97.2-1985	25561	Washer.
47	Y6170-200	25565	Nut.
48	Y20-01-34	22600	Air flow safety switch.
49	Y20-01-35	22676	Switch holder.

Helpline: (023) 8049 4344. Sales Desk: (023) 8049 4333. General Enquiries: (023) 8026 6355.

DRAPER TOOLS LTD, HURSLEY ROAD, CHANDLER'S FORD, EASTLEIGH, HANTS. SO53 1YF. U.K website: www.drapertools.com e-mail: sales@drapertools.com

DBJP190214