



SPARE PARTS LISTING SHEET FOR

230V Chainsaw

Stock No.35484

Part No.CS1500

Stock No.35485

Part No.CS1800

KEY No.	PART No.	STOCK No.	DESCRIPTION
1	YCS-27100047	02259	Chain protection KS.
1.a	YCS-27110997	49111	16" Oregon chain.
1.b	YCS-27111011	49112	14" Oregon chain.
1.c	YCS-27111063	49108	16" bar.
1.d	YCS-27111561	49107	14" bar.
2	YCS-71010033	02260	Gear wheel clutch assembly.
3	YCS-71010041	02261	Chain wheel.
4	YCS-71100055	02262	Pinion cpl.
5	YCS-71200000	02263	Motor housing.
6	YCS-7120010	02264	Gear housing cpl.
7	YCS-71200020	02265	Hand protection.
8	YCS-71200021	02267	Motor cover.
9	YCS-71200022	02268	Screw; motor cover.
10	YCS-71200023	02269	Oil pump.
11	YCS-71200024	02270	Oil hose.
12	YCS-71200025	02271	Connecting piece; oil hose
13	YCS-71200026	02272	Gasket; oil hose.
14	YCS-71200027	02273	Oil tank cpl.
15	YCS-71200028	02274	Tank cap cpl.
16	YCS-71200029	02275	Switch joint.
17	YCS-71200030	02276	Mechanical quick stop assembly.

KEY No.	PART No.	STOCK No.	DESCRIPTION
18	YCS-71200031	02277	Shift linkage.
19	YCS-71200032	02278	Release spring; shift linkage.
20	YCS-71200033	02279	Switch panel.
21	YCS-71200034	02280	Locking button.
22	YCS-71200035	02282	Spring locking button.
23	YCS-71200036	02284	Main switch.
24	YCS-71200037	02285	Brake switch.
25	YCS-71200038	02286	Contact strip.
26	YCS-71200039	02287	Condenser.
27	YCS-71200040	02288	Motor assembly.
28	YCS-71200042	02289	Grommet.
29	YCS-71200043	02290	BS moulded plug & cable.
30	YCS-71200047	02291	Gear wheel cover.
31	YCS-71200048	02292	Hexagon screw M8x25.
32	YCS-71200049	02293	Plate.
33	YCS-71200050	02294	Metal fixing claw.
34	YCS-71200053	02295	Sprocket cover cpl.
35	YCS-71200055	02296	Carbon brush.
36	YCS-71200060	02297	Take-up gear.
37	YCS-71200070	02298	Tension toggle.

Helpline: (023) 8049 4344. Sales Desk: (023) 8049 4333. General Enquiries: (023) 8026 6355.

DRAPER TOOLS LTD, HURSLEY ROAD, CHANDLER'S FORD, EASTLEIGH, HANTS. SO53 1YF. U.K. internet: www.draper.co.uk e-mail: sales@drapertools.com



SPARE PARTS DRAWING SHEET FOR

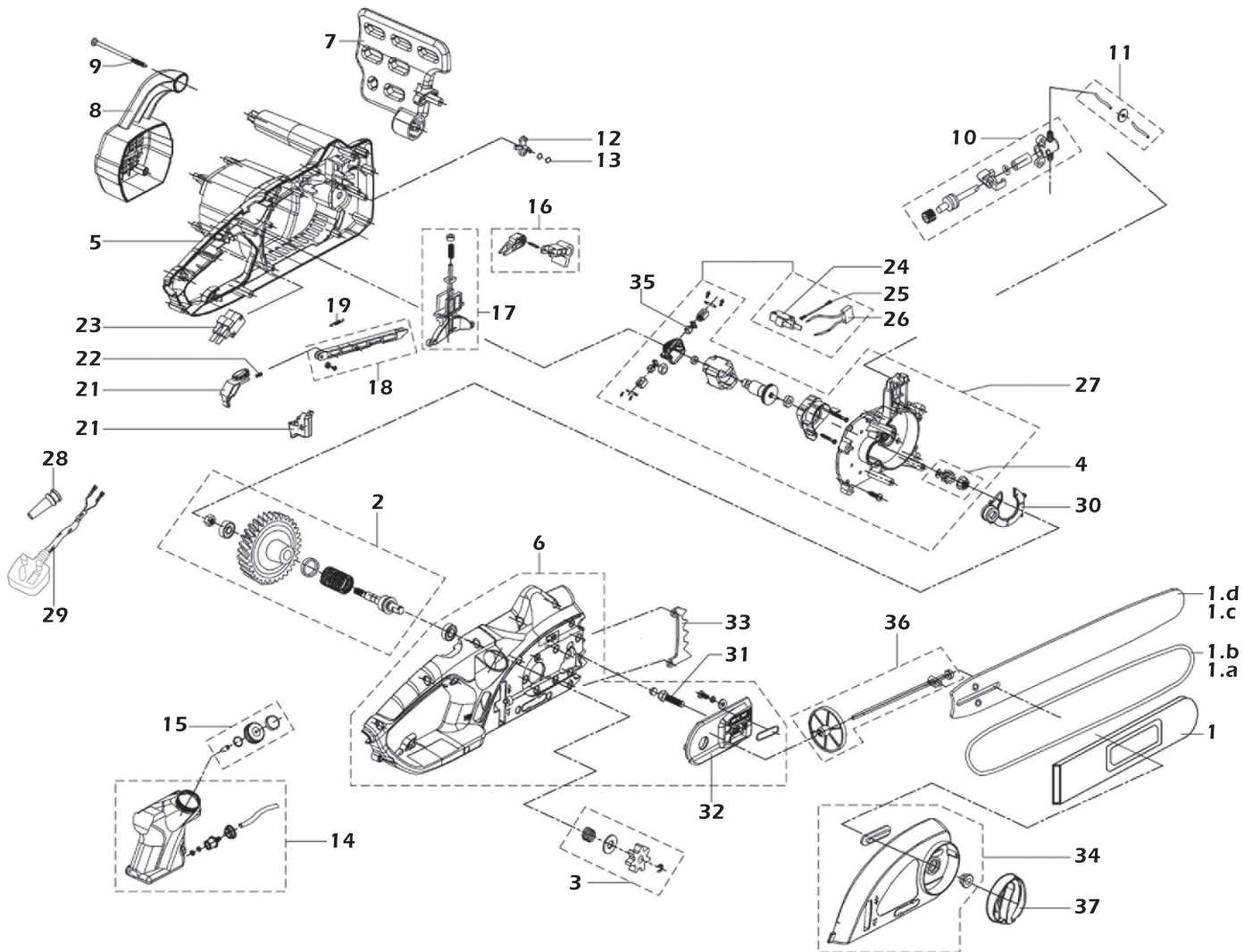
230V Chainsaw

Stock No.35484

Part No.CS1500

Stock No.35485

Part No.CS1800



Helpline: (023) 8049 4344. Sales Desk: (023) 8049 4333. General Enquiries: (023) 8026 6355.

DRAPER TOOLS LTD, HURSLEY ROAD, CHANDLER'S FORD, EASTLEIGH, HANTS. SO53 1YF. U.K. internet: www.drapertools.co.uk e-mail: sales@drapertools.com