

DRAPER[®]

SPARE PARTS LISTING SHEET FOR

30cc Petrol Brush Cutter

Stock No.45577

Part No.GTP3222

KEY No.	PART No.	STOCK No.	DESCRIPTION
01	YGP-351000106180	46035	Hex bolt (6x18).
02	YGP-350300204100	46036	Screw.
03	YGP-320100230030	46037	Spark plug cover.
04	YGP-320100230250	46038	Starter housing.
05	YGP-340700530140	46039	Starter housing assembly.
06	YGP-351000005300	46040	Hex bolt (5x30).
07	YGP-350600000730	46041	Washer.
08	YGP-350600000720	46042	Washer.
09	YGP-339900003410	46043	Starter pulley.
10	YGP-120100230020	46044	Ignition coil.
11	YGP-300500803410	46045	Rear crankcase.
12	YGP-350700000770	46046	Pin (3x10).
13	YGP-350200000520	46047	Oil seal (12x22x7).
14	YGP-350100000010	46048	Bearing (6201).
15	YGP-350200000530	46049	Oil seal (12x32x8).
16	YGP-370100500840	46050	Crankcase gasket.
17	YGP-300500803410	42051	Front crankcase.
18	YGP-340600003020	46053	Cable grommet.
19	YGP-120100234012	46054	Fly wheel.
20	YGP-330400303410	46055	Clutch shoe.
21	YGP-331600003430	46056	Clutch spring.
22	YGP-350600000740	46057	Clutch washer.
23	YGP-350300000540	46058	Bolt.
24	YGP-350600003410	46059	Stop ring.
25	YGP-350600000750	46060	Spring washer.
26	YGP-350500000690	46061	Nut (8x1).
27	YGP-300400003010	46062	Flywheel cover.
28	YGP-340600003010	46063	Cable grommet.
29	YGP-370200500870	46064	Switch cable.
30	YGP-350600001510	46065	Ring.
31	YGP-351000206280	46066	Screw.
32	YGP-351000306200	46067	Screw.
33	YGP-351000005100	46068	Screw.
34	YGP-320100230020	46069	Housing connector.
35	YGP-320100230150	46070	Front housing.

KEY No.	PART No.	STOCK No.	DESCRIPTION
36	YGP-330500334350	46071	Clutch seat.
37	YGP-350100362020	46072	Bearing (6202).
38	YGP-350600003420	46073	Circlip.
39	YGP-330500081540	46074	Clutch hub.
40	YGP-340300530100	46075	Tank cap.
41	YGP-340400503410	46076	Fuel tank.
42	YGP-340600003430	46077	Hose grommet.
43	YGP-340500003470	46078	Outlet fuel pipe.
44	YGP-340500003460	46079	Inlet fuel pipe.
45	YGP-350600104000	46080	Washer.
46	YGP-350300000630	46081	Screw.
47	YGP-120600803410	46082	Fuel filter.
48	YGP-350300000620	46083	Screw assembly.
49	YGP-351000000570	46084	Screw.
51	YGP-120500803010	46085	Muffler set.
52	YGP-370100530100	46086	Muffler gasket.
50	YGP-370200003020	46087	Muffler shield.
53	YGP-350300000650	46088	Screw assembly.
54	YGP-320200003010	46089	Heat shield.
55	YGP-350800000790	46090	Key (3x10).
56	YGP-350600002610	46091	Circlip.
57	YGP-350700030100	46092	Piston pin.
58	YGP-350100002620	46093	Needle bearing.
59	YGP-330100603010	46094	Crankshaft.
60	YGP-330200003210	47613	Piston.
61	YGP-330300003210	47614	Piston ring.
62	YGP-370100500850	46097	Cylinder gasket.
63	YGP-300100003010	47615	Cylinder.
64	AGP58	47043	Spark plug.
65	YGP-351000005200	46099	Screw.
66	YGP-350300304100	46100	Screw.
67	YGP-320100230010	46101	Manifold shield.
68	YGP-370100500820	46102	Inlet manifold gasket.
69	YGP-340201034200	46103	Inlet manifold.
70	YGP-370100500830	46104	Carburetor gasket.

Helpline: (023) 8049 4344. Sales Desk: (023) 8049 4333. General Enquiries: (023) 8026 6355.

DRAPER TOOLS LTD, HURSLEY ROAD, CHANDLER'S FORD, EASTLEIGH, HANTS. SO53 1YF. U.K website: www.drapertools.com e-mail: sales@drapertools.com

KCCH 110912

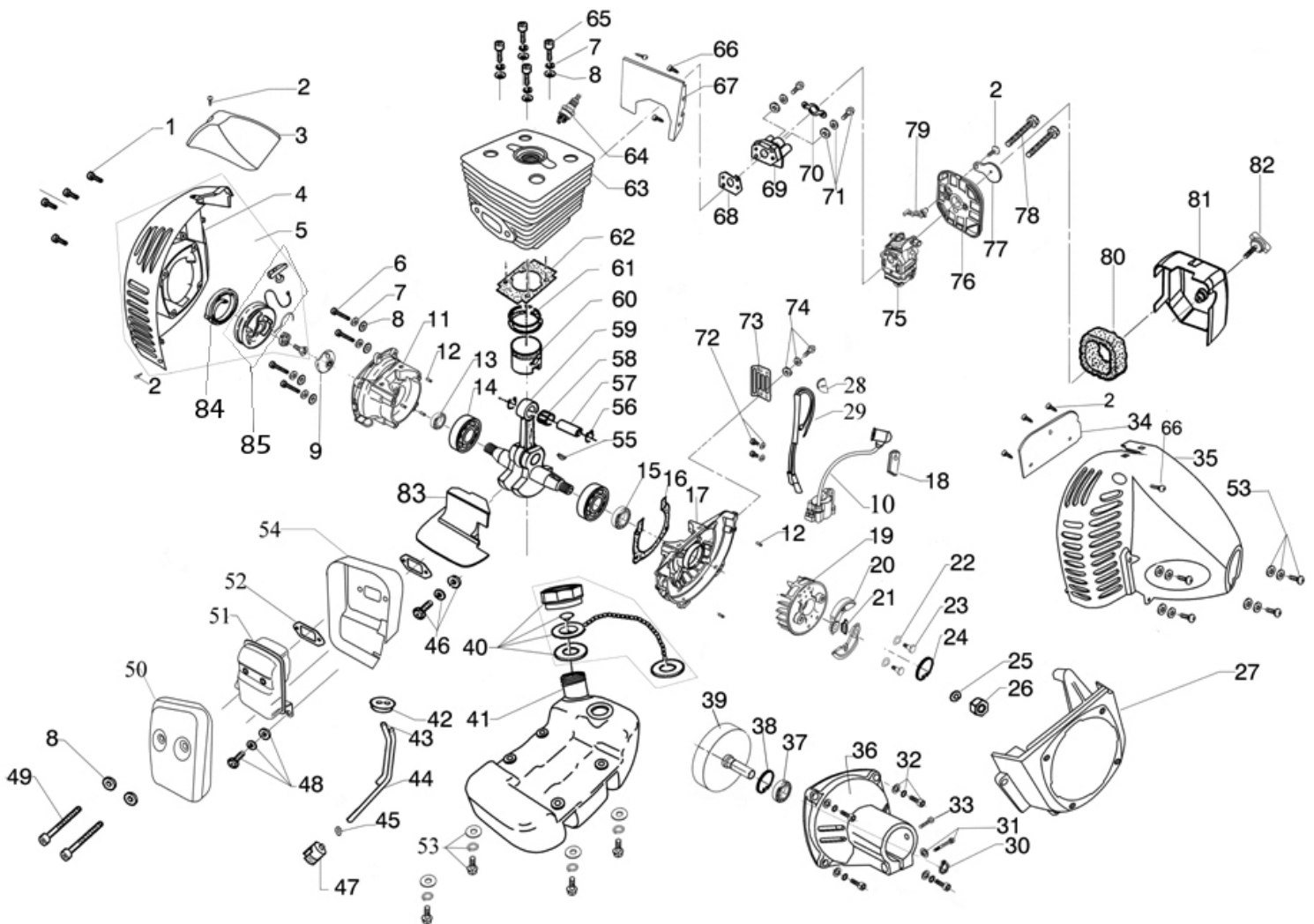


SPARE PARTS DRAWING SHEET FOR

30cc Petrol Brush Cutter

Stock No.45577

Part No.GTP3222



Helpline: (023) 8049 4344. Sales Desk: (023) 8049 4333. General Enquiries: (023) 8026 6355.

DRAPER TOOLS LTD, HURSLEY ROAD, CHANDLER'S FORD, EASTLEIGH, HANTS. SO53 1YF. U.K website: www.drapertools.com e-mail: sales@drapertools.com

DRAPER

SPARE PARTS LISTING SHEET FOR

30cc Petrol Brush Cutter

Stock No.45577

Part No.GTP3222

KEY No.	PART No.	STOCK No.	DESCRIPTION
71	YGP-350300000700	46105	Screw assembly.
72	YGP-350300000710	46106	Screw.
73	YGP-339900003420	46107	Flywheel shield.
74	YGP-350300000610	46108	Screw (5x10).
75	YGP-120300803010	46109	Carburetor.
76	YGP-340100003430	46110	Air cleaner body.
77	YGP-340100003420	46111	Choke valve.
78	YGP-350300000670	46112	Screw (5x50).
79	YGP-340100003410	46113	Choke lever.
80	YGP-349900003410	46114	Air filter.
81	YGP-320300003050	46115	Air filter cover.
82	YGP-350300000560	46116	Screw.
83	YGP-349900003420	46117	Heat insulator.
84	YGP-320100230100	46118	Front cover.
85	YGP61	46039	Pull cord assembly.
100	YGP-341100203350	46119	Ripple tube.
101	YGP-370400220350	47574	Accelerator cable.
102	YGP-332000240340	47575	Flexiable shaft.
103	YGP-341100206600	47576	Nylon pipe.
104	YGP-332000230720	47577	Straight pipe.
105	YGP-350300106100	46121	Screw
106	YGP-332200310350	46122	Harness Clamp
107	YGP-350500106000	46123	Nut.
108	YGP-341200212340	47589	Handle.
109	YGP-350500105000	46149	Nut.
110	YGP-341200211340	47590	D handle.
111	YGP-341103322040	47591	Tube.
112	YGP-351000000580	47592	Screw.
113	YGP-351000206250	47593	Screw.
114	YGP-350600106000	26476	Washer.
115	YGP-350401006280	47594	Screw.
116	YGP-332500325980	47595	Pipe connector.
117	YGP-350500006010	47596	Nut.
118	YGP-350300004100	47597	Screw.
119	YGP-331600304150	47598	Spring.

KEY No.	PART No.	STOCK No.	DESCRIPTION
120	YGP-332200303650	47599	Trigger.
121	YGP-350700203140	47600	Rivet.
122	YGP-332000234680	47601	Straight pipe.
123	YGP-321100310340	47602	Blade guard.
124	YGP-332200304320	47603	Blade guard.
125	YGP-332300361340	47604	Gear case assy.
126	YGP-340600263260	46140	Rubber bush.
127	YGP-341300622344	46151	Safety lever.
128	YGP-341300610340	47605	Left hand handle housing.
129	YGP-331600322340	47583	Spring.
130	YGP-341300624344	46153	Position pin.
131	YGP-350300304130	46155	Screw.
132	YGP-341300611340	47606	Right hand handle housing.
133	YGP-341300613344	47607	Accelerator trigger.
134	YGP-331600312340	46152	Spring.
135	YGP-370600104200	47608	Switch.
136	YGP-350300404040	47609	Screw.
137	YGP-332000211340	47610	Connector.
138	YGP-380300201340	47611	Harness.
139	YGP-340600210400	47612	Blade jacket.
201	YGP-350300304100	46100	Screw.
202	YGP-351000106180	46035	Screw.
203	YGP-332200212340	47578	Guard fix plate.
204	YGP-350300000700	46105	Screw.
205	YGP-332200211340	47579	Nylon cut.
206	YGP-350500105000	46149	Nut.
207	YGP-321100410250	47581	Spool guard.
208	YGP-340600210300	47580	Blade jacket.
209	YGP-340800512340	45787	Spool cover.
210	YGP-340800513340	47586	Spool wheel.
211	YGP-370400001340	47583	Nylon line.
212	YGP-340800516340	47584	Spring washer.
213	YGP-331600510340	47583	Spring.
214	YGP-340800511340	47582	Spool body.

Helpline: (023) 8049 4344. Sales Desk: (023) 8049 4333. General Enquiries: (023) 8026 6355.

DRAPER TOOLS LTD, HURSLEY ROAD, CHANDLER'S FORD, EASTLEIGH, HANTS. SO53 1YF. U.K website: www.drapertools.com e-mail: sales@drapertools.com

KCCH 110912

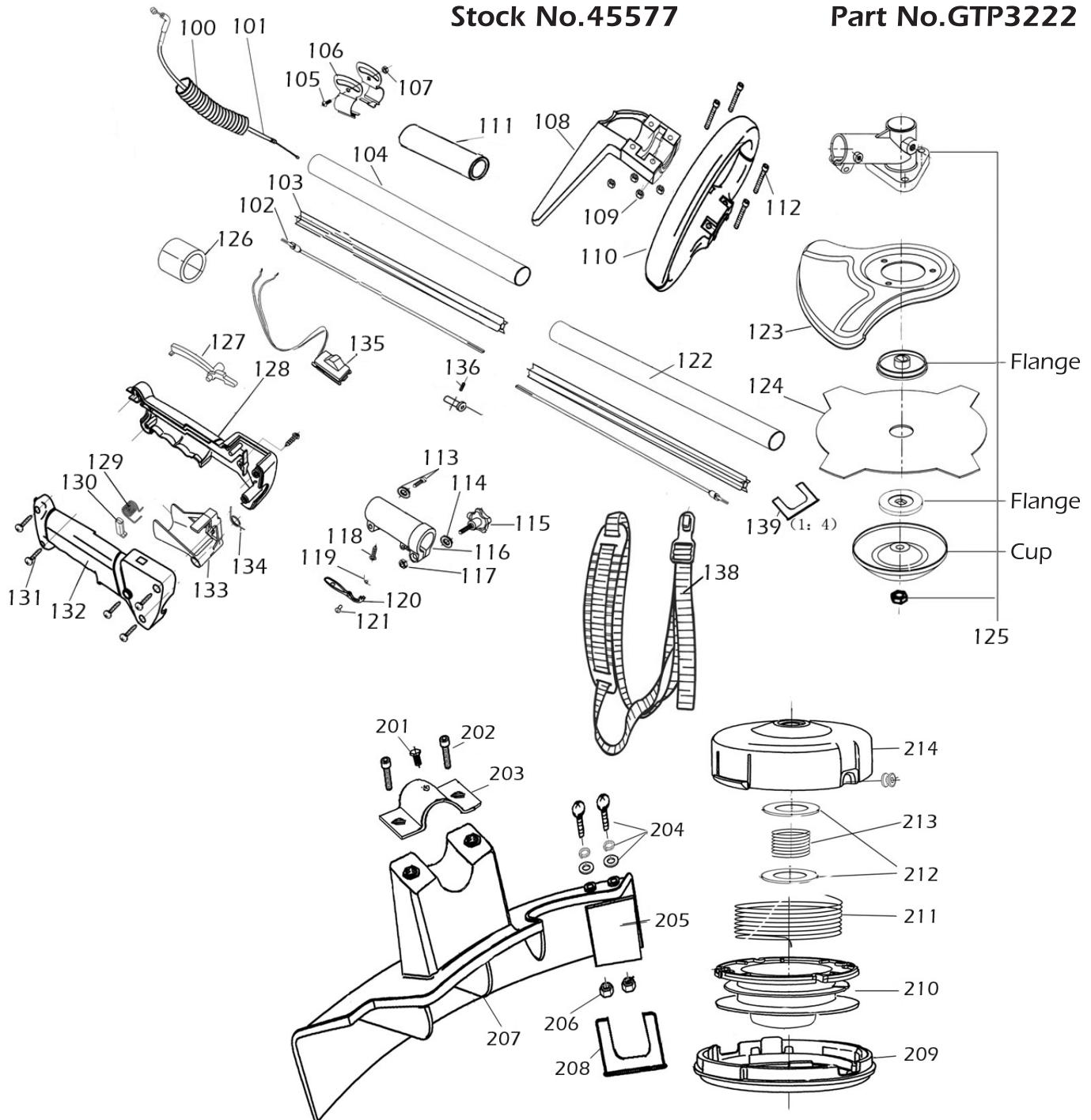


SPARE PARTS DRAWING SHEET FOR

30cc Petrol Brush Cutter

Stock No.45577

Part No.GTP3222



Helpline: (023) 8049 4344. Sales Desk: (023) 8049 4333. General Enquiries: (023) 8026 6355.

DRAPER TOOLS LTD, HURSLEY ROAD, CHANDLER'S FORD, EASTLEIGH, HANTS. SO53 1YF. U.K website: www.drapertools.com e-mail: sales@drapertools.com

KCC1110912