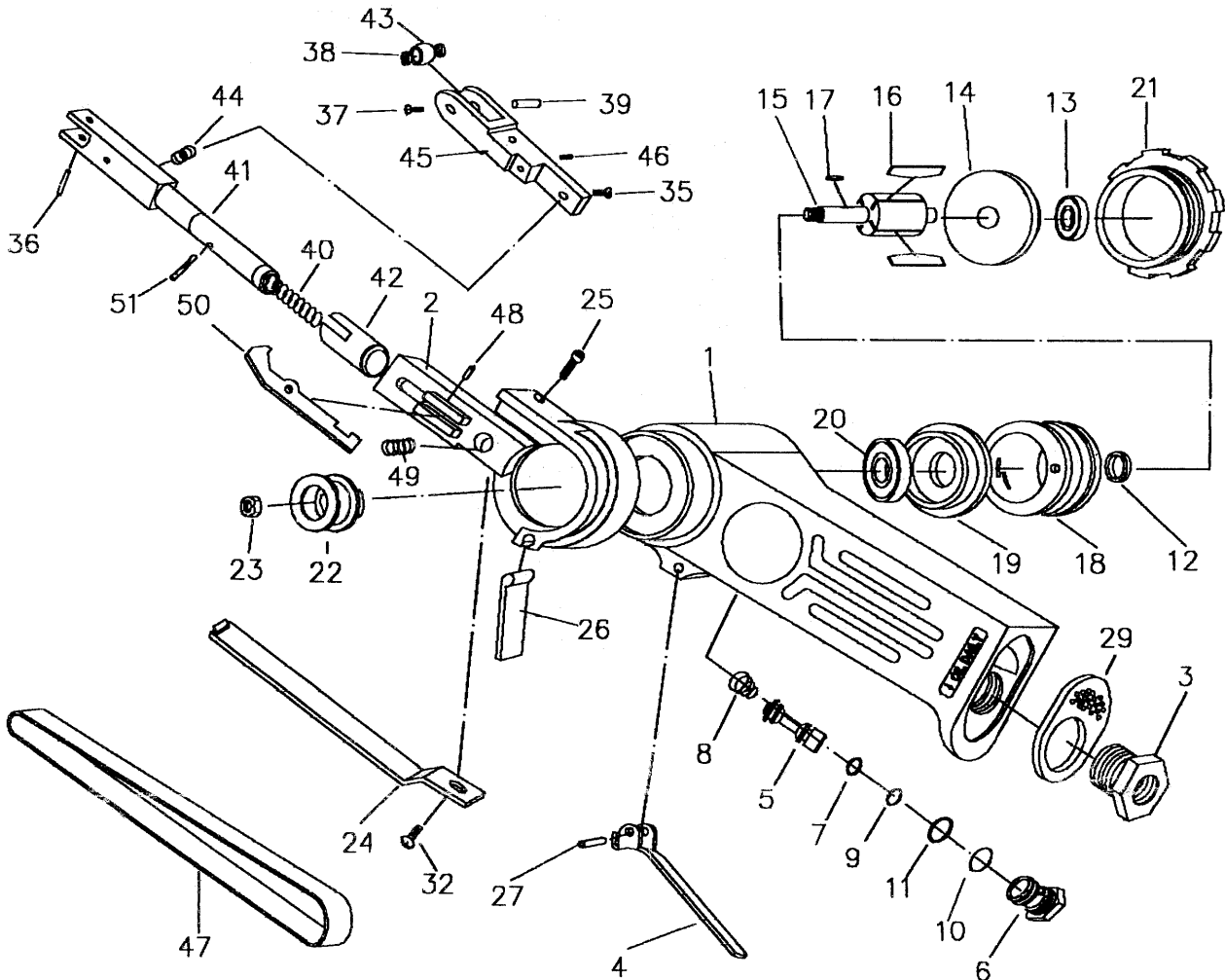


PARTS LISTING

MACHINE: BELT SANDER
MACHINE PART No. 4262A
MACHINE STOCK No. 52605

01/98



KEY No.	PART No.	STOCK No.	DESCRIPTION
1	Y4262A-1	53808	Motor housing
2	Y4262A-2	53809	Guard
3	Y4262A-3	53810	Air inlet
4	Y4262A-4	53811	Lever
5	Y4262A-5	53812	Valve stem
6	Y4262A-6	53813	Valve
7	Y4262A-7	53814	O-Ring
8	Y4262A-8	53815	Spring
9	Y4262A-9	53816	O-Ring
10	Y4262A-10	53817	O-Ring
11	Y4262A-11	53818	O-Ring
12	Y4262A-12	53819	Spacer
13	Y4262A-13	53820	Ball bearing
14	Y4262A-14	53821	Rear end plate
15	Y4262A-15	53822	Rotor
16	Y4262A-16	53823	Rotor blade
17	Y4262A-17	53824	Key
18	Y4262A-18	53825	Cylinder
19	Y4262A-19	53826	Front end plate
20	Y4262A-20	53827	Ball bearing
21	Y4262A-21	53828	Cap
22	Y4262A-22	53829	Drive pulley
23	Y4262A-23	53830	Nut
24	Y4262A-24	53831	Shoe

KEY No.	PART No.	STOCK No.	DESCRIPTION
25	Y4262A-25	53832	Bolt
26	Y4262A-26	53833	Dust cover
27	Y4262A-27	53834	Spring pin
29	Y4262A-29	53835	Exhaust Deflector
32	Y4262A-32	53836	Screw
35	Y4262A-35	53837	Screw
36	Y4262A-36	53838	Spring pin
37	Y4262A-37	53839	Screw
38	Y4262A-38	53840	Ball bearing
39	Y4262A-39	53841	Idle pulley shaft
40	Y4262A-40	53842	Spring
41	Y4262A-41	53843	Tension bar
42	Y4262A-42	53844	Bushing
43	Y4262A-43	53845	Idle pulley
44	Y4262A-44	53846	Spring
45	Y4262A-45	53847	Bracket
46	Y4262A-46	53848	Screw
47	See Draper Catalogue		Sanding belt
48	Y4262A-48	53850	Spring pin
49	Y4262A-49	53851	Spring
50	Y4262A-50	53852	Safety lever
51	Y4262A-51	53853	Lock pin