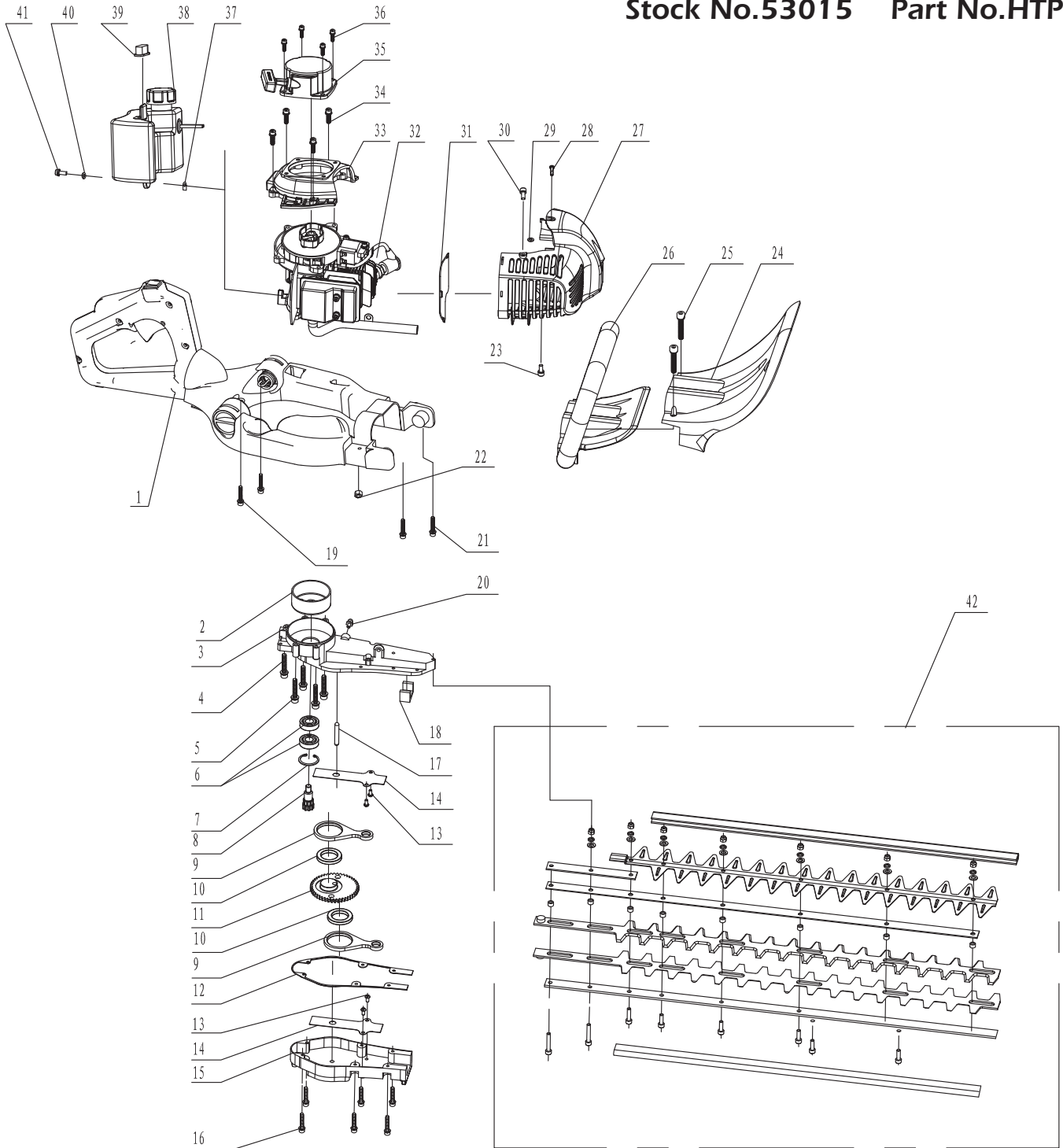




SPARE PARTS DRAWING SHEET FOR

25.4cc 550mm Petrol Hedge Trimmer

Stock No.53015 Part No.HTP254



Helpline: (023) 8049 4344. Sales Desk: (023) 8049 4333. General Enquiries: (023) 8026 6355.

DRAPER TOOLS LTD, HURSLEY ROAD, CHANDLER'S FORD, EASTLEIGH, HANTS. SO53 1YF. U.K website: www.drapertools.com e-mail: sales@drapertools.com

RDKC220414



SPARE PARTS LISTING SHEET FOR

26cc 550mm Petrol Hedge Trimmer

Stock No.53015 Part No.HTP254

KEY No.	PART No.	STOCK No.	DESCRIPTION
1	YGP-HTP254-48	54629	Rear handle / base assembly
2	YGP-HTP254-49	54640	Clutch cover
3	YGP-HTP254-50	54649	Gear case
4	YGP-HTP254-43	54595	M5 x 20 Screw
5	YGP-HTP254-43	54595	M5 x 20 Screw
6	YGP-HTP254-51	54652	Bearing 6805-2Z
7	YGP-HTP254-52	54654	28 Clip
8	YGP-HTP254-53	54659	Small gearwheel
9	YGP-HTP254-54	54661	Blade crankshaft
10	YGP-HTP254-51	54652	Bearing 6805-2Z
11	YGP-HTP254-55	54662	Eccentric gearwheel
12	YGP-HTP254-56	54663	Gear case gasket
13	YGP-HTP254-57	54664	M4 x 8 Hexagon head screws
14	YGP-HTP254-58	54681	Anti washer
15	YGP-HTP254-59	54697	Gear case cover
16	YGP-HTP254-60	54701	M5 x 16 Screw
17	YGP-HTP254-61	54702	Round pin 6 x 38
18	YGP-HTP254-62	54703	Wool gasket
19	YGP-HTP254-43	54595	M5 x 20 Screw
20	YGP-HTP254-63	54704	M6 Grease nipple
21	YGP-HTP254-60	54701	M5 x 16 Screw

KEY No.	PART No.	STOCK No.	DESCRIPTION
22	YGP-HTP254-64	54705	M6 Insert locknuts
23	YGP-HTP254-18	54532	M4 x 16 Screw
24	YGP-HTP254-65	54706	Transparent cover
25	YGP-HTP254-66	54707	M6 x 30 Screw
26	YGP-HTP254-67	54708	Handle
27	YGP-HTP254-68	54709	Engine cover
28	YGP-HTP254-69	54710	ST4.2 x 10-H-F Screw
29	YGP-HTP254-70	54711	Ignition coil insulation pad
30	YGP-HTP254-46	54626	M5 x 12 Screw
31	YGP-HTP254-71	54713	Cylinder cover guides
33	YGP-HTP254-72	54720	Upper cover
34	YGP-HTP254-43	54595	M5 x 20 Screw
35	YGP-HTP254-73	54724	Easy-start starter assembly
36	YGP-HTP254-18	54532	M4 x 16 Screw
37	YGP-HTP254-74	54725	Tank insulation pads
38	YGP-HTP254-75	54726	Fuel tank assembly
39	YGP-HTP254-76	54727	Tank damping rubber
40	YGP-HTP254-77	54730	Flat washer 5 x 15 x 1
41	YGP-HTP254-60	54701	M5 x 16 Screw
42	YGP-HTP254-78	54731	Blade assembly 550mm cut length

Helpline: (023) 8049 4344. Sales Desk: (023) 8049 4333. General Enquiries: (023) 8026 6355.

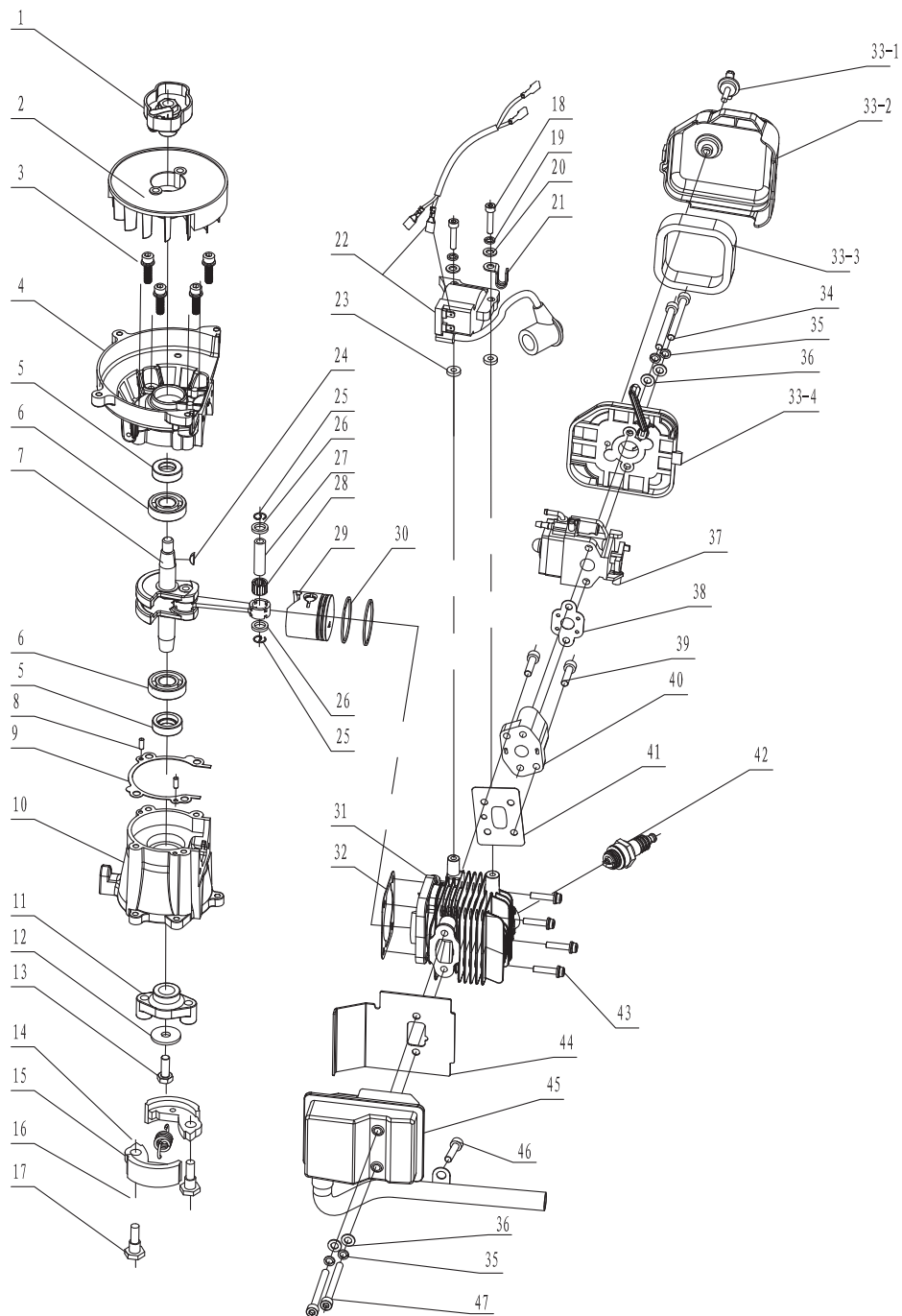
DRAPER TOOLS LTD, HURSLEY ROAD, CHANDLER'S FORD, EASTLEIGH, HANTS. SO53 1YF. U.K website: www.drapertools.com e-mail: sales@drapertools.com



SPARE PARTS DRAWING SHEET FOR

25.4cc 550mm Petrol Hedge Trimmer

Stock No.53015 Part No.HTP254



Helpline: (023) 8049 4344. Sales Desk: (023) 8049 4333. General Enquiries: (023) 8026 6355.

DRAPER TOOLS LTD, HURSLEY ROAD, CHANDLER'S FORD, EASTLEIGH, HANTS. SO53 1YF. U.K website: www.drapertools.com e-mail: sales@drapertools.com



SPARE PARTS LISTING SHEET FOR

25.4cc 550mm Petrol Hedge Trimmer

Stock No.53015 Part No.HTP254

KEY No.	PART No.	STOCK No.	DESCRIPTION
1	YGP-HTP254-01	54515	Starter catch plate assembly
2	YGP-HTP254-02	54516	Fly wheel
3	YGP-HTP254-03	54517	M5 x 30 Screw
4	YGP-HTP254-04	54518	Upper crankcase shaft
5	YGP-HTP254-05	54519	Oil seal TC12 x 22 x 7
6	YGP-HTP254-06	54520	Bearing 6001
7	YGP-HTP254-07	54521	Crankshaft assembly
8	YGP-HTP254-08	54522	Round pin B4 x 10
9	YGP-HTP254-09	54524	Crankshaft gasket
10	YGP-HTP254-10	54525	Lower crankshaft case
11	YGP-HTP254-11	54526	Clutch base
12	YGP-HTP254-12	54527	Flat washer 6.1 x 15 x 1.2
13	YGP-HTP254-13	54528	M4 x 16 Screw
14	YGP-HTP254-14	54527	Flat washer 6.1 x 15 x 1.2
15	YGP-HTP254-15	54529	Clutch
16	YGP-HTP254-16	54530	Wave washer
17	YGP-HTP254-17	54531	Screw axis
18	YGP-HTP254-18	54532	M4 x 16 Screw
19	YGP-HTP254-19	54533	Spring washer 4
20	YGP-HTP254-20	54534	Flat washer 4
21	YGP-HTP254-21	54535	Hanging plate
22	YGP-HTP254-22	54536	Ignition coil assembly
23	YGP-HTP254-23	54537	Ignition coil insulation pad
24	YGP-HTP254-24	54538	Half round key 3 x 10 x 3.7
25	YGP-HTP254-25	54539	Piston pin check ring

KEY No.	PART No.	STOCK No.	DESCRIPTION
26	YGP-HTP254-26	54540	Needle bearing check ring
27	YGP-HTP254-27	54541	Piston pin
28	YGP-HTP254-28	54542	Needle bearing KBK8119
29	YGP-HTP254-29	54543	Piston
30	YGP-HTP254-30	54544	Piston ring
31	YGP-HTP254-31	54545	Cylinder
32	YGP-HTP254-32	54546	Cylinder gasket
33-1	YGP-HTP254-33-1	54547	Air Filter Assembly
33-2	YGP-HTP254-33-2	54548	Air filter sponge
33-3	YGP-HTP254-33-3	54549	Air filter outer cover
33-4	YGP-HTP254-33-4	54560	Air filter inner cover assembly
34	YGP-HTP254-34	54565	M5 x 55 Screw
35	YGP-HTP254-35	54573	Spring washer 5
36	YGP-HTP254-36	54575	Flat washer 5
37	YGP-HTP254-37	54576	Carburetor
38	YGP-HTP254-38	54583	Carburetor gasket
39	YGP-HTP254-39	54595	M5 x 20 Screw
40	YGP-HTP254-40	54611	Inlet pipe
41	YGP-HTP254-41	54613	Inlet gasket
42	YGP-HTP254-42	54615	Spark plug BM6A
43	YGP-HTP254-43	54595	M5 x 20 Screw
44	YGP-HTP254-44	54618	Muffler gasket
45	YGP-HTP254-45	54622	Muffler
46	YGP-HTP254-46	54626	M5 x 12 Screw
47	YGP-HTP254-47	54628	M5 x 55 Screw

Helpline: (023) 8049 4344. Sales Desk: (023) 8049 4333. General Enquiries: (023) 8026 6355.

DRAPER TOOLS LTD, HURSLEY ROAD, CHANDLER'S FORD, EASTLEIGH, HANTS. SO53 1YF. U.K website: www.drapertools.com e-mail: sales@drapertools.com