

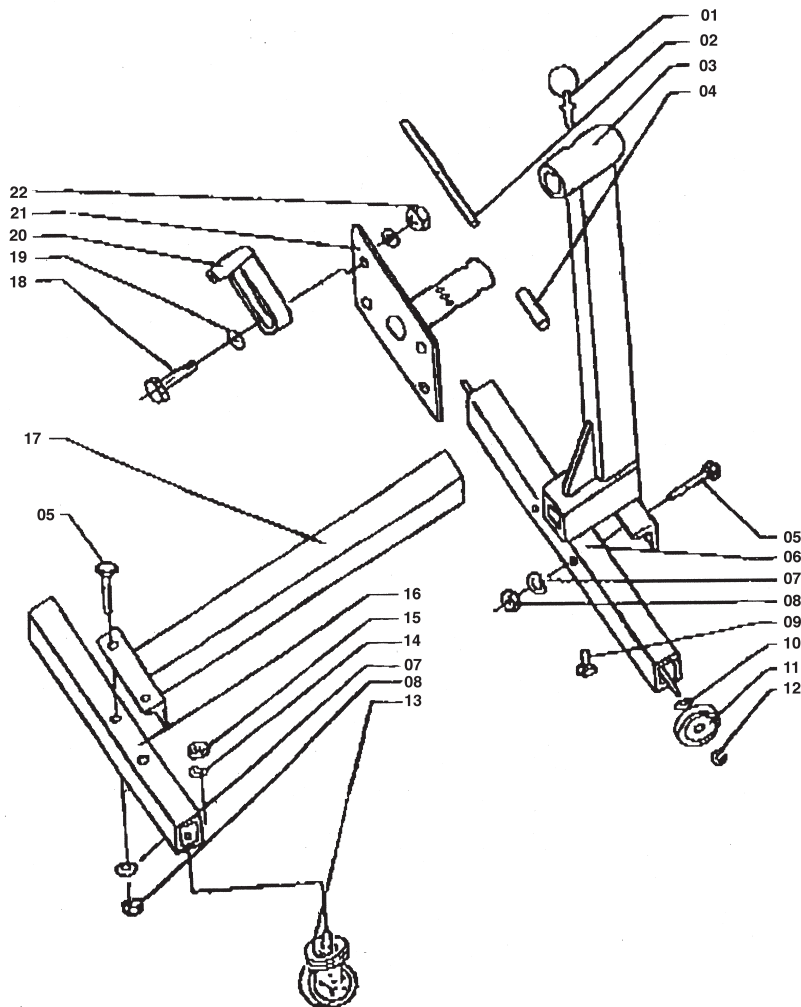


SPARE PARTS DRAWING SHEET FOR

Engine Stand - 450kg

Stock No.53092

Part No.ES450



KEY No.	PART No.	STOCK No.	DESCRIPTION
1	YES450-1	53522	Bolt.
2	YES450-2	53523	Handle.
3	YES450-3	53524	Vertical support.
4	YES450-4	53525	Grip.
5	YES450-5	53526	M10x75 bolt.
6	YES450-6	53527	Cross beam.
7	YES450-7	53529	ø 10 Spring washer.
8	YES450-8	53530	M10 nut.
9	YES450-9	53531	M12x25 bolt.
10	YES450-10	53532	ø 14 Washer.
11	YES450-11	53533	Rear wheel.

KEY No.	PART No.	STOCK No.	DESCRIPTION
12	YES450-12	53534	'C' clip.
13	YES450-13	53535	3" Universal wheel.
14	YES450-14	53537	ø 12 Spring washer.
15	YES450-15	53538	M12 Nut.
16	YES450-16	53539	Cross beam.
17	YES450-17	53540	Centre beam.
18	YES450-18	53541	M16x65 bolt.
19	YES450-19	53542	ø 16 Washer.
20	YES450-20	53543	Support.
21	YES450-21	53545	Mounting plate.
22	YES450-22	53546	M16 nut

Helpline: (023) 8049 4344. Sales Desk: (023) 8049 4333. General Enquiries: (023) 8026 6355.

DRAPER TOOLS LTD, HURSLEY ROAD, CHANDLER'S FORD, EASTLEIGH, HANTS. SO53 1YF. U.K. Website: www.drapertools.com e-mail: sales@drapertools.com