

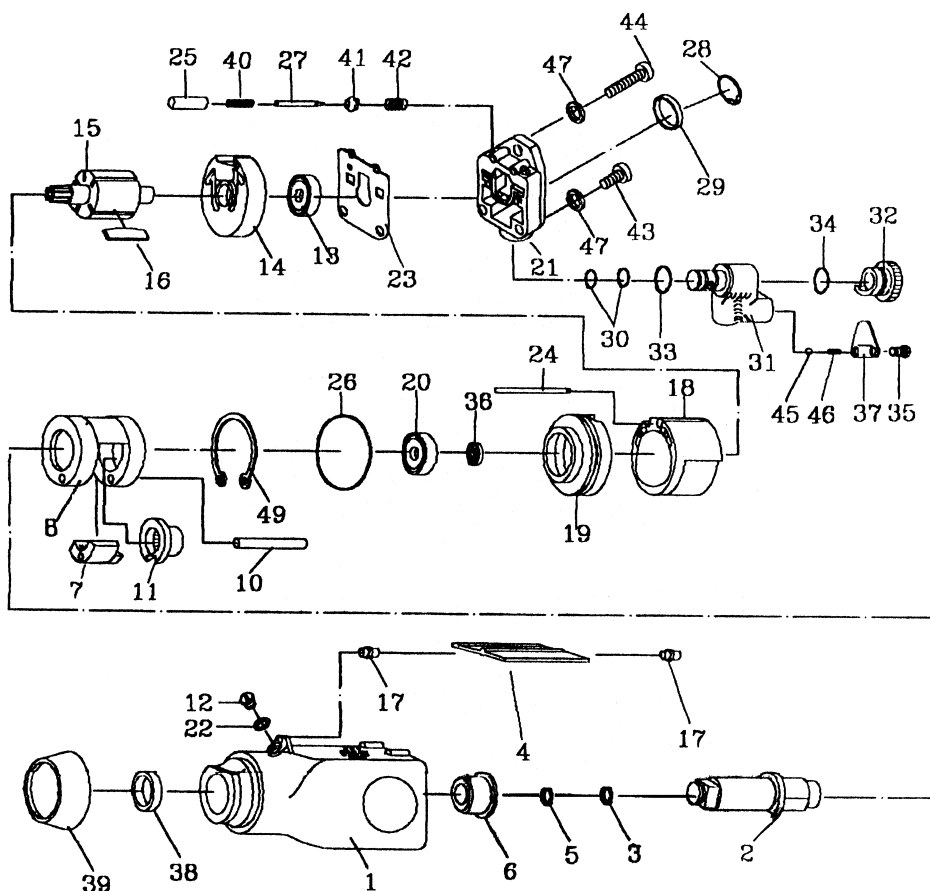
PARTS LISTING

MACHINE: 3/8" BUTTERFLY IMPACT WRENCH

MACHINE STOCK No.55110.

MACHINE PART No.4248A.

03/98



KEY No.	PART No.	STOCK No.	DESCRIPTION
1	Y4248A-1	55131	Motor housing
2	Y4248A-2	55132	Anvil
3	Y4248A-3	55133	Socket retainer ring
4	Y4248A-4	55134	Throttle lever
5	Y4248A-5	55135	O-ring
6	Y4248A-6	55136	Anvil bushing
7	Y4248A-7	55137	Hammer
8	Y4248A-8	55138	Hammer cage
10	Y4248A-10	55139	Hammer pin
11	Y4248A-11	55140	Cam
12	Y4248A-12	55141	Oiler screw
13	Y4248A-13	55142	Ball bearing
14	Y4248A-14	55143	Rear end plate
15	Y4248A-15	55144	Rotor
16	Y4248A-16	55145	Rotor blade
17	Y4248A-17	55146	Throttle pin
18	Y4248A-18	55147	Cylinder
19	Y4248A-19	55148	Front end plate
20	Y4248A-20	55149	Ball bearing
21	Y4248A-21	55150	Back cap
22	Y4248A-22	55151	O-ring
23	Y4248A-23	55154	Back cap gasket
24	Y4248A-24	55155	Motor pin
25	Y4248A-25	55156	Plunger

KEY No.	PART No.	STOCK No.	DESCRIPTION
26	Y4248A-26	55157	O-ring
27	Y4248A-27	55158	Valve
28	Y4248A-28	55165	Snap ring
29	Y4248A-29	55166	Washer
30	Y4248A-30	55167	O-ring
31	Y4248A-31	55168	Air inlet block
32	Y4248A-32	55169	Regulator
33	Y4248A-33	55170	O-ring
34	Y4248A-34	55171	O-ring
35	Y4248A-35	55172	Screw
36	Y4248A-36	55173	Oil seal
37	Y4248A-37	55174	Retainer plate
38	Y4248A-38	55175	Oil seal
39	Y4248A-39	55176	Rubber nose guard
40	Y4248A-40	55178	Plunger spring
41	Y4248A-41	55179	Valve seat
42	Y4248A-42	55180	Valve spring
43	Y4248A-43	55181	Cap screw short
44	Y4248A-44	55182	Cap screw long
45	Y4248A-45	55183	Steel ball
46	Y4248A-46	55184	Spring
47	Y4248A-47	55185	Lock washer
49	Y4248A-49	55186	Retaining ring

POWER DIVISION HELP LINE: 01703 494344