

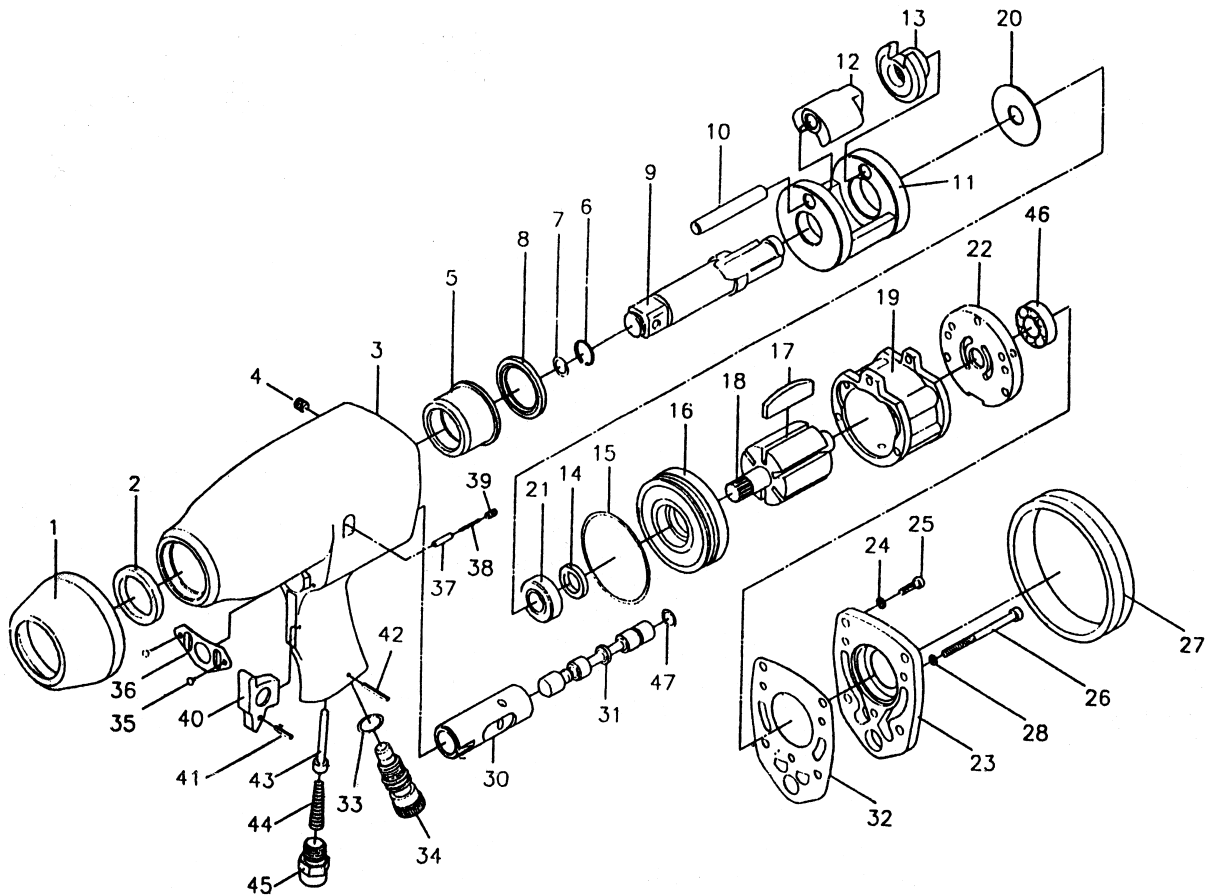
PARTS LISTING

MACHINE: 3/4" AIR IMPACT WRENCH

MACHINE STOCK No.55112.

MACHINE PART No.4229A.

03/98



KEY No.	PART No.	STOCK No.	DESCRIPTION
1	Y4229A-1	25711	Protecting rubber
2	Y4229A-2	21728	Oil seal
3	Y4229A-3	21279	Housing
4	Y4229A-4	25712	Screw
5	Y4229A-5	21730	Anvil bushing
6	Y4229A-6	21731	Anvil collar
7	Y4229A-7	21732	O-ring
8	Y4229A-8	25714	Spacer
9	Y4229A-9	21733	Anvil
10	Y4229A-10	21734	Hammer pin
11	Y4229A-11	25715	Hammer cage
12	Y4229A-12	21735	Hammer
13	Y4229A-13	21736	Cam
14	Y4229A-14	21737	Oil seal
15	Y4229A-15	21738	O-ring
16	Y4229A-16	21739	Front end plate
17	Y4229A-17	21740	Rotor blade
18	Y4229A-18	21741	Rotor
19	Y4229A-19	21742	Cylinder
20	Y4229A-20	21743	Washer
21	Y4229A-21	21744	Ball bearing
22	Y4229A-22	21745	Rear end plate
23	Y4229A-23	21716	Rear cover

KEY No.	PART No.	STOCK No.	DESCRIPTION
24	Y4229A-24	25717	Washer
25	Y4229A-25	25718	Screw
26	Y4229A-26	25719	Screw
27	Y4229A-27	25720	Protecting rubber
28	Y4229A-28	25722	Washer
30	Y4229A-30	21746	Valve sleeve
31	Y4229A-31	21747	Reverse valve
32	Y4229A-32	21748	Rear gasket
33	Y4229A-33	25724	O-ring
34	Y4229A-34	25725	Air regulator
35	Y4229A-35	25726	Screw
36	Y4229A-36	25727	Exhaust deflector
37	Y4229A-37	25728	Pin
38	Y4229A-38	25729	Spring
39	Y4229A-39	25730	Screw
40	Y4229A-40	21749	Trigger
41	Y4229A-41	25731	Pin
42	Y4229A-42	25732	Pin
43	Y4229A-43	25733	Valve stem
44	Y4229A-44	21750	Spring
45	Y4229A-45	25734	Hose adaptor
46	Y4229A-46	21751	Ball bearing
47	Y4229A-47	55206	O-ring

POWER DIVISION HELP LINE: 01703 494344