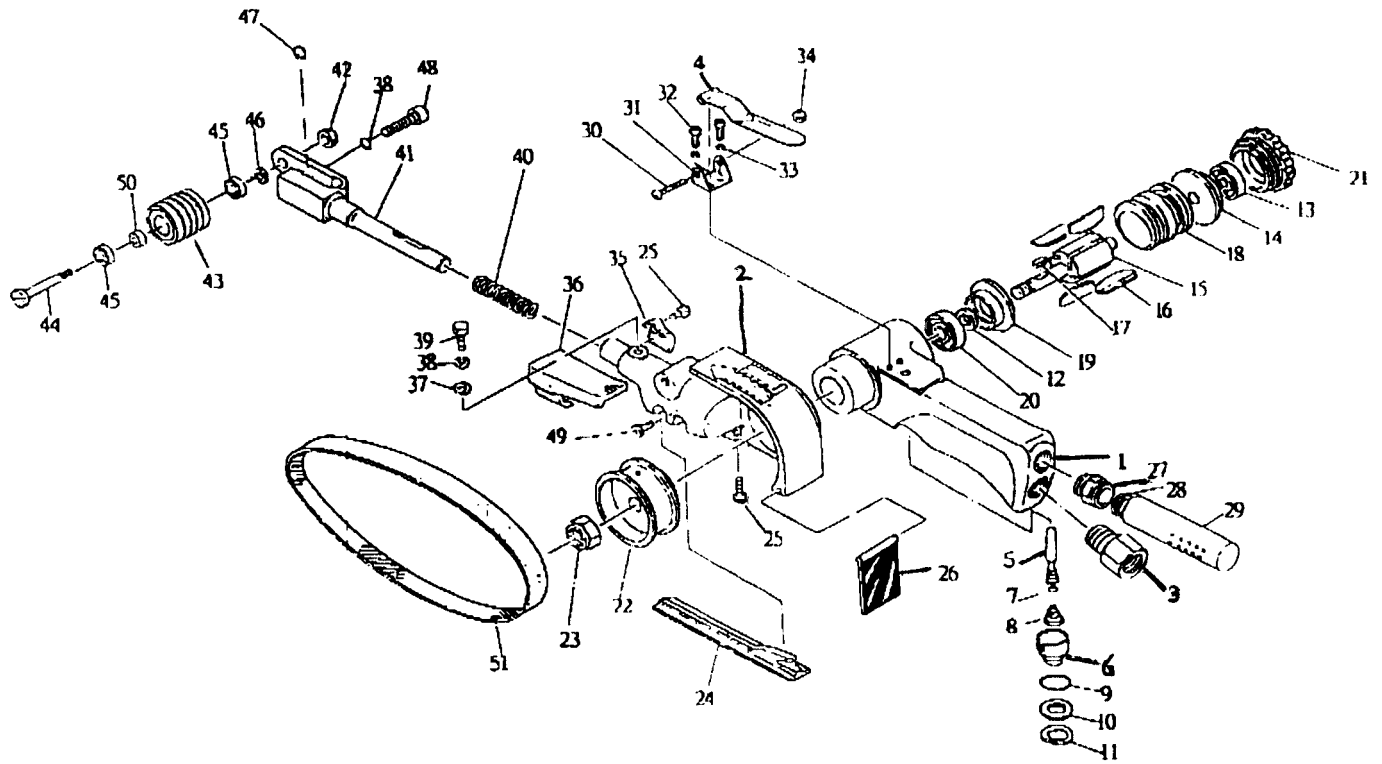


PARTS LISTING

MACHINE: AIR BELT SANDER.
 MACHINE STOCK No.61025.
 MACHINE PART No.4265.

04/2000



KEY No.	PART No.	STOCK No.	DESCRIPTION
1	Y62001	61891	Housing
2	Y62002	61892	Guard body
3	Y62003	61893	Air inlet
4	Y62004	61894	Lever
5	Y62005	61895	Valve stem
6	Y62006	61896	Adjust valve
7	Y62007	61897	O ring
8	Y62008	61898	Spring
9	Y62009	61899	O ring
10	Y62010	61900	Spacer
11	Y62011	61901	Retaining ring
12	Y62012	61902	Distance collar
13	Y62013	61903	Ball bearing
14	Y62014	61904	Rear end plate
15	Y62015	61905	Rotor
16	Y62016	61906	Blade (4 pcs/set)
17	Y62017	61907	Sunk key
18	Y62018	61908	Cylinder
19	Y62019	61909	Front end plate
20	Y62020	61910	Ball bearing
21	Y62021	61911	Cap
22	Y62022	61912	Drive pulley
23	Y62023	61913	Hexagon nut
24	Y62024	61914	Flat shoe
25	Y62025	61915	Hexagon socket head bolt
26	Y62026	61916	Dust cover

KEY No.	PART No.	STOCK No.	DESCRIPTION
27	Y62027	61917	Nipple
28	Y62028	61918	Spring
29	Y62029	61919	Silencer
30	Y62030	61920	Cross recessed pan head screw
31	Y62031	61921	Lever support
32	Y62032	61922	Cross recessed pan head screw
33	Y62033	61923	Spring washer
34	Y62034	61924	Hexagon nut
35	Y62035	61925	Bushing
36	Y62036	61926	Finger pad
37	Y62037	61927	Washer
38	Y62038	61928	Spring washer
39	Y62039	61929	Screw
40	Y62040	61930	Spring
41	Y62041	61931	Arm
42	Y62042	61932	Nut
43	Y62043	61933	Idle pulley
44	Y62044	61934	Shaft
45	Y62045	61935	Ball bearing
46	Y62046	61936	Spacer
47	Y62047	61937	Retaining ring
48	Y62048	61938	Bolt
49	Y62049	61939	Bolt
50	Y62050	61940	Spacer
51	Y62051	61941	Grinding belt

POWER DIVISION HELPLINE: (023) 8049 4344