

**DRAPER**<sup>®</sup>

SPARE PARTS LISTING SHEET FOR  
**49.3cc 500mm**  
**Petrol Chainsaw**

Stock No.75188

Part No.CSP52500

KEY No.	PART No.	STOCK No.	DESCRIPTION
1	Y-CSP45450-01	75461	Shoe block
2	Y-CSP45450-02	75462	Retainer
3	Y-CSP45450-03	75463	Clutch spring
4	Y-CSP45450-04	75464	Tightener
5	Y-CSP45450-05	75465	Tightener screw
6	Y-CSP45450-06	75466	Tightener gear wheel
7	Y-CSP45450-07	75467	Brake spring cover
8	Y-CSP45450-08	75468	Screw st4.2x8-h-f
9	Y-CSP45450-09	75469	Washer 6
10	Y-CSP52500-10	77892	Shock absorbtion rubber washer
11	Y-CSP45450-11	75471	Clip 5
12	Y-CSP45450-12	75472	Brake guard torsion rod spring
13	Y-CSP45450-13	75473	Front guard tube
14	Y-CSP45450-08	75468	Screw st4.2x8-h-f
15	Y-CSP45450-15	75474	Guide bar outer plate
16	Y-CSP45450-16	75476	Dust shield
17	Y-CSP45450-17	75477	Brake spring belt
18	Y-CSP45450-18	75478	Chain guide block
19	Y-CSP52500-19	77988	Guide bar cover
20	Y-CSP45450-20	75480	Limit board
21	Y-CSP45450-21	75481	Clip 4
22	Y-CSP45450-22	75482	Baffle pin
23	Y-CSP45450-23	75483	Clip 3
24	Y-CSP45450-24	75484	Brake guard
25	Y-CSP45450-25	75485	Limit pin
26	Y-CSP45450-26	75486	Assistant brake spring
27	Y-CSP45450-27	75487	Brake spring
28	Y-CSP45450-28	75488	Brake control rod
29	Y-CSP45450-29	75489	Pin 3x9
30	Y-CSP45450-30	75490	Assistant lever
31	Y-CSP45450-31	75491	Main lever
33	Y-CSP45450-33	75492	Left hand jacket
38	Y-CSP45450-38	75493	Easy starter assembly
41	Y-CSP45450-41	75494	Oil tank anti vibration rubber
42	Y-CSP45450-42	75494	Long anti vibration cushion

KEY No.	PART No.	STOCK No.	DESCRIPTION
43	Y-CSP45450-43	75496	Screw m5x14
44	Y-CSP45450-44	75498	Shock asorbtion dust shield
45	Y-CSP45450-45	75499	Fuel tank cap
46	Y-CSP45450-46	75500	Fuel tank cap washer
47	Y-CSP45450-47	75501	Fuel cap retainer
48	Y-CSP45450-48	75502	Socket spanner
49	Y-CSP45450-49	75503	Screw st2.9x5-h-c
50	Y-CSP45450-50	75504	Socket spanner clamping piece
51	Y-CSP45450-51	75505	Fuel tank
52	Y-CSP45450-52	75506	Screw st4.8x15-h-f
53	Y-CSP45450-53	75507	Throttle trigger a
54	Y-CSP45450-54	75508	Handle cover
55	Y-CSP45450-55	75509	Throttle trigger b
56	Y-CSP45450-56	75510	Reset spring
57	Y-CSP45450-57	75511	Pin 6x25
58	Y-CSP45450-58	75512	Balancer
59	Y-CSP45450-59	75918	Balancer block
60	Y-CSP45450-60	75926	Fuel pipe
63	Y-CSP45450-63	75934	Fuel filter
64	Y-CSP45450-64	75942	Cover fan
65	Y-CSP45450-65	75946	Front handle
66	Y-CSP45450-66	75947	Idle adjustment guide sleeve
67	Y-CSP45450-67	75949	Taper spring
68	Y-CSP45450-68	75950	Taper spring block
69	Y-CSP45450-69	75951	Chain safeguard
70	Y-CSP52500-70	78018	Cylinder cover
71	Y-CSP45450-71	75953	Anti vibration rubber washer
72	Y-CSP52500-72	78079	Air filter cover
73	Y-CSP45450-73	75955	Nut washer
74	Y-CSP45450-74	75956	Air filter nut
75	Y-CSP45450-75	75957	M5 nut
76	Y-CSP45450-76	75958	Washer 5
77	Y-CSP45450-77	75959	Spring washer 5
78	Y-CSP45450-78	75960	Muffle cover
79	Y-CSP45450-79	75961	Screw m5x12

**Helpline: (023) 8049 4344. Sales Desk: (023) 8049 4333. General Enquiries: (023) 8026 6355.**

DRAPER TOOLS LTD, HURSLEY ROAD, CHANDLER'S FORD, EASTLEIGH, HANTS. SO53 1YF. U.K website: www.drapertools.com e-mail: sales@drapertools.com

KCMC050115

**DRAPER**<sup>®</sup>

SPARE PARTS LISTING SHEET FOR  
**49.3cc 500mm**  
**Petrol Chainsaw**

Stock No.75188

Part No.CSP52500

KEY No.	PART No.	STOCK No.	DESCRIPTION
80	Y-CSP45450-80	75962	Muffle assembly
81	Y-CSP45450-81	75963	Muffle seal washer
82	Y-CSP45450-82	75964	Muffle bolt
83	Y-CSP45450-83	75965	Screw M5x20
84	Y-CSP45450-84	75966	Spark plug
85	Y-CSP52500-85	78152	Cylinder
86	Y-CSP45450-86	76182	In pipe seal washer
87	Y-CSP45450-87	76185	In pipe
88	Y-CSP45450-88	76247	Retainer
89	Y-CSP45450-89	76254	Cylinder seal washer
90	Y-CSP52500-90	78289	Piston ring
91	Y-CSP52500-91	78393	Piston
92	Y-CSP52500-92	78536	Piston pin circlip
93	Y-CSP52500-93	78537	Piston pin
94	Y-CSP45450-94	76304	Needle bearing clip
95	Y-CSP45450-95	76312	Needle bearing na11x15x12.5
96	Y-CSP52500-96	78575	Crankshaft connecting rod assembly
97	Y-CSP45450-97	76338	Semi circular key 2.9x10x3.7
98	Y-CSP45450-98	76346	Ignition coil protective cover
99	Y-CSP45450-99	76362	Flameout wire
100	Y-CSP52500-100	78577	Ignition coil
101	Y-CSP45450-101	76396	Oil cap washer
102	Y-CSP45450-102	76403	Oil cap
103	Y-CSP45450-103	76411	Screw m5x30
104	Y-CSP45450-104	76437	Nut m8
105	Y-CSP45450-105	76445	Fly wheel
106	Y-CSP45450-106	76453	Screw m4x8
107	Y-CSP45450-107	76455	Oil seal plate
108	Y-CSP45450-108	76461	Oil seal 15x35x4.5
109	Y-CSP45450-109	76479	Circlip 35
110	Y-CSP45450-110	76487	Bearing 6202
111	Y-CSP45450-111	76586	Short shock absorbtion block
112	Y-CSP52500-112	78578	Left crankshaft case
113	Y-CSP45450-113	76627	Left shock absorbtion rubber
114	Y-CSP45450-114	76651	Switch

KEY No.	PART No.	STOCK No.	DESCRIPTION
115	Y-CSP45450-115	76669	Ground strip
116	Y-CSP45450-116	76677	Primer bulb
117	Y-CSP45450-79	75961	Screw m5x12
118	Y-CSP45450-118	76685	Crankshaft case gasket
119	Y-CSP45450-119	76693	Pin 5x10
120	Y-CSP45450-120	76700	Dust plate
121	Y-CSP52500-121	78579	Right crankshaft case
122	Y-CSP45450-122	76733	Right shock absorbtion rubber
123	Y-CSP45450-123	76734	Air intake washer
124	Y-CSP45450-124	76735	Air intake support gasket
125	Y-CSP45450-125	76736	Air intake tube support gasket
126	Y-CSP45450-126	76737	Air intake flange
127	Y-CSP52500-127	78580	Carburettor
128	Y-CSP45450-128	76927	Accelerator rod
129	Y-CSP45450-129	76934	Air intake
130	Y-CSP45450-130	76935	Air intake cushion
131	Y-CSP45450-131	76936	Screw m5x52
132	Y-CSP45450-132	77001	Air filter gasket
133	Y-CSP45450-133	77092	Screw gm5-m5x30
134	Y-CSP45450-134	77135	Air filter
135	Y-CSP45450-135	77136	Choke rod
136	Y-CSP45450-136	77137	Choke rod seat
137	Y-CSP45450-137	77138	Shock absorbtion block
138	Y-CSP45450-138	77242	Oil seal 15x28x4.5
139	Y-CSP45450-139	77243	Oil pump cover plate
141	Y-CSP45450-141	77427	Worm
143	Y-CSP45450-143	77469	Needle bearing 12x15x14.5
144	Y-CSP45450-144	77472	Clutch shell
145	Y-CSP45450-145	77473	Clutch washer
146	Y-CSP45450-146	77474	Screw m4x14
147	Y-CSP45450-147	77493	Oil outlet nozzle
148	Y-CSP45450-148	77509	Oil pump
149	Y-CSP45450-149	77547	Sponge filter
150	Y-CSP45450-150	77576	Oil tube
151	Y-CSP45450-151	77683	Oil filter

**Helpline: (023) 8049 4344. Sales Desk: (023) 8049 4333. General Enquiries: (023) 8026 6355.**

DRAPER TOOLS LTD, HURSLEY ROAD, CHANDLER'S FORD, EASTLEIGH, HANTS. SO53 1YF. U.K website: www.drapertools.com e-mail: sales@drapertools.com

KCMC050115

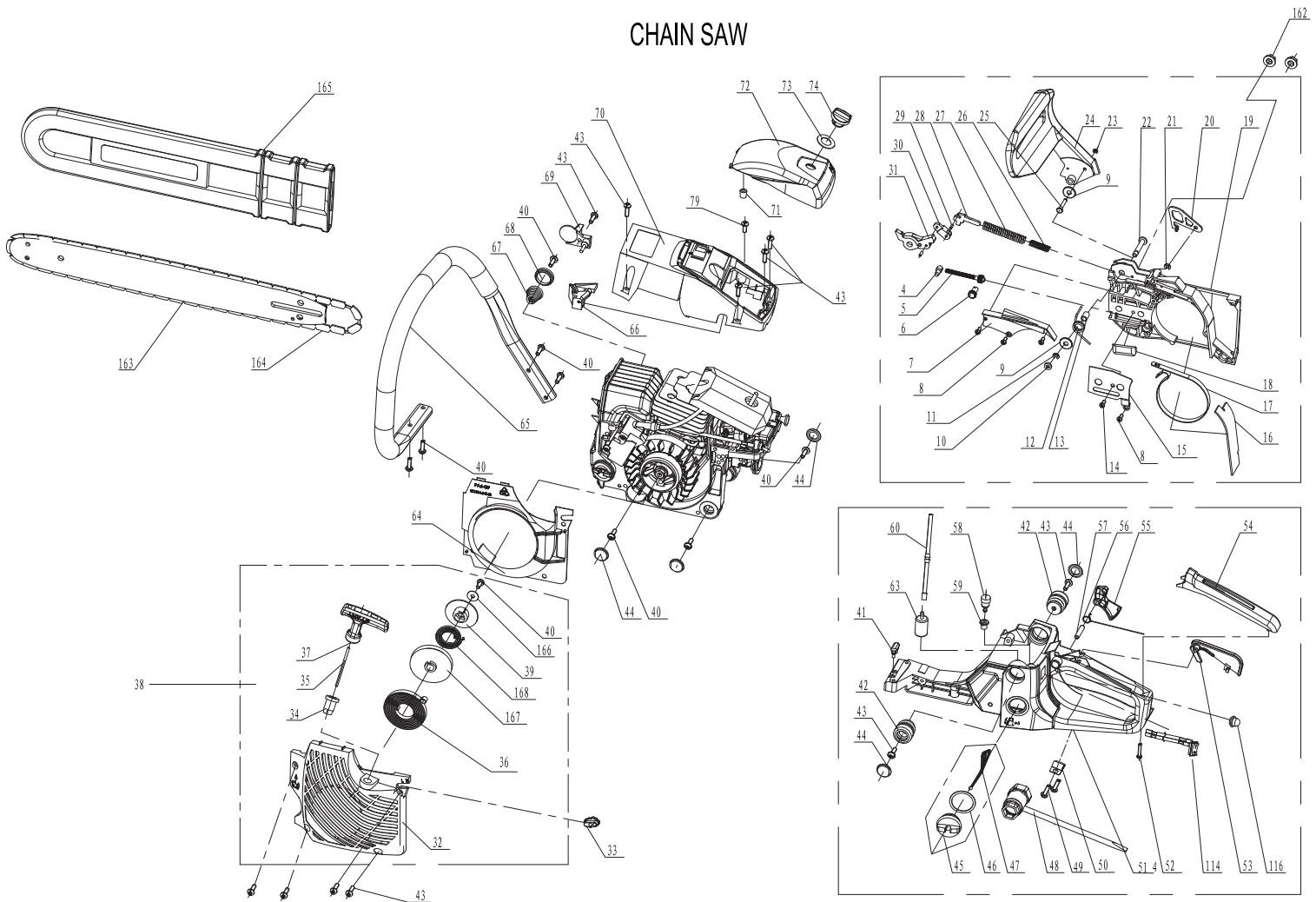
# DRAPER®

## SPARE PARTS LISTING & DRAWING SHEET FOR 49.3cc 500mm Petrol Chainsaw

Stock No.75188

Part No.CSP52500

### CHAIN SAW



KEY No.	PART No.	STOCK No.	DESCRIPTION
152	Y-CSP45450-152	77690	Guide bar inner plate
153	Y-CSP45450-153	77691	Guide bar inner plate gasket
154	Y-CSP45450-154	77696	Screw M8x28
155	Y-CSP45450-155	77700	Spiked bumper kit
156	Y-CSP45450-156	77708	Aeration nozzle circlip
157	Y-CSP45450-157	77716	Sponge filter block
158	Y-CSP45450-158	77724	Aeration nozzle

KEY No.	PART No.	STOCK No.	DESCRIPTION
159	Y-CSP45450-159	77731	Vacuum tube
160	Y-CSP45450-160	77732	Vacuum tube circlip
161	Y-CSP45450-161	77735	Vacuum nozzle
162	Y-CSP45450-162	77740	Nut M8
163	Y-CSP52500-163	78581	Oregon bar 20"
164	Y-CSP52500-164	78582	Oregon chain 20"
165	Y-CSP52500-165	78583	Guide bar cover 20"

**Helpline: (023) 8049 4344. Sales Desk: (023) 8049 4333. General Enquiries: (023) 8026 6355.**

DRAPER TOOLS LTD, HURSLEY ROAD, CHANDLER'S FORD, EASTLEIGH, HANTS. SO53 1YF. U.K website: [www.drapertools.com](http://www.drapertools.com) e-mail: [sales@drapertools.com](mailto:sales@drapertools.com)

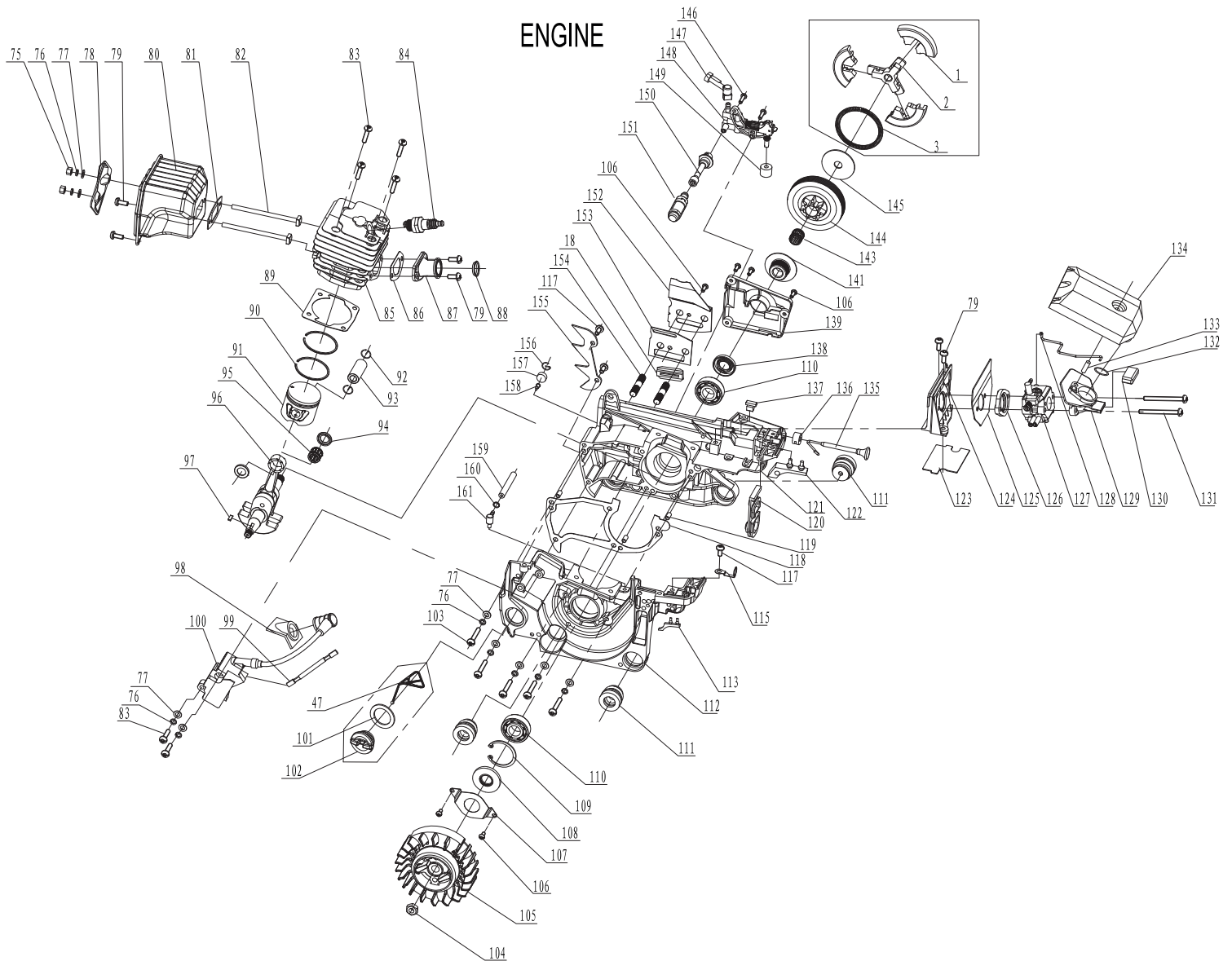
KCMC050115



# SPARE PARTS DRAWING SHEET FOR 49.3cc 500mm Petrol Chainsaw

Stock No.75188

Part No.CSP52500



**Helpline: (023) 8049 4344. Sales Desk: (023) 8049 4333. General Enquiries: (023) 8026 6355.**

DRAPER TOOLS LTD, HURSLEY ROAD, CHANDLER'S FORD, EASTLEIGH, HANTS. SO53 1YF. U.K website: [www.drapertools.com](http://www.drapertools.com) e-mail: [sales@drapertools.com](mailto:sales@drapertools.com)

KCMC050115