

DRAPER[®]

SPARE PARTS LISTING SHEET FOR 350mm Bandsaw

Stock No.76238

Part No.BS350C

| KEY No. | PART No. | STOCK No. | DESCRIPTION |
|---------|-----------------|-----------|-----------------------------|
| 1 | YDJ350A04100 | 77480 | Lower door. |
| 2 | YGB70-85 | 77481 | Bolt. |
| 3 | YDJ31703012 | 77482 | Spacer bushing. |
| 4 | Y1000008107 | 35126 | Locking nut. |
| 5 | YGB6170-86 | 77275 | Nut. |
| 6 | YDJ350A03102 | 77483 | Joining block. |
| 7 | Y31503035 | 77414 | Spring plate. |
| 8 | YGB12618-90 | 77413 | Rivet. |
| 9 | YGB818-85 | 77393 | Screw. |
| 10 | YDJ350A03100 | 77484 | Upper door. |
| 11 | YGB894.1-86 | 77201 | Circlip. |
| 12 | YDJ350A03006 | 77485 | Bearing bolt upper. |
| 13 | YDJ38003003 | 77486 | Bearing bolt support upper. |
| 14 | YDJ250A03009 | 77224 | Nut. |
| 15 | YGB6177-86 | 77210 | Nut. |
| 16 | YDJ350A03008 | 77487 | Guiding plate. |
| 17 | YDJ250A03007 | 77208 | Shaft. |
| 18 | YGB896-86 | 77207 | Washer. |
| 19 | YDJ38003010 | 77488 | Spring. |
| 20 | YDJ38003011 | 77489 | Tension bracket frame. |
| 21 | YDJ350A03005 | 77490 | Slider. |
| 22 | YGB845-85 | 77293 | Screw. |
| 23 | Y31503034 | 77491 | Cover board. |
| 24 | Y31503038 | 77492 | Rack. |
| 25 | YDJ350A03001 | 77494 | Guide carrier. |
| 26 | YDJ350A03003 | 77495 | Pressure plate. |
| 27 | YDJ350A03004 | 77496 | Pin. |
| 28 | YDJ31703113 | 77232 | Gear. |
| 29 | YDJ350A03007 | 77497 | Gear shaft. |
| 30 | Y31503014B | 77434 | Guide carrier system. |
| 31 | YGB845-85 | 77293 | Screw. |
| 32 | YDJ315S03012A-1 | 77440 | Nut. |
| 33 | YDJ315S03012A-2 | 77439 | Guiding shaft. |
| 34 | YGB77-85 | 77498 | Bolt. |
| 35 | YGB77-85 | 77438 | Screw. |
| 36 | YGB/T278-89 | 77416 | Bearing. |

| KEY No. | PART No. | STOCK No. | DESCRIPTION |
|---------|-----------------|-----------|-------------------------------|
| 37 | YDJ315S03012A | 77437 | Three roller guide housing. |
| 38 | YDJ315S03012A-3 | 77436 | Shaft for pilot. |
| 39 | YDJ35003025A | 77435 | Setting dial. |
| 40 | YDJ35003001A | 77499 | Upper wheel. |
| 41 | YGB/T276-94 | 77202 | Bearing. |
| 42 | Y10000013890 | 35132 | Bolt. |
| 43 | Y31504015 | 77228 | Brush strip. |
| 44 | Y31504014 | 77421 | Spacer bushing. |
| 45 | YGB6177-86 | 77210 | Nut. |
| 46 | YGB894.1-86 | 77201 | Circlip. |
| 47 | Y31504012 | 77419 | Tension wheel. |
| 48 | YGB/T278-89 | 77416 | Ball bearing. |
| 49 | Y31504013 | 77420 | Sliding shaft. |
| 50 | YCK-5 | 77500 | Switch. |
| 51 | YDJ31703008 | 77501 | Cam. |
| 52 | YDJ31703009 | 77502 | Spacer bushing. |
| 53 | YDJ350A05002 | 77503 | Lamello plug. |
| 54 | Y31503006 | 77449 | Setting Dial. |
| 55 | YGB6172-86 | 77220 | Nut. |
| 56 | YDJ38003004-01 | 77504 | Shaft. |
| 57 | YDJ38003002 | 77505 | Tension pan. |
| 58 | YGB6173-86 | 77507 | Nut. |
| 59 | YDJ31703010 | 77508 | Seat for quick release shaft. |
| 60 | YDJ38003007 | 77510 | Quick release shaft. |
| 61 | YGB6172-86 | 77220 | Nut. |
| 62 | YTJ315B03002-1 | 77511 | Locking handle. |
| 63 | YGB6170-86 | 77512 | Nut. |
| 64 | Y31503008-2 | 77513 | Setting dial. |
| 65 | Y31503008-1 | 77514 | Cap. |
| 66 | YGB5783-86 | 77193 | Bolt. |
| 67 | YGB5783-86 | 77193 | Bolt. |
| 68 | Y1000008430 | 35113 | Washer. |
| 69 | Y31503007 | 77222 | Nut. |
| 70 | YGB5783-86 | 77193 | Bolt. |
| 71 | Y1000008436 | 77223 | Washer. |
| 72 | YDJ350A03002 | 77515 | Door handle. |

Helpline: (023) 8049 4344. Sales Desk: (023) 8049 4333. General Enquiries: (023) 8026 6355.

DRAPER TOOLS LTD, HURSLEY ROAD, CHANDLER'S FORD, EASTLEIGH, HANTS. SO53 1YF. U.K. internet: www.draper.co.uk e-mail: sales@drapertools.com

DRAPER[®]

SPARE PARTS LISTING SHEET FOR 350mm Bandsaw

Stock No.76238

Part No.BS350C

| KEY No. | PART No. | STOCK No. | DESCRIPTION |
|---------|-----------------|-----------|----------------------------|
| 73 | YDT/SB030 | 77446 | Locking dial. |
| 74 | YGB/T1792 | 77226 | Washer. |
| 75 | YDJ250A03016B-2 | 77444 | Adjustment dial. |
| 76 | YGB5783-86 | 77193 | Bolt. |
| 77 | YDJ350A04003 | 77516 | Bearing bolt. |
| 78 | Y31604006 | 77460 | Connector. |
| 79 | YDJ350A04009 | 77517 | Seat lower guide. |
| 80 | YDJ315B03024 | 77285 | Locking pin. |
| 81 | Y31504007 | 77461 | Motor pulley. |
| 82 | YYL8024E-T | 77518 | Motor. |
| 83 | YGB6170-86 | 77275 | Nut. |
| 84 | YTJ25003005 | 77519 | Hand wheel. |
| 85 | YDJ350A02003 | 77561 | Gear shaft. |
| 86 | YTJ31503014 | 77520 | Gear. |
| 87 | YDJ315B02008 | 77522 | Locking handle. |
| 88 | YDJ315B03036 | 77524 | Spacer bushing. |
| 89 | YDJ350A02002 | 77525 | Table trunnion. |
| 90 | YDJ350A02100 | 77526 | Table trunnion lower. |
| 91 | YDJ350A02006 | 77526 | Pointer. |
| 92 | YGB818-85 | 77393 | Screw. |
| 93 | YGB5783-86 | 77193 | Bolt. |
| 94 | YDJ315S02014 | 77527 | Cup head square neck bolt. |
| 95 | YDJ350A02001 | 77528 | Table. |
| 96 | YDJ350A02004 | 77529 | Table insert. |
| 97 | YDJ315S02001-16 | 77530 | Wing nut. |
| 98 | YDJ315S02001-18 | 77531 | Cap. |
| 99 | YDJ315S02001-09 | 77535 | Fence bracket. |
| 100 | YGB/T801-98 | 77532 | Cup head square neck bolt. |
| 101 | YDJ315S02001-10 | 77533 | Fence. |
| 102 | YDJ315S02001-05 | 77534 | Pressure plate. |
| 103 | YDJ350A02007 | 77536 | Fence carrier. |
| 104 | YRTS250G04012 | 77537 | Pressure plate. |
| 105 | YGB845-85 | 77293 | Screw. |
| 106 | YRTS250G04011 | 77538 | Cam. |
| 107 | YTJ250D04013 | 77539 | Handle. |
| 108 | YTJ315B04015 | 77540 | Cap. |

| KEY No. | PART No. | STOCK No. | DESCRIPTION |
|---------|-----------------|---------------------------------|--------------------------|
| 109 | YDJ315S02001-08 | 77541 | Shaft. |
| 110 | YRTS250G06010 | 77542 | Pointer. |
| 111 | YGB70-85 | 77481 | Bolt. |
| 112 | YRTS250G04002-2 | 77543 | Cover board right. |
| 113 | YDJ350A04001 | 77544 | Fence carrier extrusion. |
| 114 | Y31502015 | 77467 | Wing bolt. |
| 115 | YRTS250G04002-1 | 77545 | Cover board left. |
| 116 | YTJ25003004A-2 | 77546 | Handle. |
| 117 | YTJ25003004A-1 | 77546 | Hand wheel. |
| 118 | Y31504019 | 77462 | Setting collar. |
| 119 | YDJ350A04006 | 77547 | Shaft for belt tension. |
| 120 | YGB818-85 | 77393 | Screw. |
| 121 | YDJ31705002 | 77548 | Microswitch cover. |
| 122 | YHY50 | 77549 | Microswitch. |
| 123 | YRWLD0120 | 77550 | Microswitch box. |
| 124 | YGB6170-86 | 77275 | Hex. nut. |
| 125 | YGB862.1-87 | 77192 | Lock washer. |
| 126 | YGB845-85 | 77293 | Screw. |
| 127 | YDJ350A04002 | 77551 | Blade guard. |
| 128 | YDJ35003003 | 77552 | Rubber tyre. |
| 129 | Y31504010A | 77553 | J-belt. |
| 130 | YDJ350A05001 | See your local Draper stockist. | Blade. |
| 131 | YGB70-85 | 77481 | Bolt. |
| 132 | YDJ350A04008 | 77554 | Lower wheel. |
| 133 | YDJ315S03014 | 77555 | Spacer bushing. |
| 134 | Y31504020 | 77556 | Pully. |
| 135 | YGB93-87 | 77401 | Spring washer. |
| 136 | YGB6173-86 | 77507 | Hex. nut. |
| 137 | YGB93-87 | 77401 | Spring washer. |
| 138 | YDJ315S02001-20 | 77557 | Fixing plate. |
| 139 | YDJ350A03009 | 77433 | Parall shaft. |
| 140 | YDJ200030407A | 77445 | Spring. |
| 141 | YDJ200030304 | 77558 | Spacer bushing. |
| 142 | YTJ315B06012A | 77559 | Push stick. |
| 143 | YDJ200030904 | 77560 | Hook. |
| 144 | YBS350C-144 | 24423 | Mitre guide. |

Helpline: (023) 8049 4344. Sales Desk: (023) 8049 4333. General Enquiries: (023) 8026 6355.

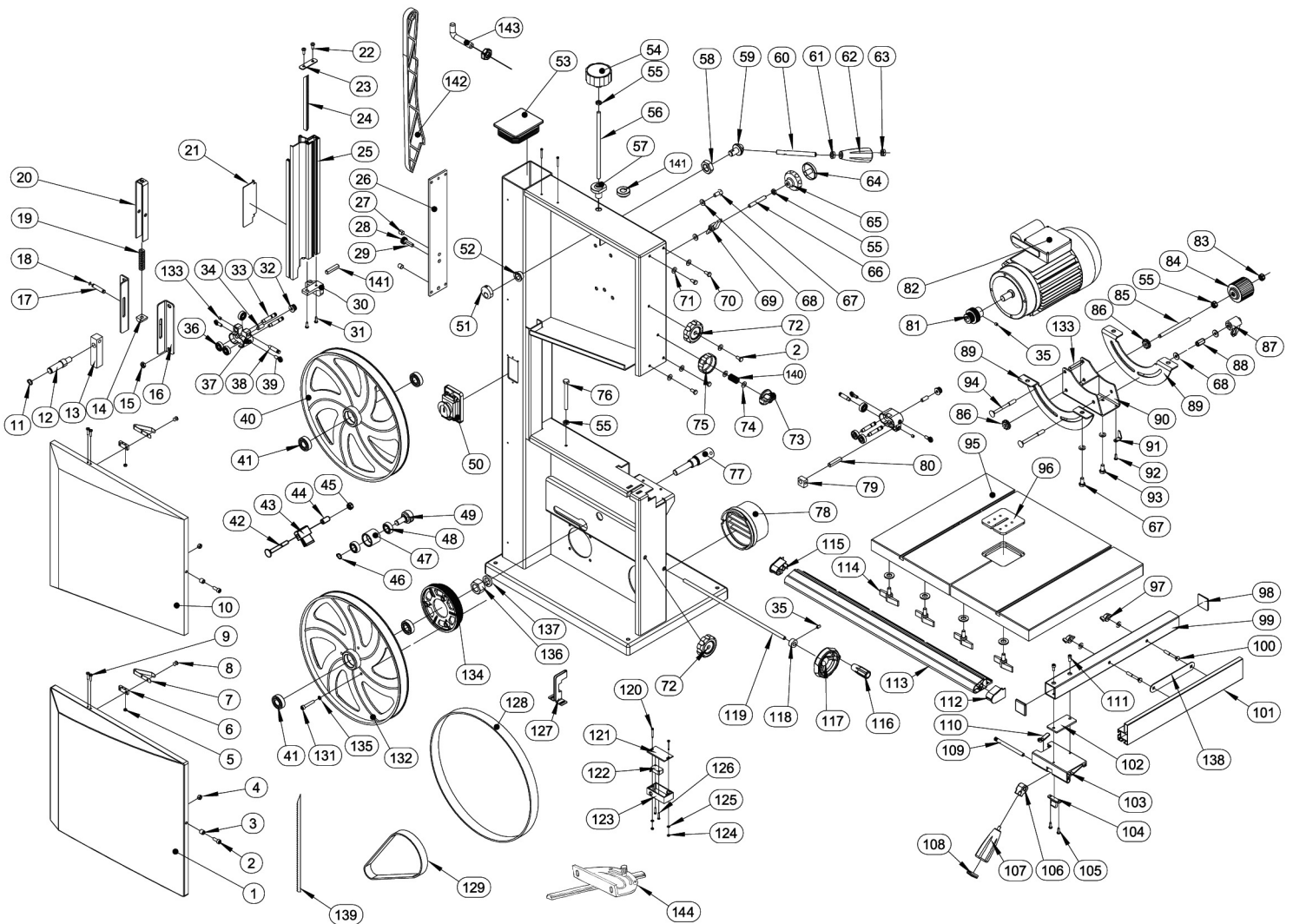
DRAPER TOOLS LTD, HURSLEY ROAD, CHANDLER'S FORD, EASTLEIGH, HANTS. SO53 1YF. U.K. internet: www.draper.co.uk e-mail: sales@drapertools.com



SPARE PARTS DRAWING SHEET FOR 350mm Bandsaw

Stock No.76238

Part No.BS350C



Helpline: (023) 8049 4344. Sales Desk: (023) 8049 4333. General Enquiries: (023) 8026 6355.

DRAPER TOOLS LTD, HURSLEY ROAD, CHANDLER'S FORD, EASTLEIGH, HANTS. SO53 1YF. U.K. internet: www.draper.co.uk e-mail: sales@drapertools.com