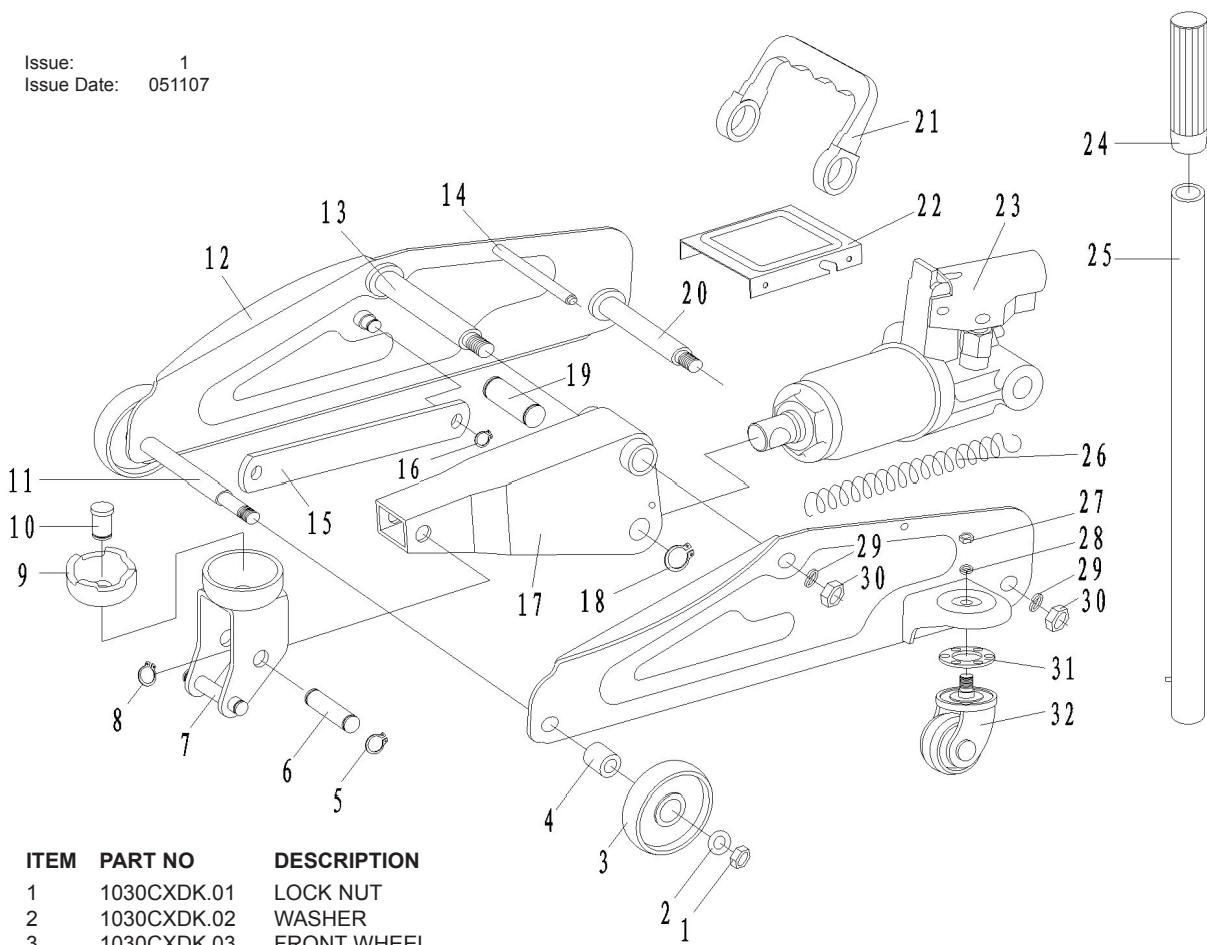
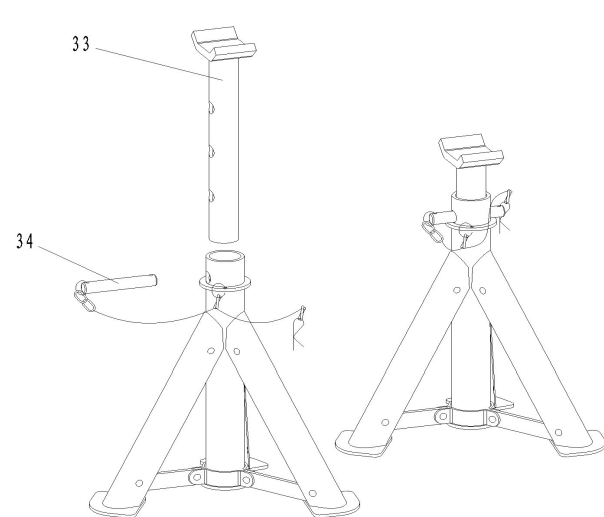


Issue: 1
 Issue Date: 051107



ITEM	PART NO	DESCRIPTION
1	1030CXDK.01	LOCK NUT
2	1030CXDK.02	WASHER
3	1030CXDK.03	FRONT WHEEL
4	1030CXDK.04	BUSHING
5	1030CXDK.05	C-RING
6	1030CXDK.06	SPINDLE
7	1030CXDK.07	SADDLE AXIS
8	1030CXDK.08	C-RING
9	1030CXDK.09	SADDLE
10	1030CXDK.10	SADDLE PIN
11	1030CXDK.11	FRONT WHEEL AXLE
12	1030CXDK.12	FRAME
13	1030CXDK.13	LIFTING ARM SPINDLE
14	1030CXDK.14	SIDE MEMBER SPINDLE
15	1030CXDK.15	RADIUS LINK
16	1030CXDK.16	C-RING
17	1030CXDK.17	LIFTING ARM
18	1030CXDK.18	C-RING
19	1030CXDK.19	LINK PIN
20	1030CXDK.20	SPINDLE
21	1030CXDK.21	CARRY HANDLE
22	1030CXDK.22	COVER PLATE
23	1030CXDK.23	HYDRAULIC UNIT
24	1030CXDK.24	HANDLE GRIP
25	1030CXDK.25	HANDLE
26	1030CXDK.26	SPRING
27	1030CXDK.27	NUT
28	1030CXDK.28	SPRING WASHER
29	1030CXDK.29	SPRING WASHER
30	1030CXDK.30	NUT
31	1030CXDK.31	BEARING RACE
32	1030CXDK.32	CASTOR WHEEL



ITEM	PART NO	DESCRIPTION
33	AS2000F/01	VERTICAL STAND TUBE
34	AS2000F/06	PIN & CHAIN

NOTE: It is our policy to continually improve products and as such we reserve the right to alter data, specifications and component parts without prior notice.

IMPORTANT: No liability is accepted for incorrect use of product.

WARRANTY: Guarantee is 12 months from purchase date, proof of which will be required for any claim.

INFORMATION: For a copy of our latest catalogue and promotions call us on 01284 757525 and leave your full name and address, including postcode.