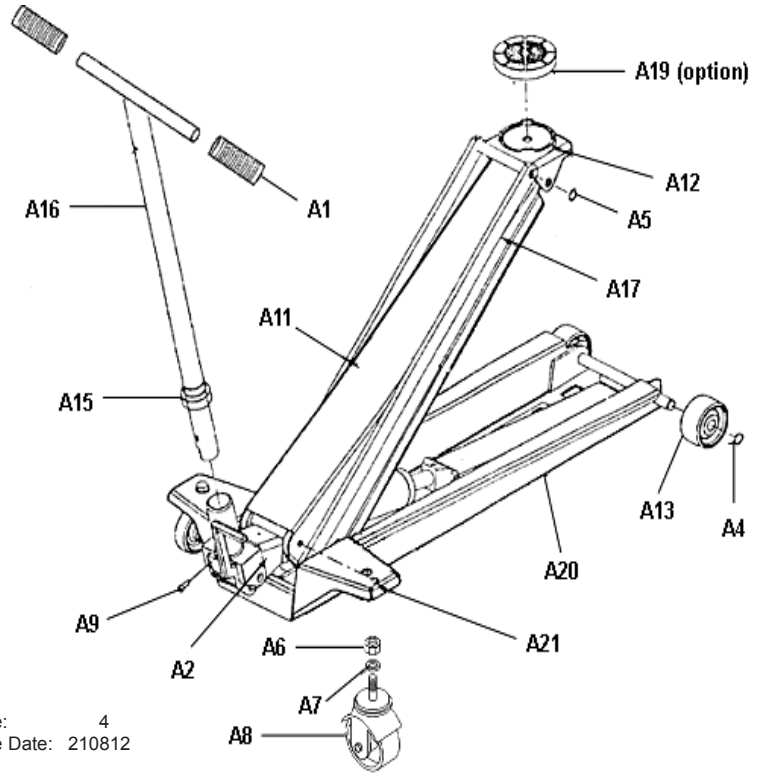
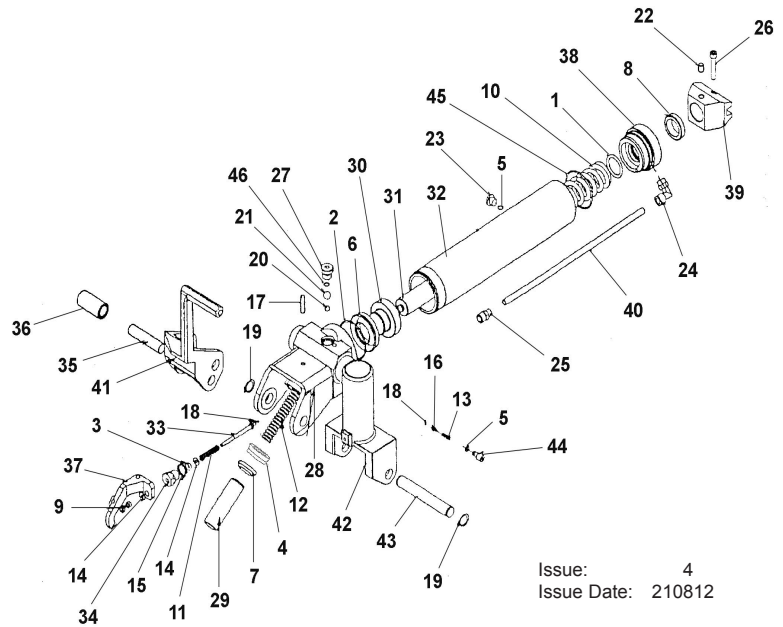


ITEM	PART NO	DESCRIPTION
A1	2200HL.A1	HANDLE GRIP
A2	2200HL.A2	PUMP, COMPLETE
A4	2200HL.A4	LOCKING RING
A5	2200HL.A5	LOCKING RING
A6	2200HL.A6N	NUT
A7	2200HL.A7N	WASHER
A8	2200HL.A8N	WHEEL
A9	2200HL.A9	SCREW
A11	2200HL.A11	LIFTING FRAME COMPLETE
A12	2200HL.A12	SADDLE
A13	2200HL.A13	FIXED WHEEL
A15	2200HL.A15	PLASTIC COVER
A16	2200HL.A16	HANDLE
A17	2200HL.A17	STEERING ROD
A19	SSP221	SADDLE PAD (optional extra only - not supplied)

A20	2200HL.A20	BASE FRAME
A21	2200HL.A21	SCREW M6x10
1	2200HL.01	O-RING
2	2200HL.02	O-RING
3	2200HL.03	O-RING
4	2200HL.04	SEAL RING
5	2200HL.05	O-RING
6	2200HL.06	NUT-RING
7	2200HL.07	SCRAPER RING
8	2200HL.08	SCRAPER RING
9	2200HL.09	NUT
10	2200HL.10	SPRING
11	2200HL.11	SPRING
12	2200HL.12	SPRING
13	2200HL.13	SPRING
14	2200HL.14	WASHER
15	2200HL.15	WASHER
16	2200HL.16	SCREW
17	2200HL.17	STOP SCREW
18	2200HL.18	STEEL BALL
19	2200HL.19	LOCKING RING
20	2200HL.20	STEEL BALL
21	2200HL.21	BALL (9.9mm)
22	2200HL.22	POINTED SCREW
23	2200HL.23	FILLING PLUG
24	2200HL.24	GLAND
25	2200HL.25	GLAND
26	2200HL.26	SCREW
27	2200HL.27	PLUG
28	2200HL.28	PUMP BODY
29	2200HL.29	PUMP PISTON
30	2200HL.30	PISTON
31	2200HL.31	PISTON ROD
32	2200HL.32	CYLINDER TUBE
33	2200HL.33	RELEASE SPINDLE
34	2200HL.34	RELEASE GUIDE
35	2200HL.35	ROLLING AXLE
36	2200HL.36	ROLL
37	2200HL.37	RELEASE BRACKET
38	2200HL.38	CYLINDER NUT
39	2200HL.39	ADAPTOR
40	2200HL.40	OIL HOSE
41	2200HL.41	PEDAL
42	2200HL.42	TIPPING GEAR
43	2200HL.43	AXLE
44	2200HL.44	ADJUSTING SCREW
45	2200HL.45	O-RING
46	2200HL.46	SEAL WASHER
2200HL.RK		REPAIR KIT (PARTS 01-08 & 45-46)



Issue: 4
Issue Date: 210812



Issue: 4
Issue Date: 210812

NOTE: It is our policy to continually improve products and as such we reserve the right to alter data, specifications and component parts without prior notice.

IMPORTANT: No liability is accepted for incorrect use of product.

WARRANTY: Guarantee is 12 months from purchase date, proof of which will be required for any claim.

INFORMATION: For a copy of our latest catalogue and promotions call us on 01284 757525 and leave your full name and address, including postcode.