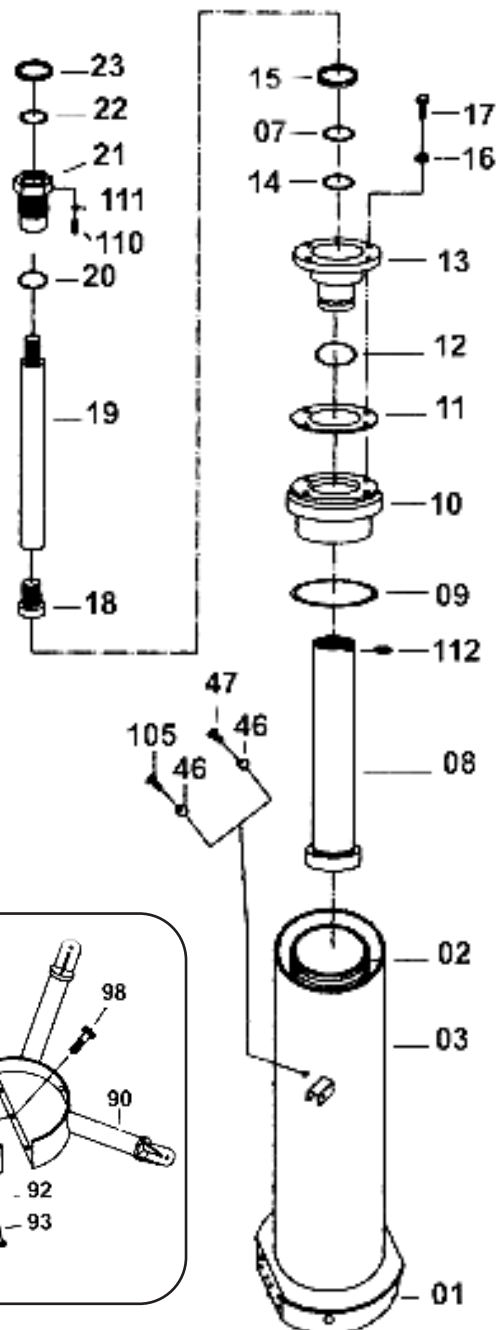


ISSUE: 1
 DATE: 240507

CYLINDER SET

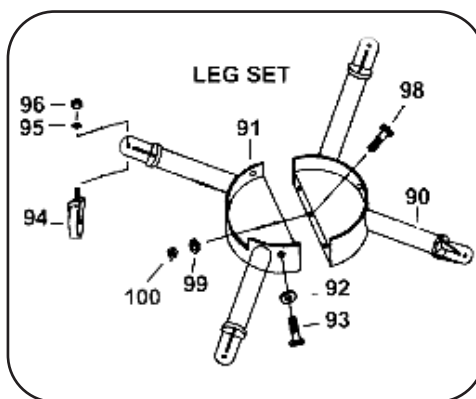
PART NO	DESCRIPTION
500TTJ.01	BASE
500TTJ.02	CYLINDER
500TTJ.03	RESERVOIR
500TTJ.07	O-RING (65x5.7mm)
500TTJ.08	RAM
500TTJ.09	O-RING (140x5.7mm)
500TTJ.10	TOP NUT
500TTJ.11	PACKING
500TTJ.12	O-RING (65x3.1mm)
500TTJ.13	FLANGE
500TTJ.14	O-RING (60x3.1mm)
500TTJ.15	DUST SEAL
500TTJ.16	WASHER M10
500TTJ.17	BOLT M10x30
500TTJ.18	RETAINER RAM
500TTJ.19	RAM
500TTJ.20	O-RING (48x3.5mm)
500TTJ.21	TOP NUT
500TTJ.22	O-RING (41x3.5mm)
500TTJ.23	DUST SEAL
500TTJ.46	O-RING (14x2.4mm)
500TTJ.47	AIR VENT VALVE
500TTJ.105	SCREW
500TTJ.110	SCREW 6x6
500TTJ.111	STEEL BALL 3/16"
500TTJ.112	SCREW M5x6

CYLINDER SET

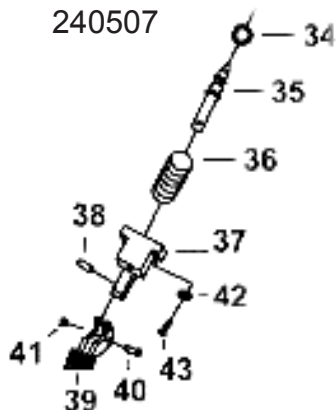


LEG SET

PART NO	DESCRIPTION
500TTJ.90	LEG ASSEMBLY
500TTJ.91	LEG ASSEMBLY
500TTJ.92	WASHER 12mm
500TTJ.93	BOLT M12x30
500TTJ.94	CASTER WHEEL
500TTJ.95	SPRING WASHER
500TTJ.96	NUT M12
500TTJ.98	BOLT M10x25
500TTJ.99	SPRING WASHER
500TTJ.100	NUT M10

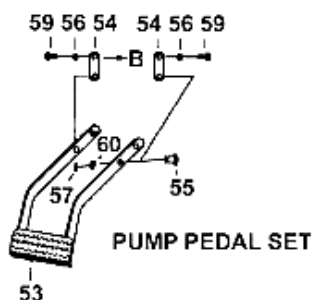


ISSUE: 1
 DATE: 240507



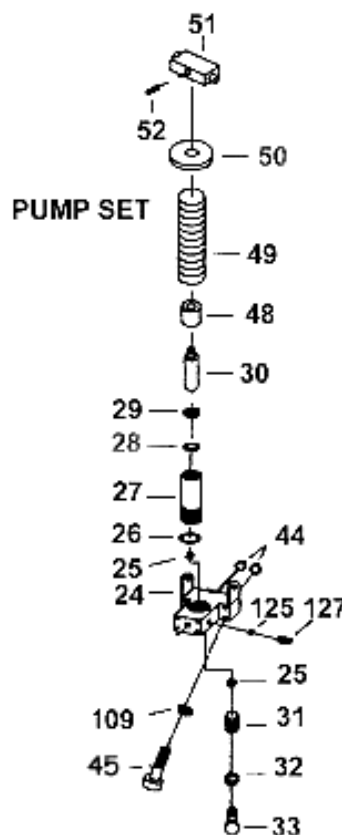
RELEASE VALVE SET

<u>PART NO</u>	<u>DESCRIPTION</u>
500TTJ.RV34	O-RING (12x1.9mm)
500TTJ.RV35	RELEASE VALVE ROD
500TTJ.RV36	SPRING
500TTJ.RV37	VALVE
500TTJ.RV38	PIN 6x32mm
500TTJ.RV39	PEDAL RELEASE VALVE
500TTJ.RV40	PIN
500TTJ.RV41	SNAP RING 6
500TTJ.RV42	SPRING WASHER 6mm
500TTJ.RV43	SCREW M6x25



PUMP PEDAL SET

<u>PART NO</u>	<u>DESCRIPTION</u>
500TTJ.PP53	PEDAL PUMP PISTON
500TTJ.PP54	LINK
500TTJ.PP55	COTTER LINK 14x20mm
500TTJ.PP56	WASHER 8mm
500TTJ.PP57	SNAP PIN 4x20mm
500TTJ.PP58	SHAFT (NOT SHOWN)
500TTJ.PP59	SCREW M8x12
500TTJ.PP60	WASHER 14mm



PUMP SET

<u>PART NO</u>	<u>DESCRIPTION</u>
500TTJ.P24	PUMP BASE
500TTJ.P25	STEEL BALL 8mm
500TTJ.P26	WASHER
500TTJ.P27	PUMP CYLINDER
500TTJ.P28	O-RING (36x3.5mm)
500TTJ.P29	DUST SEAL
500TTJ.P30	PUMP PISTON
500TTJ.P31	SPRING
500TTJ.P32	WASHER
500TTJ.P33	BOLT
500TTJ.P44	O-RING (11x1.9mm)
500TTJ.P45	SCREW M10x55
500TTJ.P48	DUST CAP
500TTJ.P49	SPRING
500TTJ.P50	SPRING RETAINER
500TTJ.P51	CONNECTING ROD
500TTJ.P52	SCREW M8x10
500TTJ.P109	SPRING WASHER 10mm
500TTJ.P125	STEEL BALL 1/4"
500TTJ.P127	SCREW M8x10