



INSTRUCTIONS FOR

BLIND BEARING PULLER SET 12PC

MODEL NO: **AK716.V2**

Thank you for purchasing a Sealey product. Manufactured to a high standard, this product will, if used according to these instructions, and properly maintained, give you years of trouble free performance.

IMPORTANT: PLEASE READ THESE INSTRUCTIONS CAREFULLY. NOTE THE SAFE OPERATIONAL REQUIREMENTS, WARNINGS & CAUTIONS. USE THE PRODUCT CORRECTLY AND WITH CARE FOR THE PURPOSE FOR WHICH IT IS INTENDED. FAILURE TO DO SO MAY CAUSE DAMAGE AND/OR PERSONAL INJURY AND WILL INVALIDATE THE WARRANTY. KEEP THESE INSTRUCTIONS SAFE FOR FUTURE USE.



Refer to
Instruction
Manual



Wear eye
Protection



Wear
Protective
Gloves

1. SAFETY

1.1. GENERAL SAFETY

- WARNING!** Ensure Health & Safety, local authority, and general workshop practice regulations are adhered to when using this tool.
- WARNING!** Familiarise yourself with the specific applications and limitations of the kit, as well as any potential hazards.
- This kit should be used in conjunction with inspection maintenance procedures recommended in the vehicle manufacturer's manual.
- Ensure that the kit is correct for the task.
- Wear the appropriate personal protective equipment for the task. A full range is available from your Sealey dealer.
- DO NOT** use the kit for any purpose other than that for which it is designed.
- Ensure that the vehicle is properly supported with axle stands before working under the vehicle.
- Ensure there is adequate lighting prior to using the kit. A range of inspection lamps are available from your Sealey dealer.
- Keep children and unauthorised persons away from the working area.
- DO NOT** use the kit if any parts are damaged or missing, as this may cause failure and/or personal injury.
- DO NOT** use the kit when you are tired, or under the influence of alcohol, drugs or intoxicating medication.
- After use, store in a safe, dry childproof area.

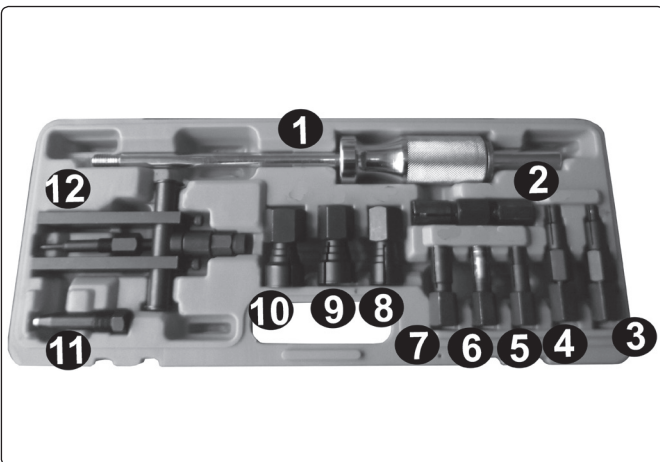
2. INTRODUCTION

Medium stroke 1.5kg slide hammer with 395mm shaft and a screw type bridge extractor. Gently removes blind bearings where the use of a slide hammer may damage the surrounding material. Includes bearing extractor collets with internal capacity from 8 to 34mm. Supplied in carry-case.

3. SPECIFICATION

Model No:.....AK716.V2
Collet Ø:..... 8-9.4, 9.5-11.4, 11.5-13.4, 13.5-16.4, 16.5-18.4,
..... 18.5-24, 24.5-29.5, 30-32.5, 33-34.

4. CONTENTS



Item	Part Number	Description
1	AK716.V2-01	Slide hammer
2	AK716.V2-02	Collet 20-22mm + Drive pin 13mm (long)
3	AK716.V2-03	Collet 8-9.5mm + Drive pin 13mm (short)
4	AK716.V2-04	Collet 10-11mm + Drive pin 10mm
5	AK716.V2-05	Collet 12-13.5mm
6	AK716.V2-06	Collet 15-16mm
7	AK716.V2-07	Collet 17-18.5mm
8	AK716.V2-08	Collet 25-27mm
9	AK716.V2-09	Collet 30-32mm
10	AK716.V2-10	Collet 32-33.5mm
11	AK716.V2-11	Drive pin 13mm
12	AK716.V2-12	Puller Assembly

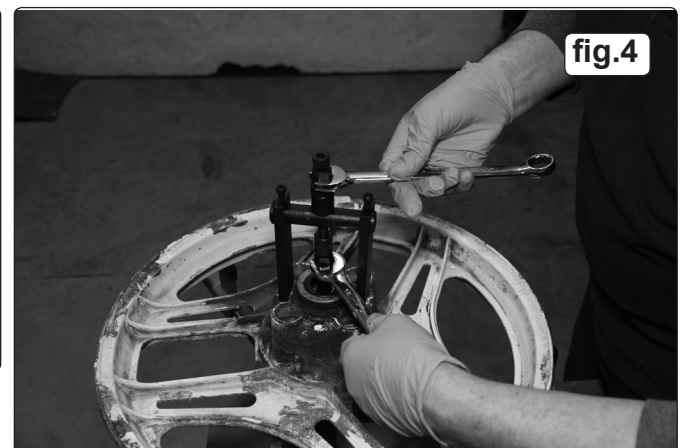
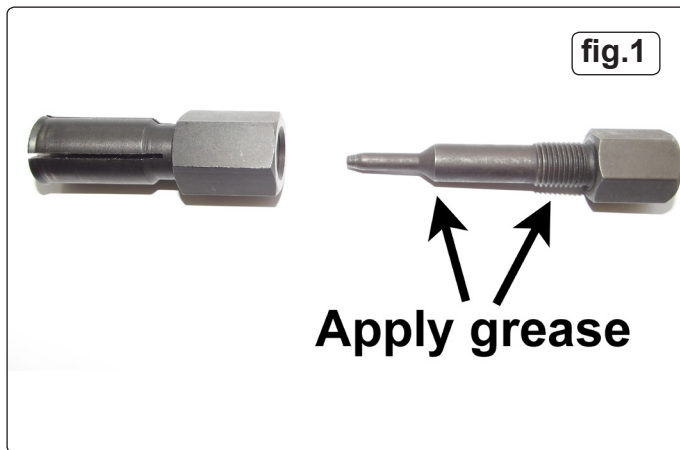
5. OPERATION

5.1. Slide Hammer

- 5.1.1. Before using the required attachment disassemble and grease as shown in fig.1. Reassemble.
- 5.1.2. Insert the attachment into the bearing, see fig.2
- 5.1.3. Hold the attachment with a spanner and wind the drive pin into the attachment with another spanner until the jaws open and grip the bearing.
- 5.1.4. Screw the attachment/drive pin onto the slide hammer, see fig.3.
- 5.1.5. Hold the bearing puller and slide the hammer towards the bearing and then quickly back to the other end of the shaft. Repeat until the bearing has been removed.
- 5.1.6. Make sure the bearing is being pulled out evenly. If not remove the puller attachment and softly tap the bearing back in with a soft faced mallet, until it is seated squarely. Then reattach the tool and pull the bearing out.
- 5.1.7. Release the bearing by undoing the drive pin from the attachment.

5.2. Bridge Extractor

- 5.2.1. Before using the required attachment disassemble and grease as shown in fig.1.
- 5.2.2. Insert the attachment into the bearing.
- 5.2.3. Hold the attachment with a spanner and wind the drive pin into the attachment, with another spanner, until the jaws open and grip the bearing.
- 5.2.4. Place the bridge extractor legs in the correct position over the bearing housing, tighten the cap head screws on the legs to hold them in position.
- 5.2.5. Screw the bridge extractor's hex screw into the attachment. Hold the attachment with a spanner and tighten.
- 5.2.6. Hold the long cap head screw still and wind the bearing out using the nut beneath.



Environmental Protection

Recycle unwanted materials instead of disposing of them as waste. All tools, accessories and packaging should be sorted, taken to a recycling centre and disposed of in a manner which is compatible with the environment. When the product becomes completely unserviceable and requires disposal, drain off any fluids (if applicable) into approved containers and dispose of the product and the fluids according to local regulations.

NOTE: It is our policy to continually improve products and as such we reserve the right to alter data, specifications and component parts without prior notice.

IMPORTANT: No liability is accepted for incorrect use of this product.

WARRANTY: Guarantee is 12 months from purchase date, proof of which will be required for any claim.



Sole UK Distributor, Sealey Group.
Kempson Way, Suffolk Business Park,
Bury St. Edmunds, Suffolk.
IP32 7AR



01284 757500



01284 703534



www.sealey.co.uk



sales@sealey.co.uk