

Thank you for purchasing a Sealey product. Manufactured to a high standard this product will, if used according to these instructions and properly maintained, give you years of trouble free performance.



IMPORTANT: PLEASE READ THESE INSTRUCTIONS CAREFULLY. NOTE THE SAFE OPERATIONAL REQUIREMENTS, WARNINGS & CAUTIONS. USE THE PRODUCT CORRECTLY AND WITH CARE FOR THE PURPOSE FOR WHICH IT IS INTENDED. FAILURE TO DO SO MAY CAUSE DAMAGE AND/OR PERSONAL INJURY, AND WILL INVALIDATE THE WARRANTY. PLEASE KEEP INSTRUCTIONS SAFE FOR FUTURE USE.

1. SAFETY INSTRUCTIONS

1.1 GENERAL SAFETY

- WARNING!** Ensure Health & Safety, local authority, and general workshop practice regulations are adhered to when using this cabinet.
- WARNING!** Use caution when handling and assembling the metal components. The metal may have sharp edges or corners, the use of protective gloves is recommended.
- ✓ Keep the work area clean, uncluttered and ensure there is adequate lighting.
- ✓ Keep the cabinet clean and tidy in accordance with good workshop practice.
- ✓ Keep children and unauthorised persons away from the working area.
- ✓ Keep the cabinet on a level surface. It may become unstable if stored or moved on a sloping surface and may cause personal injury, and/or damage to the cabinet.
- ✓ Always lock the drawers before moving the cabinet.
- ✓ Always apply the brakes once the cabinet has been moved to the work area.
- x **DO NOT** open more than one drawer at a time.
- x **DO NOT** climb, step or stand on the cabinet or in the drawers.
- x **DO NOT** use the cabinet for any purpose other than that for which it is designed.
- x **DO NOT** exceed the maximum weight for each drawer 22.5kg (50lbs).
- x **DO NOT** use in damp work areas.
- WARNING!** The warnings, cautions and instructions referred to in this instruction manual cannot cover all possible conditions and situations that may occur. It must be understood that common sense and caution are factors which cannot be built into this product, but must be applied by the operator.



2. INTRODUCTION

Metal four drawer mobile cabinet with silver-grey drawers and graphite grey carcass, features one extra large large and three medium drawers, lockable front wheels, corner bumpers and a lock with two keys for security.

Overall Size: (W x D x H)	710 x 360 x 838mm
Medium Drawer:	560 x 322 x 100mm
X-Large Drawer:	560 x 322 x 260mm

3. ASSEMBLY

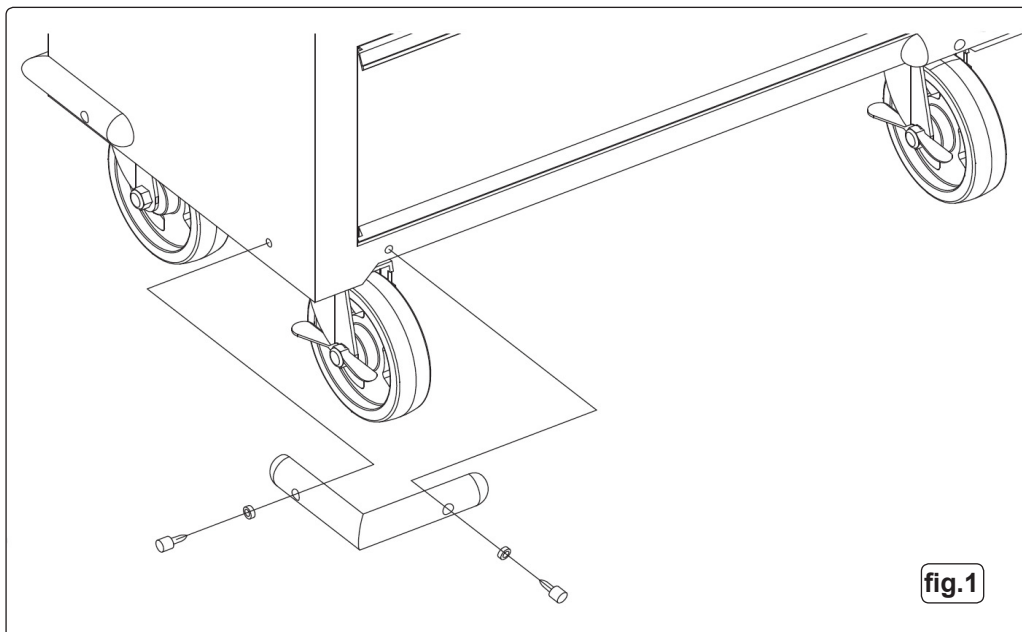
3.1. CONTENTS INSPECTION

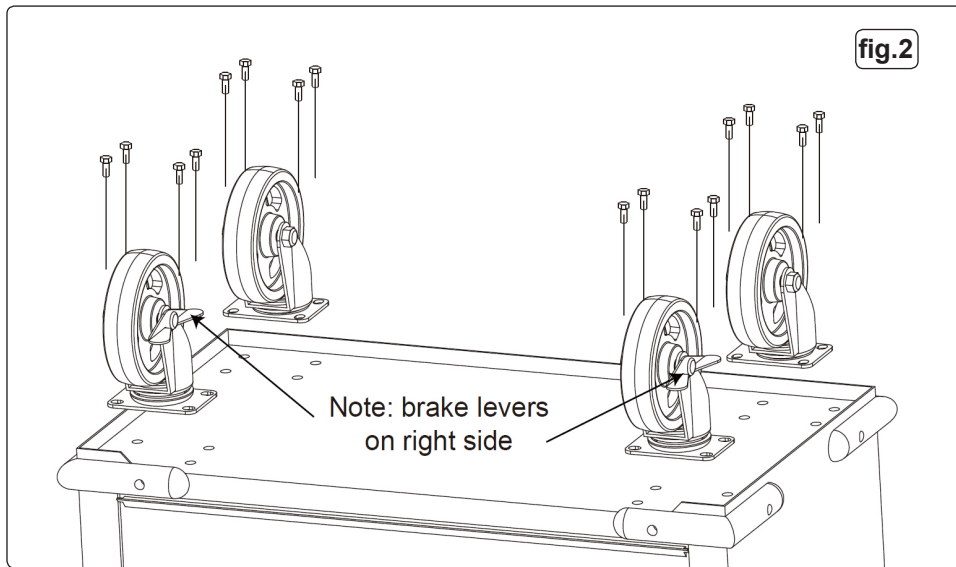
Unpack all the parts and layout on the packing material. Visually inspect all panels to check for transportation damage.

3.2. INSTALL THE CORNER BUMPERS (fig.1).

3.2.1. Position the bumpers over the corner holes.

3.2.2. Insert the brass cup washers and hex screws into the bumper holes and tighten with the hex key provided. **DO NOT** overtighten screws.

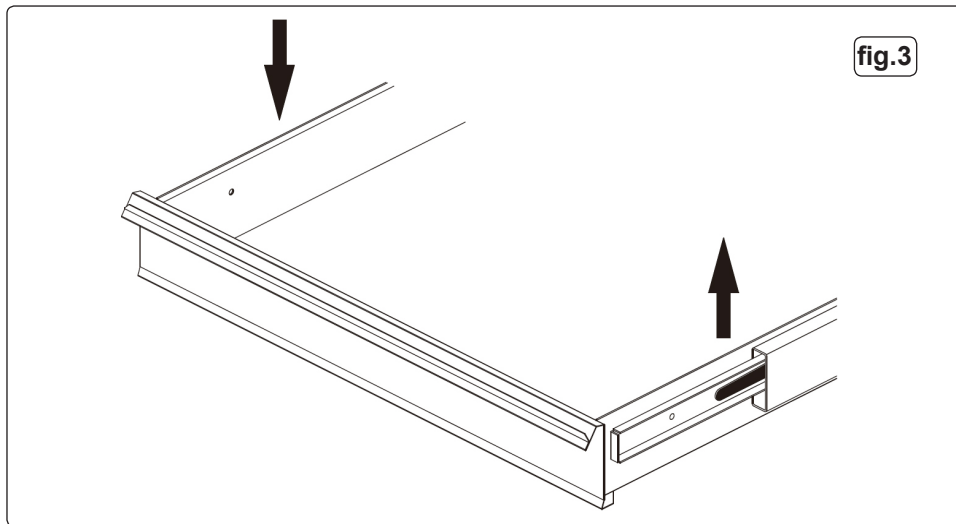




3.3. INSTALL CASTORS (Fig.2).

- 3.3.1. Carefully lay the cabinet on its top using the packaging material to protect the paint finish.
- 3.3.2. Position the two swivel castors on the rear side of the cabinet, insert the bolts through the castor into the cabinet and tighten securely.
- 3.3.3. Position the two fixed castors at the front of the cabinet, ensure that the brake levers are positioned correctly (see fig.2), fit the front two bolts first, and then the remaining bolts and tighten securely.

4. OPERATION



4.1. DRAWER REMOVAL

- 4.1.1. Empty the drawer.
- 4.1.2. Pull open the drawer to almost its full extension.
- 4.1.3. Push up on the right hand black lever and down on the left hand black lever as shown in Fig.3 and then pull the drawer outward until it is released from its runners.
- 4.1.4. To refit align the drawer onto its runners and gently close the drawer and the drawer locks will click into place.

NOTE: Ensure that both locks have located properly before using the drawer.

5. MAINTENANCE

Lubricate the drawer runners twice yearly.
 Lubricate the castors annually with a high quality bearing grease.
 Periodically clean the unit with a mild solution of detergent and water.





Parts support is available for this product.
 To obtain a parts list and diagram please log on to www.sealey.co.uk, email sales@sealey.co.uk or phone 01284 757500

NOTE: It is our policy to continually improve products and as such we reserve the right to alter data, specifications and component parts without prior notice.

IMPORTANT: No liability is accepted for incorrect use of this product.

WARRANTY: Guarantee is 12 months from purchase date, proof of which will be required for any claim.

INFORMATION: For a copy of our catalogue and latest promotions call us on 01284 757525 and leave your full name, address and postcode.

SEALEY Power PRODUCTS	Sole UK Distributor, Sealey Group, Kempson Way, Suffolk Business Park, Bury St. Edmunds, Suffolk, IP32 7AR	 01284 757500  01284 703534	 www.sealey.co.uk  sales@sealey.co.uk
-------------------------------------	---	--	--