



INSTRUCTIONS FOR:  
**WORKBENCH 1.8MTR STEEL WITH 25MM WOODEN TOP**

MODEL NO: **AP0618.V2**

Thank you for purchasing a Sealey product. Manufactured to a high standard, this product will, if used according to these instructions, and properly maintained, give you years of trouble free performance.

**IMPORTANT:** PLEASE READ THESE INSTRUCTIONS CAREFULLY. NOTE THE SAFE OPERATIONAL REQUIREMENTS, WARNINGS & CAUTIONS. USE THE PRODUCT CORRECTLY AND WITH CARE FOR THE PURPOSE FOR WHICH IT IS INTENDED. FAILURE TO DO SO MAY CAUSE DAMAGE AND/OR PERSONAL INJURY AND WILL INVALIDATE THE WARRANTY. KEEP THESE INSTRUCTIONS SAFE FOR FUTURE USE.



Refer to  
 Instruction  
 Manual

### 1. SAFETY

- WARNING!** Ensure Health & Safety, local authority, and general workshop practice regulations are adhered to when using this workbench.
- ✓ Locate workbench in a suitable work area.
- ✓ Keep the work area clean, uncluttered and ensure there is adequate lighting.
- WARNING!** Use workbench on level and solid ground, preferably concrete.
- ✓ Keep the workbench clean and tidy in accordance with good workshop practice.
- ✓ Keep children and unauthorised persons away from the work area.
- ✗ **DO NOT** use the workbench for any purpose other than that for which it is designed.
- ✗ **DO NOT** use the workbench outdoors.
- ✗ **DO NOT** place the workbench in a damp or wet location or an area where there is condensation.
- ✗ **DO NOT** clean the workbench with any solvents which may damage the surfaces or the protective coating.
- ✗ **DO NOT** move the workbench when there are items placed on it.
- ✗ **DO NOT** overload the workbench.
- ✗ **DO NOT** undertake work on the workbench without the workpiece being adequately secured. Use clamps or a vice (not included but available from your Sealey dealer), to secure the workpiece.
- WARNING!** The warnings, cautions and instructions discussed in this instruction manual cannot cover all possible conditions and situations that may occur. It must be understood that common sense and caution are factors which cannot be built into this product, but must be applied by the operator.

### 2. INTRODUCTION

25mm Thick wood top, used for added extra rigidity and durability. Powder coated steel frame, for added corrosion resistance.

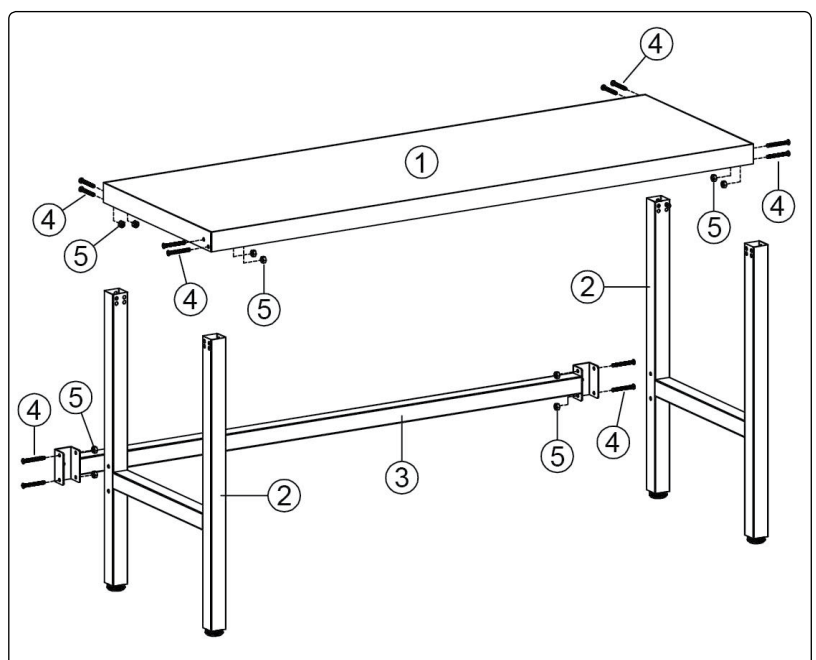
Four adjustable feet for levelling on uneven ground.

**Dimensions:** Width: 1800mm, Depth: 600mm, Height: 910mm. Maximum Capacity: 500kg - evenly distributed.

### 3. CONTENTS

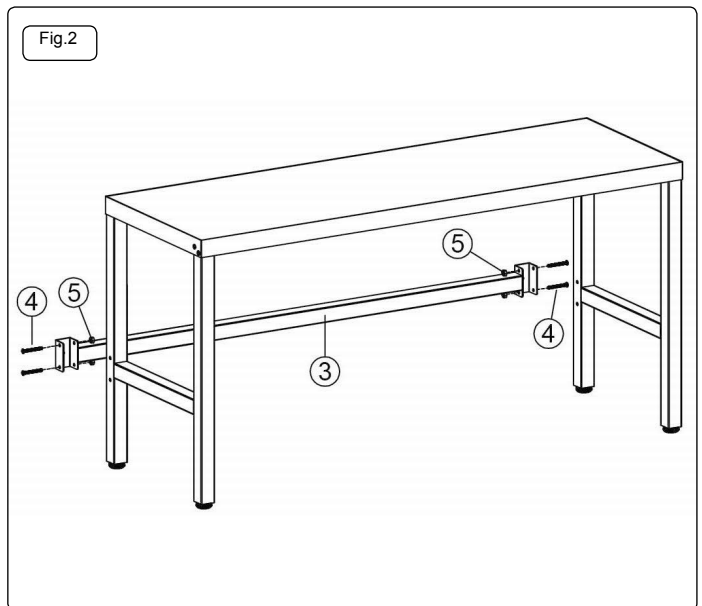
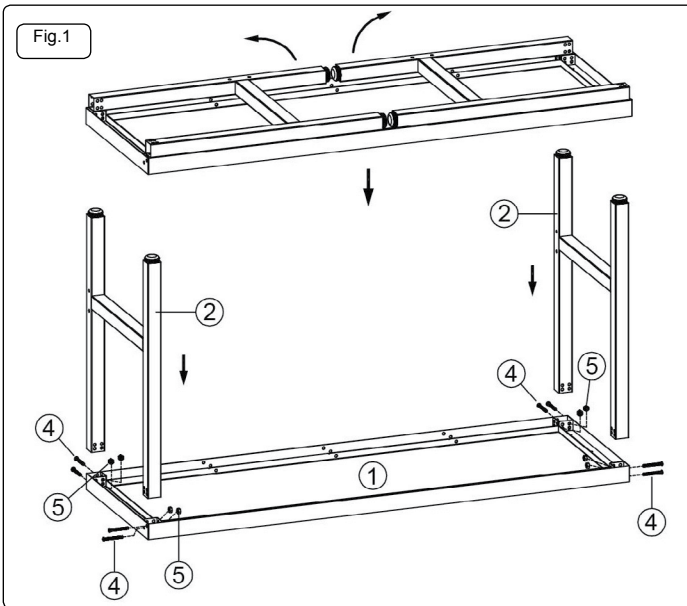
Unpack the contents and check against the parts list. If there are any parts missing, contact your Sealey dealer.

Part No.	Part Name	Quantity
1	Table Top	1
2	H Leg Frame	2
3	Horizontal Back Brace	1
4	M8 x 70mm Pan Head Bolt	12
5	M8 Nut	12

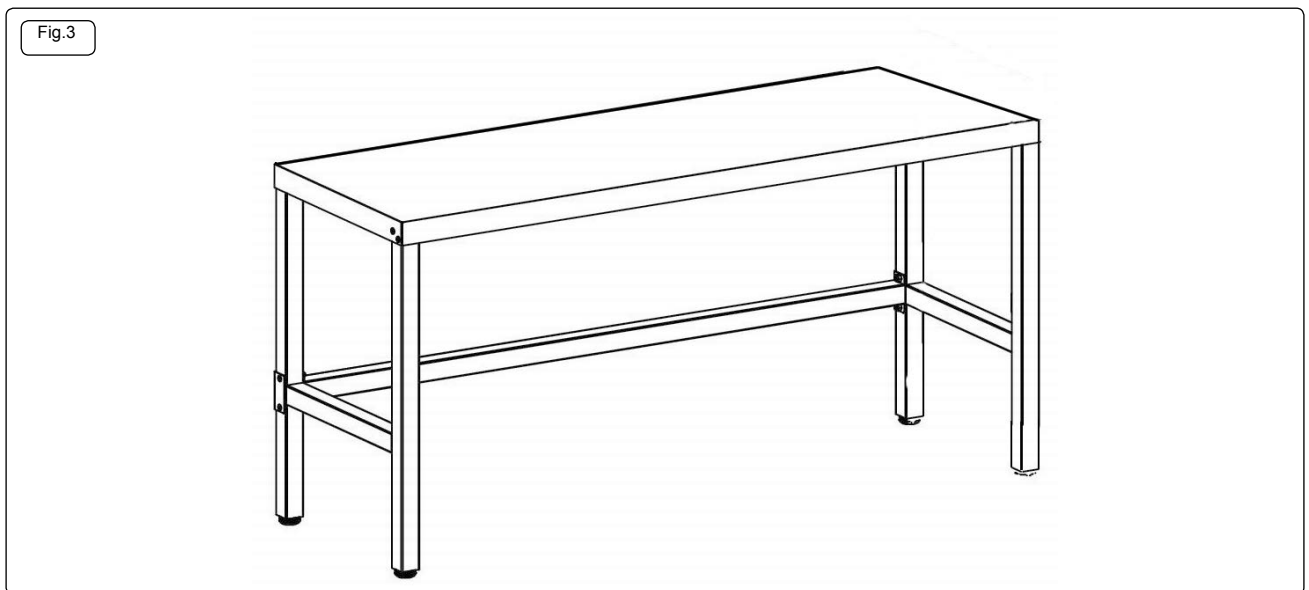


## 4. ASSEMBLY

4.1. Assemble the workbench following the sequence below, referencing the parts list overleaf.



- 4.2. Lay the whole package down on the ground with the table top (1) facing down, see fig.1.  
 4.3. Lift the H leg frames (2) upright as per the above diagram and insert the leg frames (2) into the slots on each side of the table top (1), see fig.1.  
 4.4. Fix the leg frames (2) to the table top (1) using pan head bolts (4) and hex nuts (5), see fig.1.  
 4.5. Turn the work bench so it is the right way up, see fig.2.  
 4.6. Attach the horizontal back brace (3) and fix it to the leg frames (2) using pan head bolts (4) and hex nuts (5), see fig.2.



- 4.7. Assembly is now complete and the work bench is ready to use, see fig.3.

Parts support is available for this product. To obtain a parts listing and/or diagram, please log on to [www.sealey.co.uk](http://www.sealey.co.uk), email [sales@sealey.co.uk](mailto:sales@sealey.co.uk) or telephone 01284 757500.



**Environmental Protection**  
 Recycle unwanted materials instead of disposing of them as waste. All tools, accessories and packaging should be sorted, taken to a recycling centre and disposed of in a manner which is compatible with the environment. When the product becomes completely unserviceable and requires disposal, drain off any fluids (if applicable) into approved containers and dispose of the product and the fluids according to local regulations.

**NOTE:** It is our policy to continually improve products and as such we reserve the right to alter data, specifications and component parts without prior notice.

**IMPORTANT:** No liability is accepted for incorrect use of this product.

**WARRANTY:** Guarantee is 12 months from purchase date, proof of which will be required for any claim.



Sole UK Distributor, Sealey Group.  
 Kempson Way, Suffolk Business Park,  
 Bury St. Edmunds, Suffolk.  
 IP32 7AR



01284 757500



01284 703534



[www.sealey.co.uk](http://www.sealey.co.uk)



[sales@sealey.co.uk](mailto:sales@sealey.co.uk)