

Thank you for purchasing a Sealey product. Manufactured to a high standard this product will, if used according to these instructions and properly maintained, give you years of trouble free performance.

**IMPORTANT: PLEASE READ THESE INSTRUCTIONS CAREFULLY. NOTE THE SAFE OPERATIONAL REQUIREMENTS, WARNINGS & CAUTIONS. USE THE PRODUCT CORRECTLY AND WITH CARE FOR THE PURPOSE FOR WHICH IT IS INTENDED. FAILURE TO DO SO MAY CAUSE DAMAGE OR PERSONAL INJURY, AND WILL INVALIDATE THE WARRANTY. PLEASE KEEP INSTRUCTIONS SAFE FOR FUTURE USE.**

## 1. SAFETY INSTRUCTIONS

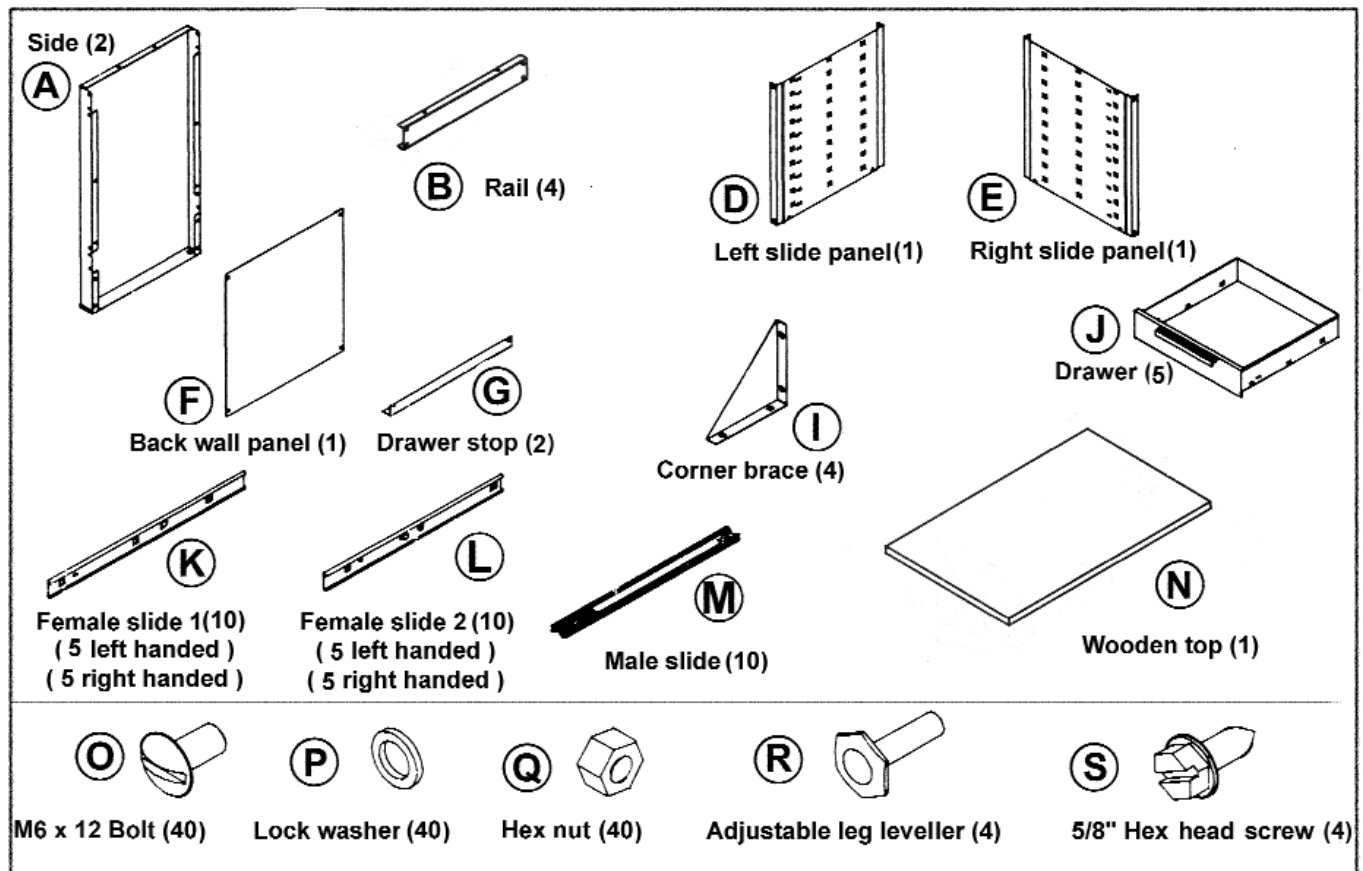
### 1.1 GENERAL SAFETY

- **WARNING!** Ensure Health & Safety, local authority, and general workshop practice regulations are adhered to when using this bench.
- ✓ Locate bench in a suitable working area.
- ✓ Keep the work area clean, uncluttered and ensure there is adequate lighting.
- **WARNING!** Use bench on level and solid ground, preferably concrete. *Avoid tarmacadam since the bench may sink into the surface.*
- ✓ Keep the bench clean and tidy in accordance with good workshop practice.
- ✓ Keep children and unauthorised persons away from the working area.
- x **DO NOT** use the bench for any purpose other than that for which it is designed.
- x **DO NOT** undertake work on the bench without the workpiece being adequately secured. Use clamps or a vice (not included) to secure the workpiece. Available from your Sealey dealer.
- x **DO NOT** use the bench out of doors.
- x **DO NOT** get the bench wet or use in damp or wet locations or areas where there is condensation.
- x **DO NOT** clean the bench with any solvents which may damage the paint surface or the protective coating on the wooden top.
- x **DO NOT** pull out all drawers at the same time.
- Maximum weight for each drawer is 25 kg, full load for Workbench is 180 kg.

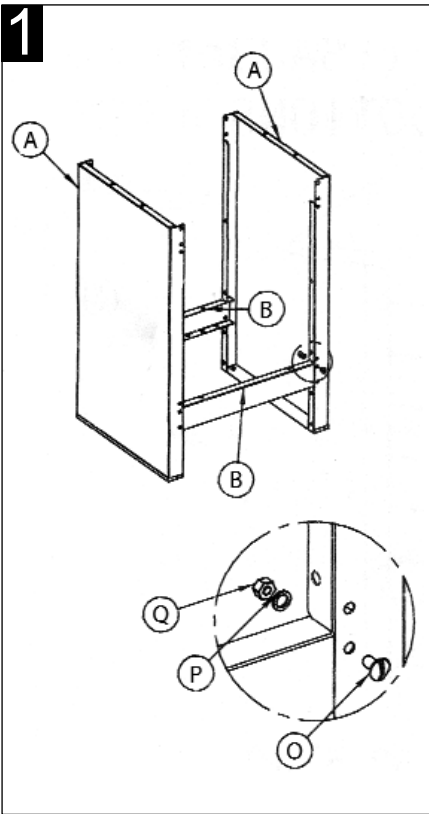


## 2. CONTENTS

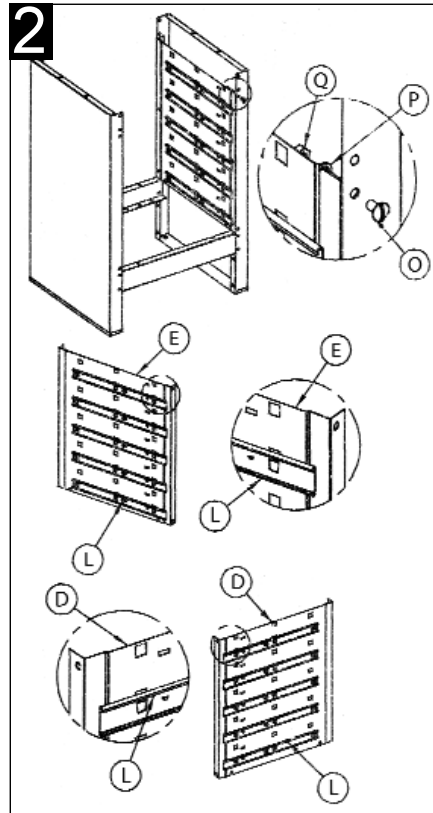
- 2.1 Carefully unpack the product and check the contents against the diagram below. Should any items be missing or damaged make immediate contact with your Sealey dealer.



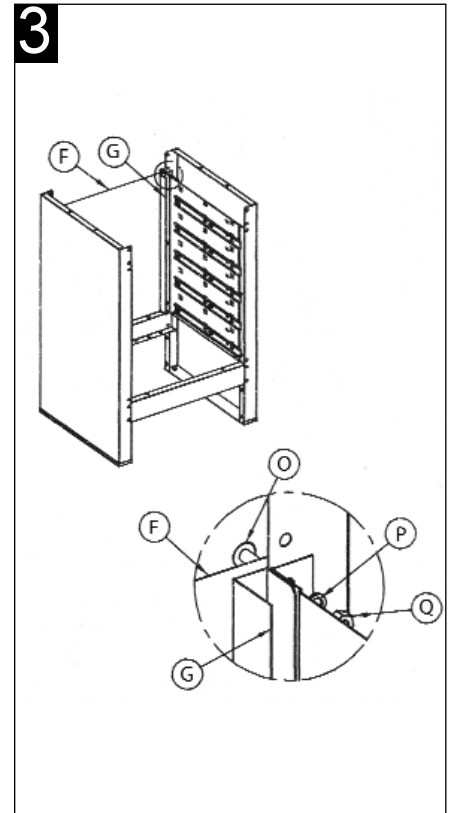
### 3. ASSEMBLY



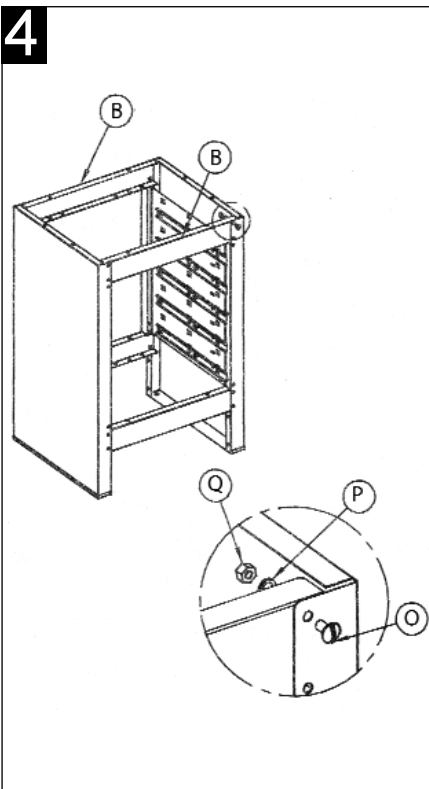
**STEP 1.** Take two crossrails (B) and bolt them to the cabinet sides (A) using 8 bolts (O), 8 lock washers (P), and 8 nuts (Q). Ensure that the pairs of holes that accept the corner braces are facing downwards. (Refer to STEP 5.)



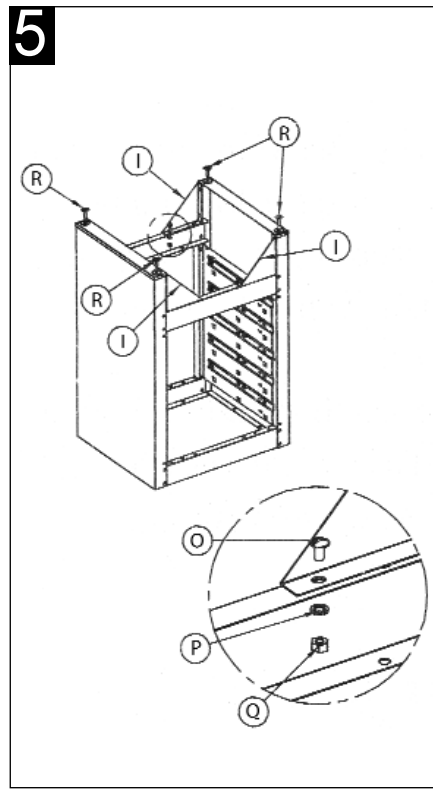
**STEP 2.** Bolt 1 left & 1 right slide panels (D) & (E) into position, only bolt at front of Work Bench using 4 bolts (O), 4 lock washers (P), and 4 nuts (Q). Fix 5 left hand female slide (L), onto each slide panel (D) and 5 right hand female slide (L), onto each slide panel (E) Refer to Diagram 9 on how to fit slides.



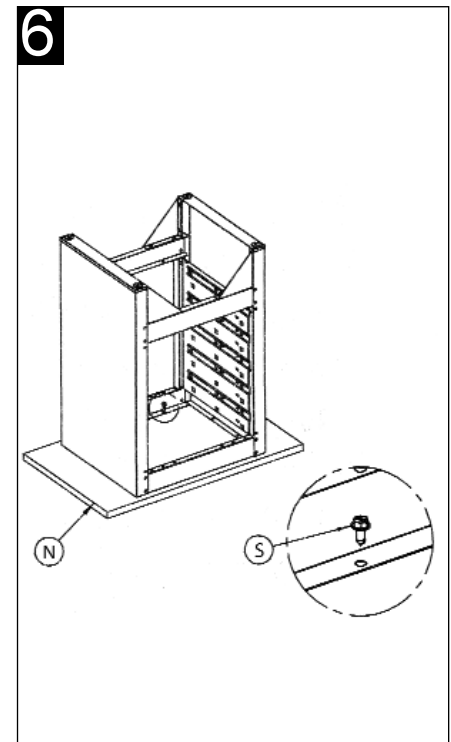
**STEP 3.** Take two draw stops (G) and back panel (F) and bolt them to the back of the cabinet with the draw stops between the panel and the cabinet. Use 4 bolts (O), 4 lock washers (P), and 4 nuts (Q).



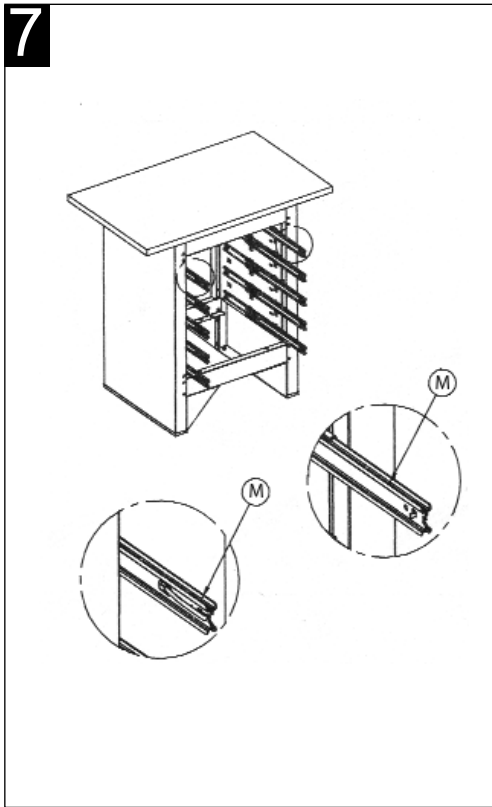
**STEP 4.** Take two crossrails (B) and bolt them to the cabinet sides (A) using 8 bolts (O), 8 lock washers (P), and 8 nuts (Q).



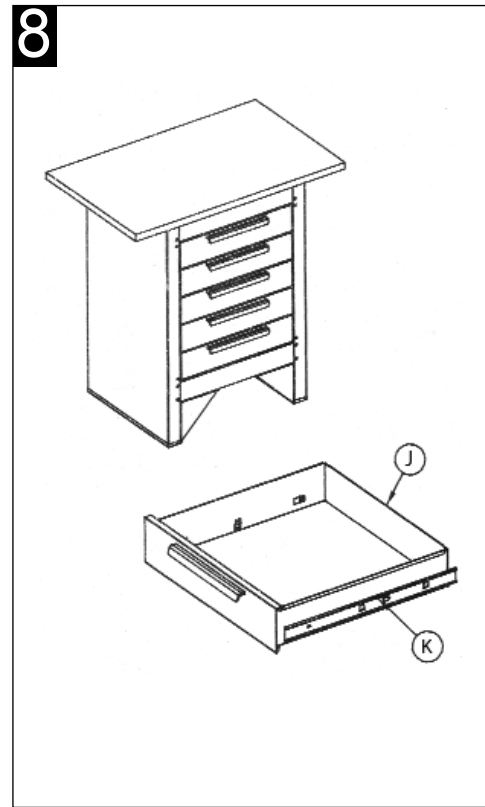
**STEP 5.** Screw in the four adjustable leg levellers (R). Bolt the four corner braces (I) into position using 16 bolts (O), 16 lock washers (P), and 16 nuts (Q)



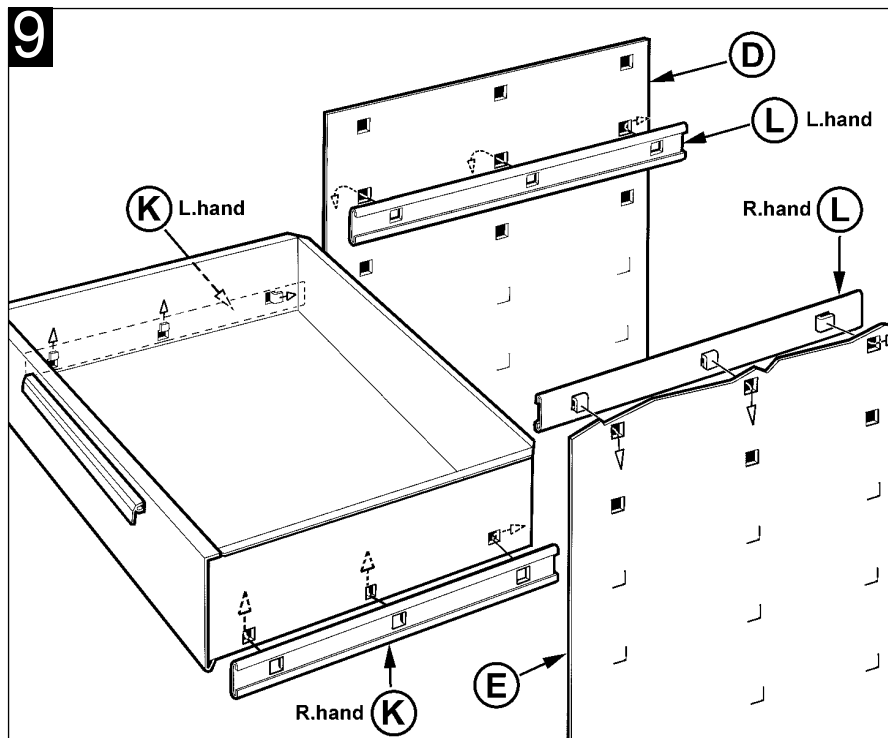
**STEP 6.** Place the wooden top (N) face down on a flat, clean, smooth surface. Position the cabinet upside down on the wooden top and mark the hole locations on the top. Move the cabinet to one side and drill 5/32" diameter x 1/2" deep holes in the top. DO NOT DRILL DEEPER THAN 1/2". Attach frame to top with the 4 hex head screws (S).



**STEP 7.** Take the 10 male slide components (M) and slide 5 onto the female slides on the left of the draw compartment and 5 onto the female slides on the right hand side of the draw compartment. Push them fully in to engage them, then pull them out to the stop point.



**STEP 8.** Attach a left hand female slide (K) to left hand side of each draw and a right hand female slide (K) to the right hand side of each draw (see diagram 9). Engage each draw onto the protruding male slides and push fully home, then open the draw to check that it is retained.



**Diagram 9.** Orientate each slide as shown in the diagram above with the rear hook pointing towards the rear of the draw or the rear of the cabinet. Put the rear hook on each slide into the square hole nearest the back of the draw or the back of the cabinet and push the slide backwards to engage the hook. Swivel the front of the slide up or down slightly until the other two hooks appear in the other two holes. Keep the rear face of the slide up against the draw or slide panel. On the draws pull the slide sharply upwards to engage it. On the cabinet push the slides down to engage.