

Thank you for purchasing a Sealey product. Manufactured to a high standard this product will, if used according to these instructions and properly maintained, give you years of trouble free performance.

IMPORTANT: READ THESE INSTRUCTIONS CAREFULLY. NOTE THE SAFE OPERATIONAL REQUIREMENTS, WARNINGS AND CAUTIONS. USE THIS PRODUCT CORRECTLY AND WITH CARE FOR THE PURPOSE FOR WHICH IT IS INTENDED. FAILURE TO DO SO MAY CAUSE DAMAGE AND/OR PERSONAL INJURY AND WILL INVALIDATE THE WARRANTY. PLEASE RETAIN THESE INSTRUCTIONS FOR FUTURE USE.

1. SAFETY PRECAUTIONS

1.1 GENERAL SAFETY INSTRUCTIONS.

- ✓ Read the operator's manual carefully before using your workbench.
- x **DO NOT** open more than one drawer at a time.
- x **DO NOT** step on the drawers.
- x **DO NOT** let children near the workbench.
- ✓ Ensure drawers are fully closed and self locking catch is activated before moving the workbench.
- ✓ Secure brakes when rollcab is in the desired position.

2. INTRODUCTION AND SPECIFICATIONS

Heavy gauge steel with double wall construction for extra strength and durability. Fitted with oversized, heavy-duty Ø160mm castors, two fixed and two locking castors. Ball bearing drawer runners provide superior performance and carry heavier loads. Each drawer fitted with catch to prevent unexpected opening when being transported around the workshop. Added security provided by side mounted cylinder lock. One lockable cupboard with internal shelving for added storage. Supplied with four keys, two for drawers, two for cupboards. Unique design incorporates perforated side panels for hanging tools and accessories. Rust and solvent resistant powder coat paint finish. Fitted with anti-shock protection on all four corners to prevent accidental damage. Heavy-duty metal work top makes these units very durable and a great workstation. Comprehensive range of accessories available.



AP2416.V2



AP2418.V2

Specifications	AP2416.V2	AP2418.V2
Overall Size		
Width	1130mm	
Depth	565mm	
Height	1000mm	
Drawers (Qty)		
Medium	3	6
Large	2	2
X - Large	1	
Drawer Width	533mm	533mm
Drawer Depth	391mm	391mm
Drawer Height (Medium)	58mm	58mm
Drawer Height (Large)	128mm	128mm
Drawer Height (X - Large)	195mm	

Optional Accessories	
Model No	Description
AP24ACC2	Side Shelf with Paper Roll Holder
AP24ACC3	Document Holder
AP24ACC4	Waste Bin
AP24ACC5	Can and Bottle Holder
AP24ACC6	Drawer Divider 3 x 395 x 58mm
AP24ACC7	Drawer Divider 3 x 395 x 120mm
AP24ACC9	Short Hook Set x 10pcs
AP24ACC10	Medium Hook Set x 10pcs

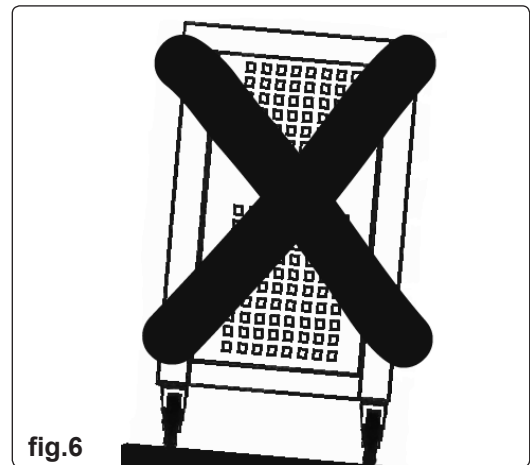
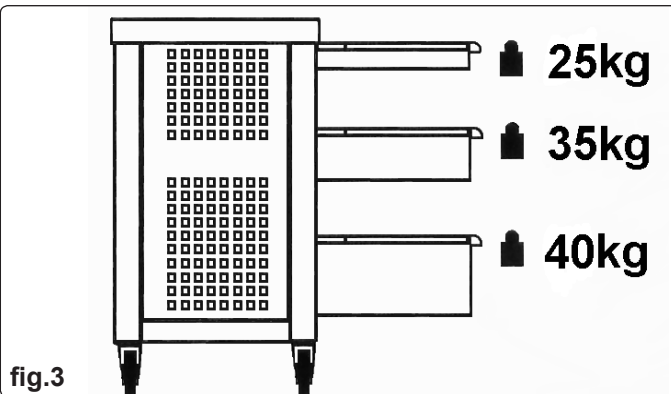
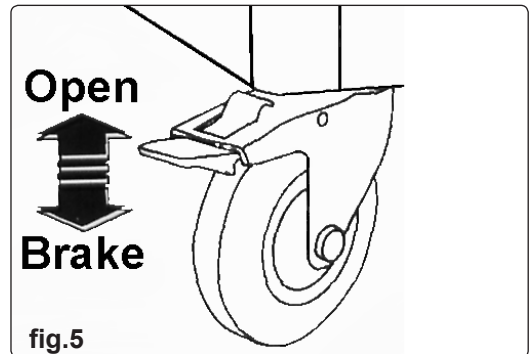
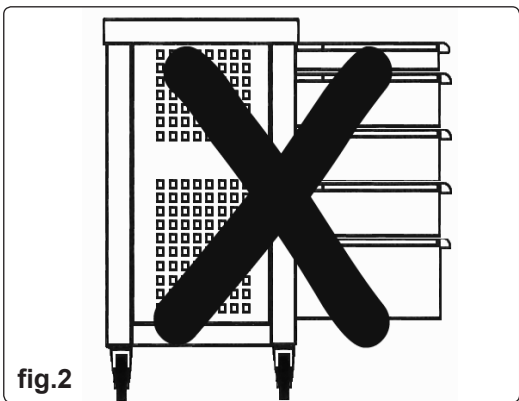
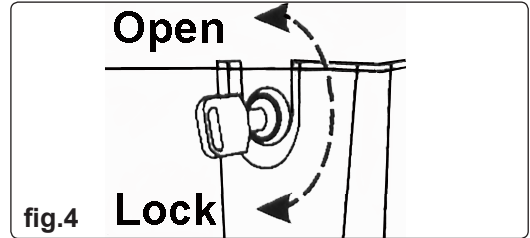
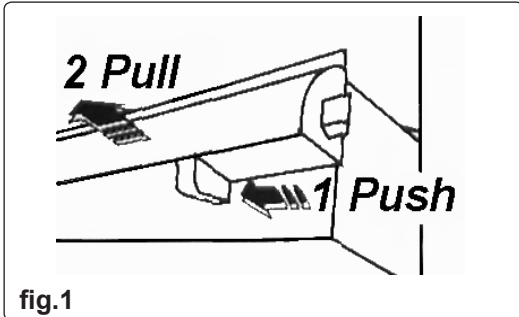
3. OPERATION

3.1 Each drawer is fitted with a catch mechanism on the right hand side of the drawer underneath the handle, to open drawer push the catch to the left to release the catch and pull the drawer open (fig.1).

WARNING! Only open one drawer at a time (fig.2) and **DO NOT** overload the drawers (fig.3) shows the maximum weight per drawer.

3.2 When moving the workbench, ensure that the drawers are closed and locked (fig.4) to prevent accidental opening, release the brakes as shown in fig.5 and move the workbench using the handles and maintain full control. When the workbench has been moved to the required location, lock the brakes.

WARNING! DO NOT move across slopes of more than 5 degrees as the workbench may tilt (fig.6).



NOTE: It is our policy to continually improve products and as such we reserve the right to alter data, specifications and component parts without prior notice.

IMPORTANT: No liability is accepted for incorrect use of product.

WARRANTY: Guarantee is 12 months from purchase date, proof of which will be required for any claim.

INFORMATION: For a copy of our latest catalogue and promotions call us on 01284 757525 and leave your full name and address, including postcode.