

Thank you for purchasing a Sealey product. Manufactured to a high standard this product will, if used according to these instructions and properly maintained, give you years of trouble free performance.

⚠ IMPORTANT: PLEASE READ THESE INSTRUCTIONS CAREFULLY. NOTE THE SAFE OPERATIONAL REQUIREMENTS, WARNINGS & CAUTIONS. USE THE PRODUCT CORRECTLY AND WITH CARE FOR THE PURPOSE FOR WHICH IT IS INTENDED. FAILURE TO DO SO MAY CAUSE DAMAGE OR PERSONAL INJURY, AND WILL INVALIDATE THE WARRANTY. PLEASE KEEP INSTRUCTIONS SAFE FOR FUTURE USE.

1. SAFETY INSTRUCTIONS

1.1 GENERAL SAFETY

- ❑ **WARNING!** Ensure Health & Safety, local authority, and general workshop practice regulations are adhered to when using this trolley.
 - ❑ **WARNING!** be careful to ensure that when closing the sliding top you do not catch any part of your body between the runners.
 - ✓ Always load evenly with the centre of gravity of the load as near centre of the trolley as possible.
 - ✓ Keep the work area clean, uncluttered and ensure there is adequate lighting.
 - ✓ Keep the trolley clean and tidy in accordance with good workshop practice.
 - ✓ Use the wheel locks to prevent the trolley from inadvertently moving.
 - ✓ Keep children and unauthorised persons away from the work area.
 - x **DO NOT overload the trolley.** Max Capacity 150kg
 - x **DO NOT** use the trolley for any purpose other than that for which it is designed.
 - x **DO NOT** stand on the trolley, use it as a ladder or allow others to ride on the trolley.
 - x **DO NOT** leave unattended, especially when loaded, unless the wheels are locked, chocked or the trolley otherwise secured.
 - x **DO NOT** use trolley on uneven ground and do not run over curbs or steps - use a ramp.
 - x **DO NOT** use trolley if any part is significantly damaged, paying particular attention to the wheels.
- Note! Do not force side drawers open, they will open only when the sliding top is open.**
Note! The assembly will require assistance.

2. INTRODUCTION & SPECIFICATION

Heavy gauge steel construction with lockable sliding top on smooth ball bearing runners. Two drawers which are locked when top is closed. Handle and oddments tray at each end. Two fixed wheels and two braked castors. Suitable for tools and parts.

Size (H x W x L)950 x 535 x 920mm
 Total load capacity150kg

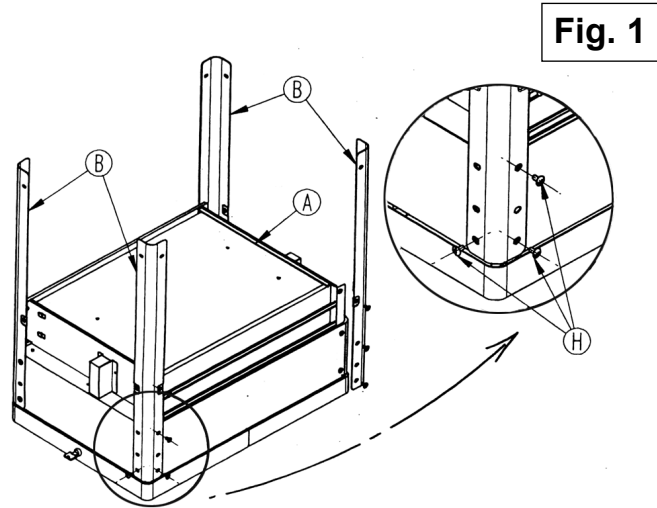
3. CONTENTS

3.1 Carefully unpack the product and check the contents.

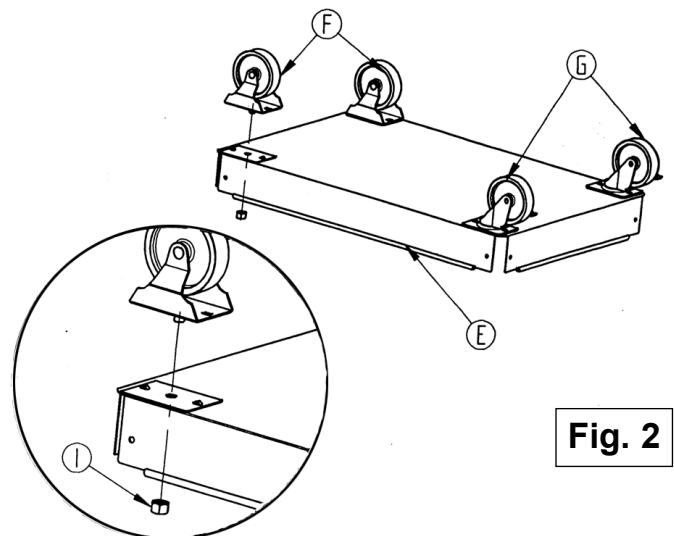
ITEM	QUANTITY
A) Upper tray with 2 rubber mats for surface	1
B) Legs	4
C) Side bins	2
D) Side handles	2
E) Bottom tray	1
F) Rigid wheels	2
G) Swivel, locking wheels	2
H) Screws	38
I) Large wheel nuts	4
J) Small nuts	13

4. ASSEMBLY

- 4.1 Remove trolley from the box and unlock the trolley with the keys attached. Slide the top of the main storage area open and remove all parts, check contents against contents list, if any parts are missing contact you local Sealey dealer immediately. Close the top storage area and lock the trolley before assembly.
- 4.2 Turn the main storage area upside down and place legs also up side down and attach with screws (H) as shown in diagram below (Fig. 1).



- 4.3 Take the base and turn it upside down then take two rigid wheels (F) and two swivel, locking wheels (G) and attach them using the large nuts, as shown in Fig. 2.



4.4 Next attach the base of the trolley to the legs. Do this by following the diagram below (Fig. 3) using the screws (H) and small nuts (J).

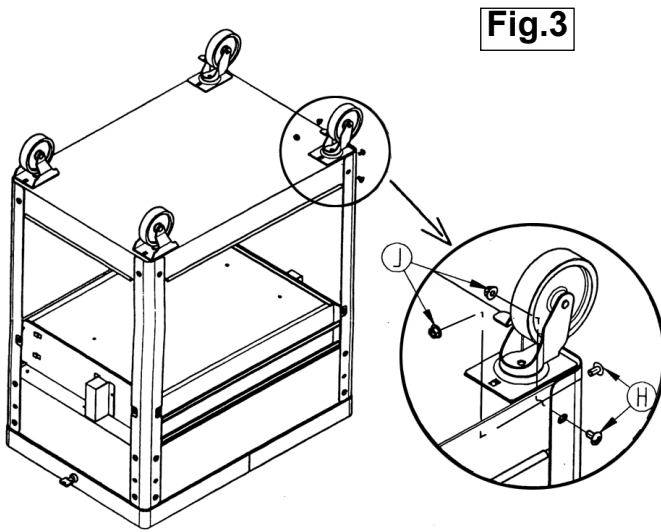


Fig.3

4.5 After completing 4.4, turn the trolley onto its wheels, from its upside down position.

Note! this is a heavy product and you will require assistance.

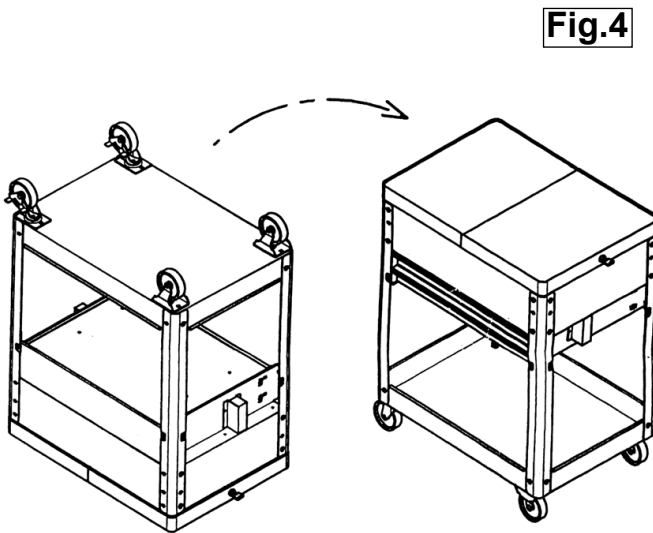


Fig.4

4.6 The handles (D) are held on by screws (H) which are fitted from inside the main storage compartment.

Note! It would be advantageous to have assistance to hold the handles in place while fixing.

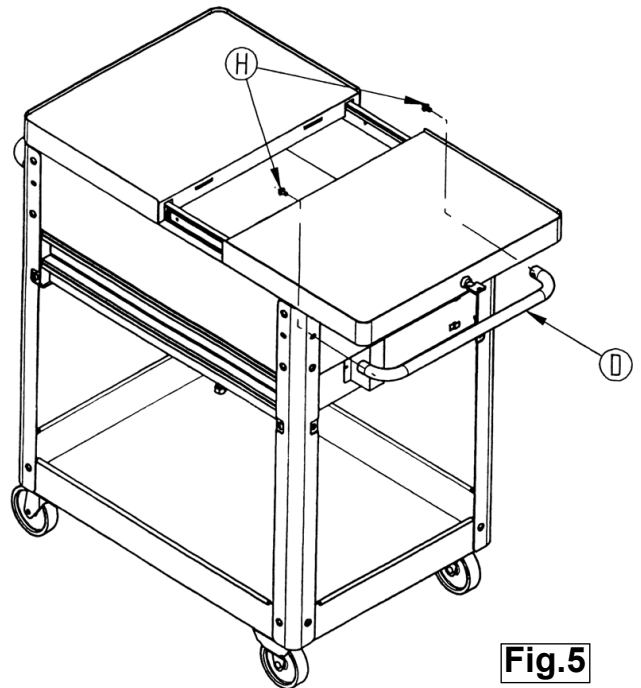


Fig.5

4.7 To attach the two side bins hold them up against the trolley just below the handles as shown in Fig. 6 and screw into place, then take two screws (H) and small nuts (J) and secure the bottom of the bins to the legs of the trolley.

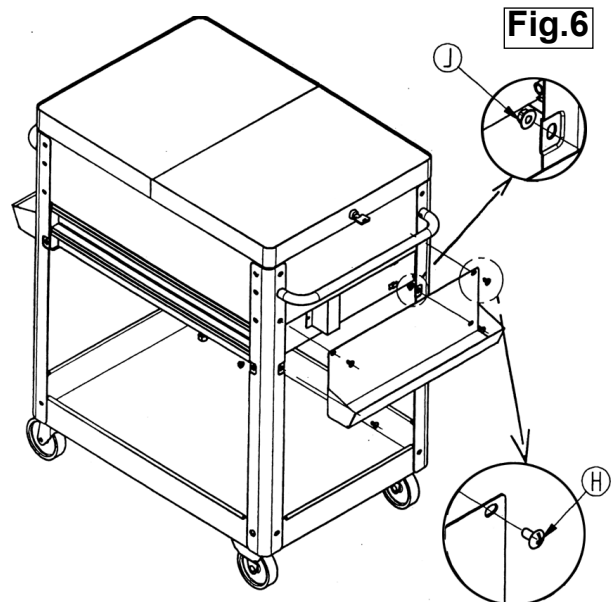


Fig.6

Parts support is available for this product. To obtain a parts listing and/or diagram, please log on to www.sealey.co.uk, email sales@sealey.co.uk or phone 01284 757500.

NOTE: It is our policy to continually improve products and as such we reserve the right to alter data, specifications and component parts without prior notice.

IMPORTANT: No liability is accepted for incorrect use of this product.

WARRANTY: Guarantee is 12 months from purchase date, proof of which will be required for any claim.

INFORMATION: For a copy of our catalogue and latest promotions call us on 01284 757525 and leave your full name, address and postcode.



Sole UK Distributor
Sealey Group,
Bury St. Edmunds, Suffolk.

01284 757500
01284 703534

www.sealey.co.uk
sales@sealey.co.uk