

Thank you for purchasing a Sealey product. Manufactured to a high standard this product will, if used according to these instructions and properly maintained, give you years of trouble free performance.



IMPORTANT: PLEASE READ THESE INSTRUCTIONS CAREFULLY. NOTE THE SAFE OPERATIONAL REQUIREMENTS, WARNINGS & CAUTIONS. USE THE PRODUCT CORRECTLY AND WITH CARE FOR THE PURPOSE FOR WHICH IT IS INTENDED. FAILURE TO DO SO MAY CAUSE DAMAGE AND/OR PERSONAL INJURY AND WILL INVALIDATE THE WARRANTY. PLEASE KEEP INSTRUCTIONS SAFE FOR FUTURE USE.

1. SAFETY INSTRUCTIONS

1.1. GENERAL SAFETY

- WARNING!** Ensure Health & Safety, local authority, and general workshop practice regulations are adhered to when using this base unit and the cabinet.
- ✓ Locate the base unit in a suitable work area.
- ✓ Keep the work area clean, uncluttered and ensure there is adequate lighting.
- WARNING!** Use the base unit on solid ground, preferably concrete.
- ✓ Keep children and unauthorised persons away from the work area.
- x **DO NOT** use the base unit for any purpose other than that for which it is designed.
- x **DO NOT** use the base unit outdoors.
- x **DO NOT** place the base unit in a damp or wet location or an area where there is condensation.
- x **DO NOT** clean the base unit with any solvents which may damage the surfaces or the protective coating.
- x **DO NOT** move the base unit and cabinet when there are items placed inside.
- x **DO NOT** step on the base unit.
- x **DO NOT** overload the base unit or cabinet.

2. INTRODUCTION

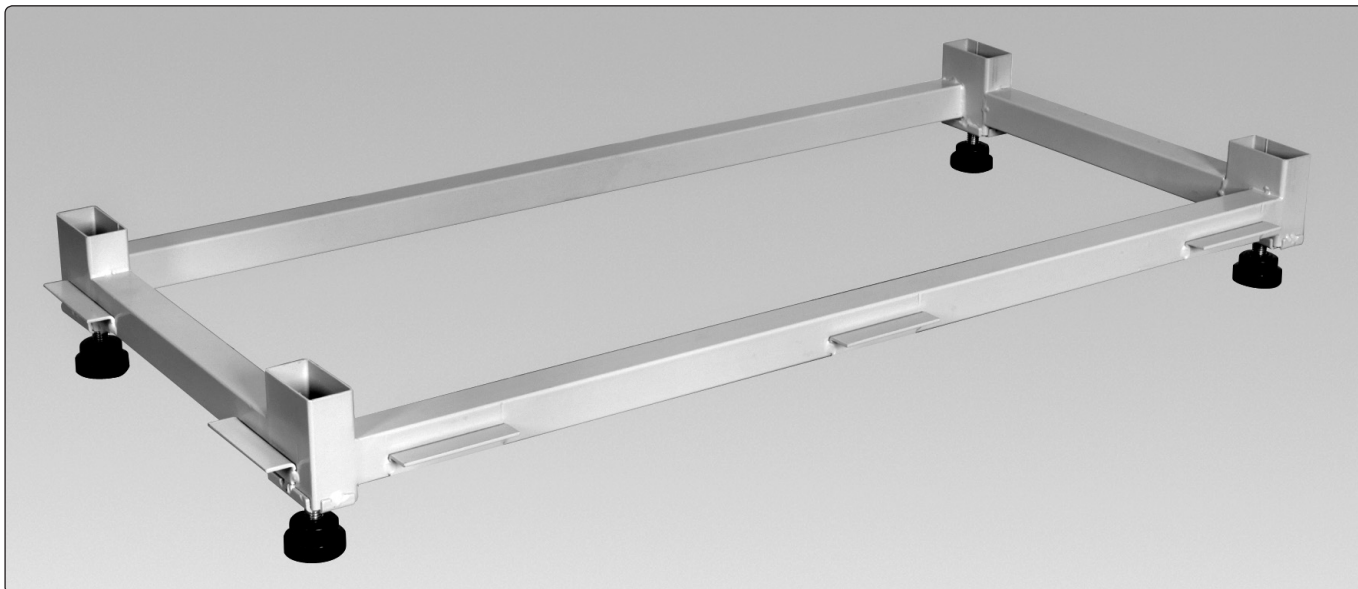
Optional Base for Model No's APICCOMBOH2, APICCOMBOF4, APICCOMBO2, APICCOMBO5 and APICCOMBO7. Features four height adjustable rubber feet for levelling on uneven floors, giving added stability to the unit.

Dimensions:

(W x D x H): 840 x 404 x 50mm.

3. INSTRUCTION

Place the base unit on a stable surface. Adjust the feet to level it if required. With the help of another person, carefully manoeuvre the cabinet over the base unit, locating it over the four corners and down onto the supporting brackets.



NOTE: It is our policy to continually improve products and as such we reserve the right to alter data, specifications and component parts without prior notice.

IMPORTANT: No liability is accepted for incorrect use of this product.

WARRANTY: Guarantee is 12 months from purchase date, proof of which will be required for any claim.

INFORMATION: For a copy of our latest catalogue and promotions call us on 01284 757525 and leave your full name and address, including postcode.

