

Thank you for purchasing a Sealey product. Manufactured to a high standard this product will, if used according to these instructions and properly maintained, give you years of trouble free performance.

IMPORTANT: READ THESE INSTRUCTIONS CAREFULLY. NOTE THE SAFE OPERATIONAL REQUIREMENTS, WARNINGS AND CAUTIONS. USE THE TOOL CORRECTLY AND WITH CARE FOR THE PURPOSE FOR WHICH IT IS INTENDED. FAILURE TO DO SO MAY CAUSE DAMAGE AND/OR PERSONAL INJURY AND WILL INVALIDATE THE WARRANTY. PLEASE KEEP INSTRUCTIONS SAFE FOR FUTURE USE.

1. SAFETY INSTRUCTIONS

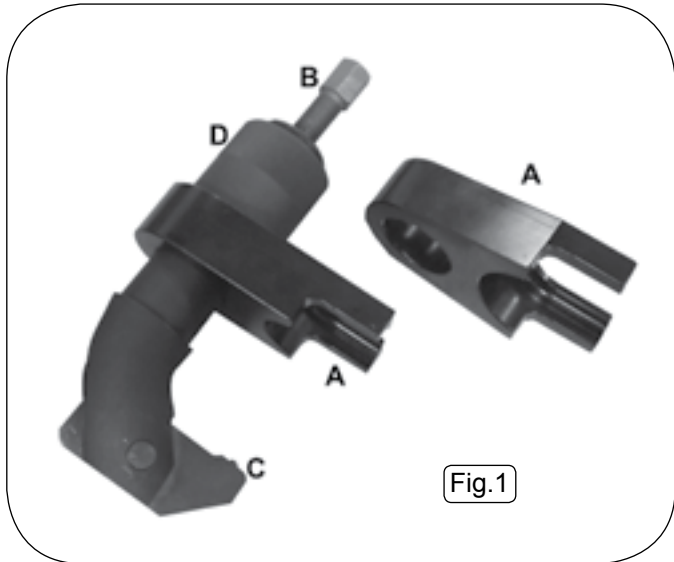
- WARNING!** Ensure Health and Safety, local authority and general workshop practice regulations are adhered to when using tools.
- DO NOT** use tools if damaged.
- Ensure that a vehicle which has been jacked up is adequately supported with axle stands and that the wheels are chocked, refer to the vehicle manufacturer's service instructions, or a proprietary manual.
- Wear approved eye protection. A full range of personal safety equipment is available from your Sealey dealer.
- Wear suitable clothing to avoid snagging. Do not wear jewellery and tie back long hair.
- DO NOT** use air tools to operate the force screw.
- Maintain tools in good and clean condition for best and safest performance.
- When not in use, clean and lubricate tool, and store in a safe, dry, childproof location.
- IMPORTANT:** This manual is provided as a guide only, refer to the vehicle manufacturer's service instructions, or a proprietary manual, to establish the current procedure and data.
- WARNING!** Failure to heed safety and warning instructions may result in damage and/or personal injury and will invalidate the warranty.
- WARNING!** The warnings, cautions and instructions referred to in this manual cannot cover all possible conditions and situations that may occur. It must be understood that common sense and caution are factors which cannot be built into this product, but must be applied by the operator.



2. APPLICATIONS / PARTS

- Interchangeable jaws and robust body, designed for the removal of ball joints fitted to commercial vehicles.

No.	Part No.	Part name
1	CV012.01	Main Body
2	CV012.02	Jaw (29x80x123L)
3	CV012.03	Jaw (29x64x121L)
4	CV012.04	Pressure lever
5	CV012.05	Pressure lever pin
6	CV012.11	Jaw adjusting nut



3. OPERATION

The capacity of this tool is 5tonnes.

Refer to Fig:1

- 3.1 Ensure the appropriate sized jaw (A) is used for the ball joint being worked on.
- 3.2 Back off the force screw (B) until the pressure lever (C) is at right angles to the main body.
- 3.3 Offer up the puller to the ball joint and adjust the jaw adjusting nut (D) until the tool clamps onto the joint.
- 3.4 Wind the force screw (B) clockwise until the joint is separated.
- 3.5 Take the weight of the ball joint splitter and wind back the force screw (B) anti-clockwise and remove from vehicle.

NOTE: It is our policy to continually improve products and as such we reserve the right to alter data, specifications and component parts without prior notice.

IMPORTANT: No liability is accepted for incorrect use of this product.

WARRANTY: Guarantee is 12 months from purchase date, proof of which will be required for any claim.

INFORMATION: For a copy of our latest catalogue and promotions call us on 01284 757525 and leave your full name and address, including postcode.

	Sole UK Distributor, Sealey Group, Kempson Way, Suffolk Business Park, Bury St. Edmunds, Suffolk, IP32 7AR	01284 757500 01284 703534	www.sealey.co.uk sales@sealey.co.uk
	©Jack Sealey Ltd	Original Language Version	CV012