



INSTRUCTIONS FOR: DRUM GRAB 3-LEG/360kg & 2-LEG/500kg CAPACITY.

MODEL Nos: **DG03 & DG04**

Thank you for purchasing a Sealey Product. Manufactured to a high standard this product will, if used according to these instructions and properly maintained, give you years of trouble free performance.



IMPORTANT: PLEASE READ THESE INSTRUCTIONS CAREFULLY. NOTE THE SAFE OPERATIONAL REQUIREMENTS, WARNINGS AND CAUTIONS. USE THIS PRODUCT CORRECTLY AND WITH CARE FOR THE PURPOSE FOR WHICH IT IS INTENDED. FAILURE TO DO SO MAY CAUSE DAMAGE AND/OR PERSONAL INJURY, AND WILL INVALIDATE THE WARRANTY. PLEASE KEEP INSTRUCTIONS SAFE FOR FUTURE USE.

1. SAFETY INSTRUCTIONS

- ✓ Ensure that the drum grab is in good working order. Take action for immediate repair. *The use of unauthorised parts may be dangerous and will invalidate the warranty.*
- ✓ Operate the drum grab in a suitable, well lit work area.
- ✓ Keep work area clean and tidy and free from unrelated materials.
- ✓ Ensure all non-essential persons keep a safe distance whilst lifting.
- ✗ **DO NOT** use to lift personnel.
- ✗ **DO NOT** carry loads over personnel.
- ✗ **DO NOT** leave suspended loads unattended.
- ☐ **DO NOT** use the drum grab if damaged.
- ✗ **DO NOT** allow untrained persons to operate the drum grab.
- ✗ **DO NOT** exceed the rated capacity of the drum grab.
- ✓ When not in use, store in a safe, dry, childproof area.
- 3 **Before** lifting the load ensure that the drum grab hooks are engaging with the rim and that there are no obstacles which may snag the load whilst it is being lifted.
- 3 **To avoid injury**, be fully aware of your own and other persons locations in relation to the lifting, and lowering, of the load.
- 7 **DO NOT** use with other attachments.
- 7 **DO NOT** allow the load to swing during lifting/transporting.
- 7 **DO NOT** allow the load to drop suddenly. Lower load with care, ensuring that you are fully aware of the condition of the surface onto which the load is to be placed.
- 7 **DO NOT** use this product to perform a task for which it is not designed.
- 7 **DO NOT** use whilst under the influence of drugs, alcohol or intoxicating medication.
- ☐ **WARNING! Failure to heed safety and warning instructions may result in damage and/or personal injury and will invalidate the warranty.**

2. INTRODUCTION & SPECIFICATION

- 2.1. **DG03** Manufactured from heavy-duty steel. Features 3 gripping hooks to provide maximum security and control when lifting. Suitable for lifting 205ltr vertical plastic and steel drums. Compatible for use with an overhead hoist.
DG04 Manufactured from heavy-duty steel with welded gripping hooks. Suitable for lifting 205ltr vertical steel drums with an overhead hoist. Hooks fit under the lip of the drum to provide a secure and stable lift.
- 2.2. **Model No:** **DG03**
Maximum Capacity: 360kg
Drum Size: 205litre
Weight: 4.5kg
- 2.3. **Model No:** **DG04**
Maximum Capacity: 500kg
Drum Size: 205litre
Weight: 5kg

3. ASSEMBLY INSTRUCTIONS/PARTS

- 3.1. Check contents from lists. In the unlikely event of missing or damaged parts consult your Sealey dealer immediately.
- 3.1.1 If supplied separately, only the pivot pin will require fitting on Model DG03, retained by a washer and a split pin.
- 3.1.2 On Model DG04 the pivot screw is retained by a hex nut and a split pin.
DO NOT over tighten.



Environmental Protection.
Recycle unwanted materials instead of disposing of them as waste. All tools, accessories and packaging should be sorted, taken to a recycle centre and disposed of in a manner which is compatible with the environment.



fig.1

| Item | fig.1 Parts DG03 Description |
|------|------------------------------|
| 1 | Drum Grab |
| 2 | Pivot Pin |
| 3 | ø20 Plain Washer |
| 4 | ø3 x 30 Split Pin |

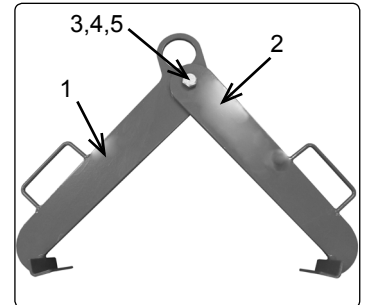


fig.2

| Item | fig.2 Parts DG04 Description |
|------|------------------------------|
| 1 | Jaw with Lifting Eye |
| 2 | Jaw |
| 3 | Hex Screw M16 X 30 |
| 4 | Hex Nut M16 |
| 5 | ø2 X 25 Split Pin |

4. OPERATION

- 4.1. With the drum grabs hooked up to the crane.
 - 4.1.1 Transport over to and above the centre of the drum.
 - 4.1.2 Lower the jaws to the approximate height, just below the rim.
 - 4.1.3 Slowly elevate the crane observing the gripping hooks engagement with the rim of the drum. Adjustment may be required.
 - 4.1.4 Raise the drum to a minimal height for transporting. Elevate fully, only when the loading point is reached. Hooks disengage automatically once the load is set down, but will require intervention to clear.

5. MAINTENANCE

- 5.1. Inspect items after each use for integrity, missing parts and damage.
- 5.2. Clean with moist cloth, allow to dry and store indoors.
- 5.3. Lubricate pin joints.

NOTE: It is our policy to continually improve products and as such we reserve the right to alter data, specifications and component parts without prior notice.
IMPORTANT: No liability is accepted for incorrect use of this product.

WARRANTY: Guarantee is 12 months from purchase date, proof of which will be required for any claim.

INFORMATION: For a copy of our latest catalogue and promotions call us on 01284 757525 and leave your full name and address, including postcode.



Sole UK Distributor, Sealey Group,
Kempson Way, Suffolk Business Park,
Bury St. Edmunds, Suffolk,
IP32 7AR



01284 757500



01284 703534



www.sealey.co.uk



sales@sealey.co.uk