

Thank you for purchasing a Sealey Fan Heater. Manufactured to a high standard this product will, if used according to these instructions and properly maintained, give you years of trouble free performance.

**IMPORTANT: PLEASE READ THESE INSTRUCTIONS CAREFULLY. NOTE THE SAFE OPERATIONAL REQUIREMENTS, WARNINGS AND CAUTIONS. USE THIS PRODUCT CORRECTLY AND WITH CARE FOR THE PURPOSE FOR WHICH IT IS INTENDED. FAILURE TO DO SO MAY CAUSE DAMAGE AND/OR PERSONAL INJURY AND WILL INVALIDATE THE WARRANTY. PLEASE KEEP INSTRUCTIONS SAFE FOR FUTURE USE.**



## 1. SAFETY INSTRUCTIONS

### 1.1. ELECTRICAL SAFETY

**WARNING! ELECTRICAL INSTALLATION OF THE HEATER TO A 3-PHASE 415VOLT SUPPLY MUST ONLY BE CARRIED OUT BY A QUALIFIED ELECTRICIAN.**

**Make sure the power supply cable is correctly connected to the earth. It is the user's responsibility to read, understand and comply with the following:**

You must check all electrical equipment and appliances to ensure they are safe before using. You must inspect power supply leads, plugs and all electrical connections for wear and damage. You must ensure the risk of electric shock is minimised by the installation of appropriate safety devices. An RCCB (Residual Current Circuit Breaker) should be incorporated in the main distribution board. **You must** also read and understand the following instructions concerning electrical safety.

1.1.1. The **Electricity At Work Act 1989** requires all portable electrical appliances, if used on business premises, to be tested by a qualified electrician, using a Portable Appliance Tester (PAT), at least once a year.

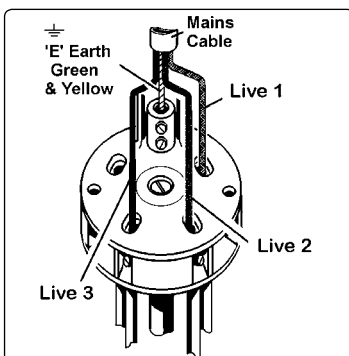
1.1.2. The **Health & Safety at Work Act 1974** makes owners of electrical appliances responsible for the safe condition of the appliance and the safety of the appliance operator. **If in any doubt about electrical safety, contact a qualified electrician.**

1.1.3. Ensure insulation on all cables and the product itself is safe before connecting to mains power supply.

1.1.4. Ensure that cables are always protected against short circuit and overload.

1.1.5. Regularly inspect power supply, leads, plugs and all electrical connections for wear and damage, especially power connections, to ensure that none are loose.

1.1.6. **Important:** Ensure the voltage marked on the product is the same as the electrical power supply to be used. A three phase plug must be fitted to this machine.



- 1.1.7. **DO NOT** pull the powered appliance by the power cable.
- 1.1.8. **DO NOT** pull power plugs from sockets by the power cable.
- 1.1.9. **DO NOT** use worn or damaged leads, plugs or connections. Immediately replace or have repaired by a qualified electrician.
- 1.1.10. **This product must be fitted with a 3-phase plug according to the diagram, and will require a minimum of, 16Amps per phase for EH5001 and EH9001, and 32Amps for EH15001, of electrical supply. You must contact a qualified electrician to ensure an appropriately fused supply is available.** Connect GREEN/YELLOW wire to earth (E) terminal (⊕). Connect the live wires to live 1, 2 and 3. **When completed, check that there are no bare wires, that all wires have been connected correctly, that the cable external insulation extends beyond the cable restraint and that the restraint is tight.**

### 1.2. GENERAL SAFETY

#### 1.2.1. MAINTENANCE PRECAUTIONS

- WARNING!** Disconnect the heater from the mains power supply, before servicing or performing any maintenance. Servicing or maintenance must only be carried out by an authorised service agent.
- ✓ Check that the heater is in sound condition and good working order. Take immediate action to repair or replace damaged parts.
- ✓ Use recommended parts only. Unapproved parts may be dangerous and will invalidate the warranty.
- ✗ **DO NOT** attempt to repair a damaged heater, contact an authorised service agent.

#### 1.2.2. POSITIONING OF HEATER

- WARNING! DO NOT** use the heater near flammable material, liquids, solids, gases or compressed gas cylinders etc.
- ✗ **DO NOT** place the heater close to a bath, wash basin, shower, swimming pool or any other water-filled area or wet surface.
- ✗ **DO NOT** place the heater up against any surface such as a wall, door or furniture etc.
- ✗ **DO NOT** place the heater immediately below any electrical outlet.
- ✓ Position the heater at least a minimum of 0.5mtr at the rear and sides, and 2mtr at the front, from any walls or objects.
- ✗ **DO NOT** place the heater on a raised surface or anywhere where it could topple over.

### 1.2.3. OPERATIONAL PRECAUTIONS

- ✓ The heater must only be used by people who have read these instructions and have been trained in its use.
- ✗ **DO NOT** obstruct the air inlet and outlet sections of the heater.
- ✗ **DO NOT** cover the heater.
- ✗ **DO NOT** touch the heater casing or grille when first switched off, as these will be very hot and will take time to cool.
- ✗ **DO NOT** get the heater wet or use in areas of high condensation.
- ✗ **DO NOT** allow the power lead to touch hot surfaces.
- ✗ **DO NOT** connect the heater to a timer device or other equipment than can automatically switch the heater on or off.
- ✓ If an extension cable is required it must be of the same cross section as the heater cable. It must be as short as possible and fully unwound.
- ✗ **DO NOT** connect other appliances to the same mains socket as the heater.

### 1.2.4. COMMON SENSE PRECAUTIONS

- ✗ **DO NOT** operate the heater when you are tired or under the influence of alcohol, drugs or intoxicating medication.
- ✗ **DO NOT** stand on the heater.
- ✗ **DO NOT** use the heater with wet hands or when there is water on the power cord.
- ✓ Ensure that the heater is correctly turned off when not in use and store in a safe, dry, childproof location.
- ✗ **DO NOT** use the heater for anything other than its intended purpose. It is designed to provide heat in enclosed areas larger than 4m<sup>2</sup>, such as workshops and other industrial areas. It is not suitable for drying clothes or laundry.

## 2. INTRODUCTION

Electric fan heaters for industrial applications. Model No's. EH5001 & EH9001 feature two heat settings and fan only option. Model No. EH15001 features three heat settings and adjustable thermostat control with fan only option. Auto cooling system to prevent unit from overheating during use. A totally dry heat with no condensation, no gas, no fumes, no smell. Ideal for workshops and garages. Model No. EH5001 & EH9001 supplied with three phase power cable and plug. Model No. EH15001 supplied with three phase plug (extension lead required).

## 3. SPECIFICATION

Model No:	EH5001	EH9001	EH15001
IP Class:	IPX4	IPX4	IPX4
Max. Power:	5000W	9000W	15000W
Supply:	415V-16A	415V-16A	415V-32A
Heat Settings:	.2500/5000W	.4500/9000W	.5000/10000/15000W
Self Resetting-			
Thermostat:	0 - 40°C	0 - 40°C	0 - 40°C
Size (mm):	315x330x400	350x405x460	495x520x860

### IMPORTANT!

This unit is designed to raise the ambient temperature of an entire room, the temperature of the air coming out of the front of the heater will be warmer than the general temperature of the room, but there may not be a significant increase owing to the large volume of air passing over the element. For the same reason, the element is hot during operation, but does not glow. The room temperature depends on room size, insulation and ambient temperature, which will increase as the room warms.

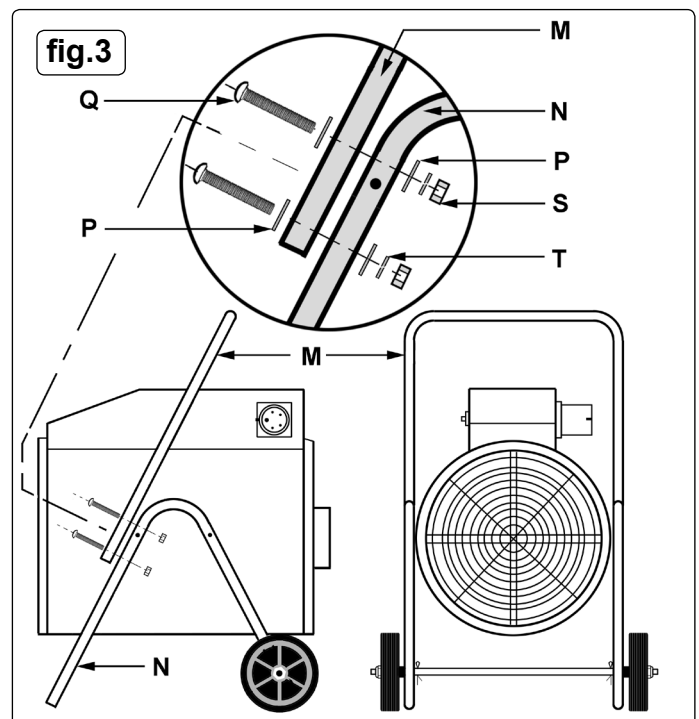
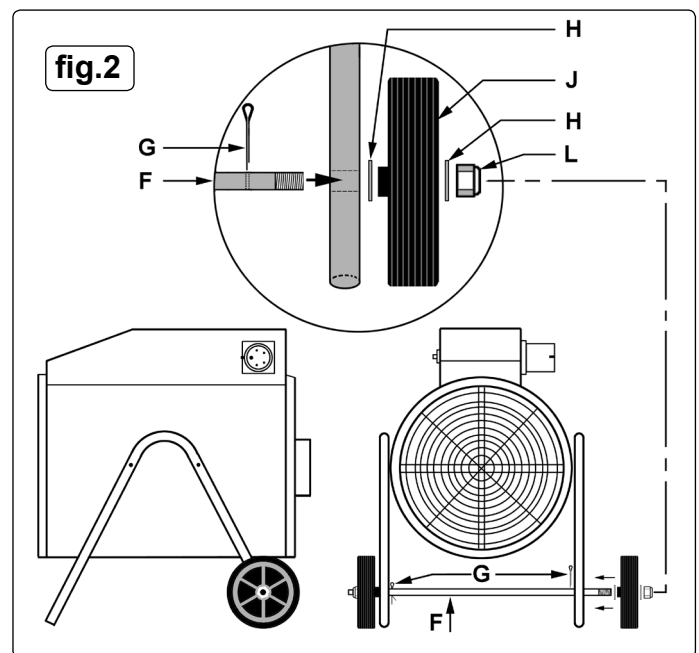
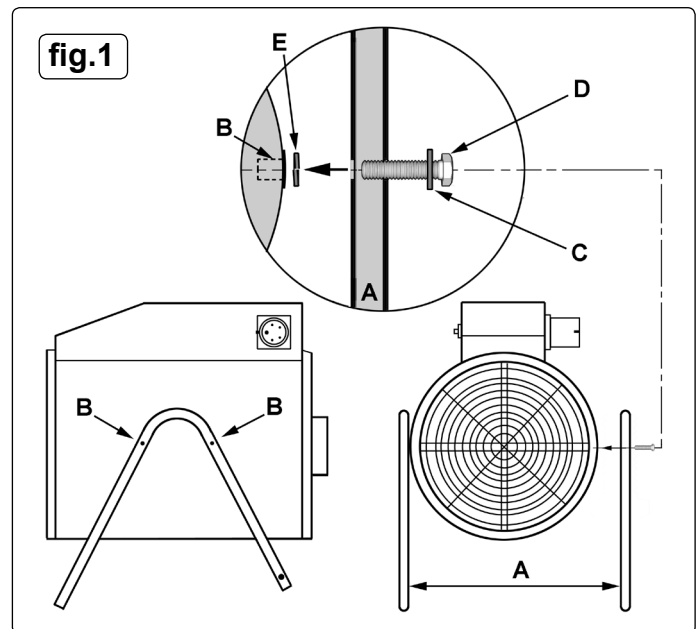
## 4. ASSEMBLY (EH15001 ONLY)

### 4.1. ASSEMBLY OF THE LEGS. (See fig.1)

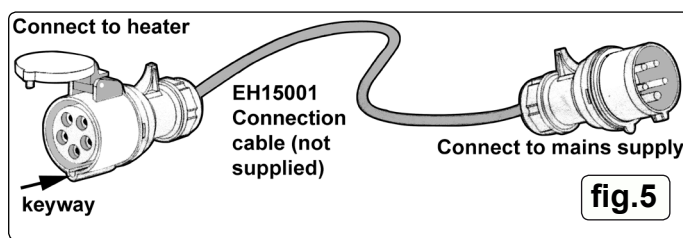
- 4.1.1. On either side of the heater body there are two threaded inserts (B) for mounting the 'V' shaped leg frames (A). Note that the axle hole at the shorter end of the 'V' frames should be orientated towards the back of the heater.
- 4.1.2. Take two M8 x 40mm bolts (D) and slide a plain washer (C) onto each one. Insert a bolt through each of the mounting holes on the leg frame and slide a split washer (E) over each protruding bolt. Align the bolts with the two threaded inserts (B) on the heater body and screw them down securely.
- 4.1.3. Mount the other 'V' frame to the other side of the heater body in the same way.

### 4.2. ASSEMBLY OF THE WHEELS. (See fig.2)

- 4.2.1. Take the axle rod (F) and insert it through the holes in the 'V' frames so that the threaded rod ends protrude equally either side. Retain the axle rod in this position by inserting a split pin (G) through the holes situated just on the inside of each leg frame.



- 4.2.2. Slide a plain washer (H) over each end of the axle rod, followed by a wheel (J) followed by another plain washer (H).
- 4.2.3. Screw a nyloc nut (L) onto each end of the axle by hand until it begins to bite. Hold one nut steady with a 19mm spanner and progressively tighten each nut until it bottoms out on the thread.
- 4.3. ASSEMBLY OF THE HANDLE.** (See fig.3)
- 4.3.1. Slide a plain washer over each of the four M5 x 50mm bolts supplied.
- 4.3.2. Lay the 'U' shaped handle frame onto the front face of the leg frames and align the two holes at each end of the handle frame with the two holes in each leg frame. Insert two bolts at each joint as indicated in fig.3.
- 4.3.3. Whilst continuing to support the handle frame slide a plain washer (P) followed by a split washer (T) onto the end of each protruding bolt and retain them with a nut (S). Tighten all four nuts with an 8mm spanner.

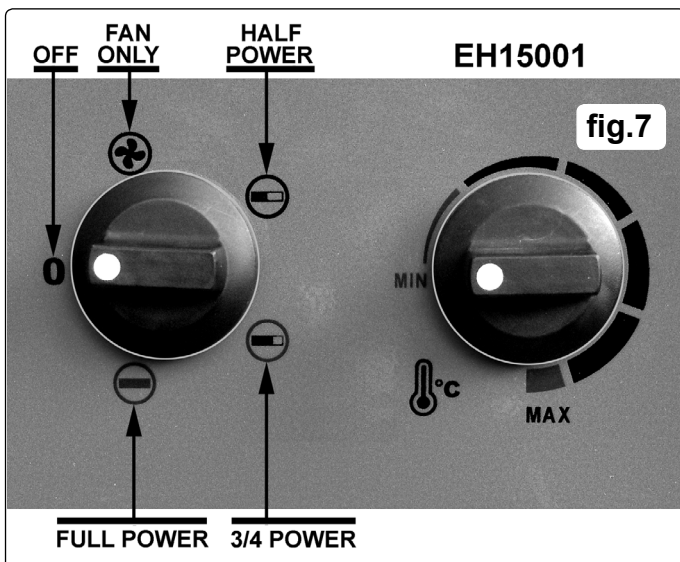
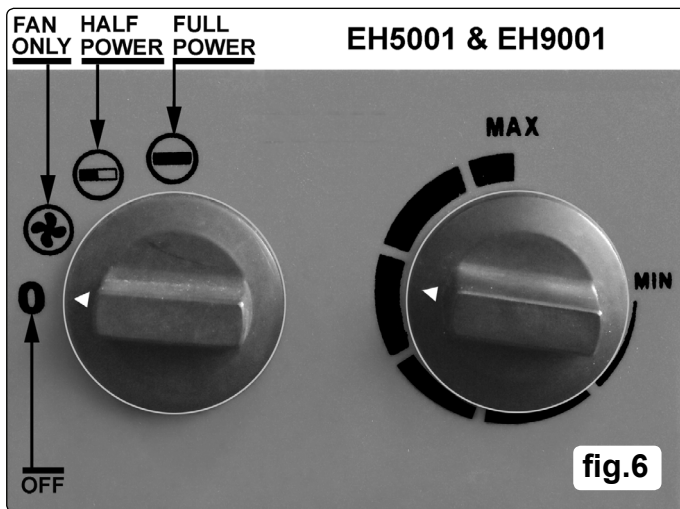


- 4.4. CONNECTING EH15001 TO MAINS SUPPLY**
- 4.4.1. The EH15001 heater is supplied with a protected 5 pin connector mounted on the side of the control housing. In order to connect to the mains it will be necessary to have the extension cable shown in fig.5 made up by a qualified electrician. (This connector is not supplied with the machine.) The cable should be no shorter than 1.8mtr and no longer than 3.0mtr.
- 4.4.2. Before connecting the EH15001 to the mains ensure that the selector switch is set to OFF and the thermostat is set at minimum.
- 4.4.3. Hold open the protective cover on the socket connector on the extension lead as shown above and present it to the heater connector in the correct orientation so that the spigot on the heater connector passes into the keyway on the socket connector. Push the socket connector fully home.
- 4.4.4. Connect the other end of the extension cable to the mains supply.

- 4.5. EH15001 THERMOSTATIC PROTECTION.**
- 4.5.1. The EH15001 has a thermal cut out to prevent the unit from overheating for any reason, especially if the air input is restricted. If the temperature of the front grille reaches 45°C a thermal cutout will operate, turning off the heating elements. When the fan has cooled the unit to 40°C, normal thermostatic operation will resume.
- 4.5.2. **AUTO COOLING.** It is recommended that the thermostat should be set to the minimum to cool the unit prior to switching off. If the unit is switched off when operating at full temperature, and the front grille has reached 45°C, the time delay thermostat will keep the fan running to cool down the unit. When the front grille has cooled to 40°C the fan will stop running.
- 4.5.3. **NOTE: Auto cooling will only function if the unit is plugged into the mains and the mains is ON.**

**5. OPERATION (ALL HEATERS)**

- 5.1. Position heater in an upright position on a firm surface and at a safe distance from any obstructions, flammable substances etc. Keep to a minimum of 0.5mtr clearance at the rear and sides, and 2mtr clearance at the front.
- 5.2. Connect the heater to a suitable mains supply.
- 5.3. Referring to either fig.6 or fig.7, set the thermostat dial to the maximum setting (fully clockwise).
- 5.4. The heater will switch on when the power setting selector is set to one of the power settings.
- NOTE: It will take up to three minutes for the heater to reach optimum temperature.**
- 5.5. Once the room reaches the required temperature, turn the thermostat dial slowly counter-clockwise until the thermostat clicks, leave the dial in this position and the room temperature will be maintained at this setting. The heater will continue to operate until the power switch is turned to the OFF position.
- 5.6. For fan only operation, turn the power/fan selector to the fan only setting and set the thermostat to its minimum setting.
- 5.7. When not in use, disconnect the heater from the mains supply. Store it in a safe, dry, childproof location.





## 6. MAINTENANCE

**WARNING!** Before attempting any maintenance, ensure that the unit is unplugged from the mains power supply and that it has cooled down.

- 6.1. Clean the heater with a soft dry cloth only. **DO NOT** use abrasives or solvents.
- 6.2. Periodically check the heater grille to ensure that it is not blocked. No other maintenance is necessary. If a problem with the heater is experienced, or if the power lead or plug is damaged, contact your local authorised service agent for repair. **DO NOT** dismantle or tamper with the heater, as this may be dangerous and will invalidate the warranty.

**NOTE:** It may take up to three minutes for the heater elements to reach optimum temperature. This is normal and not a fault.



### Environmental Protection.

Recycle unwanted materials instead of disposing of them as waste. All tools, accessories and packaging should be sorted, to a recycling centre and disposed of in a manner which is compatible with the environment.

When the product is no longer required, it must be disposed of in an environmentally protective way.

**NOTE:** It is our policy to continually improve products and as such we reserve the right to alter data, specifications and component parts without prior notice.

**IMPORTANT:** No liability is accepted for incorrect use of this product.

**WARRANTY:** Guarantee is 12 months from purchase date, proof of which will be required for any claim.

**INFORMATION:** For a copy of our latest catalogue and promotions call us on 01284 757525 and leave your full name and address, including postcode.



Sole UK Distributor, Sealey Group,  
Kempson Way, Suffolk Business Park,  
Bury St. Edmunds, Suffolk,  
IP32 7AR



01284 757500



www.sealey.co.uk



01284 703534



sales@sealey.co.uk