

Thank you for purchasing a Sealey product. Manufactured to a high standard this product will, if used according to these instructions and properly maintained, give you years of trouble free performance.

**IMPORTANT: PLEASE READ THESE INSTRUCTIONS CAREFULLY. NOTE THE SAFE OPERATIONAL REQUIREMENTS, WARNINGS & CAUTIONS. USE THE PRODUCT CORRECTLY AND WITH CARE FOR THE PURPOSE FOR WHICH IT IS INTENDED. FAILURE TO DO SO MAY CAUSE DAMAGE OR PERSONAL INJURY, AND WILL INVALIDATE THE WARRANTY. PLEASE KEEP INSTRUCTIONS SAFE FOR FUTURE USE.**

**1. SAFETY INSTRUCTIONS**

**1.1 GENERAL SAFETY**

- ❑ **WARNING!** Ensure Health & Safety, local authority, and general workshop practice regulations are adhered to when using this equipment.
- ✓ Maintain the turn tables in good condition (use an authorised service agent).
- ✓ Replace or repair damaged parts. Use genuine parts only. Unauthorised parts may be dangerous and will invalidate the warranty.
- ✓ Locate turn tables in a suitable working area, keep area clean and tidy and free from unrelated materials.
- ❑ **WARNING!** Use turn tables on level and solid ground.
- ✓ Keep the turn tables clean to ensure accurate performance.
- x **DO NOT** use outside in damp or wet weather conditions.
- x **DO NOT** allow untrained persons to operate the turn tables.
- x **DO NOT** leave a vehicle unattended on the the turn tables.
- ❑ **WARNING!** When setting front end alignment on commercial vehicles never make adjustments to drop arms or interconnecting links. Doing so could result in serious tyre, wheel and steering problems.
- ✓ Any alignment changes deemed necessary as a result of using this equipment must be made strictly in accordance with the vehicle manufacturer's recommendations.



**2. INTRODUCTION**

The GA44.V2 steering turntables are supplied as a pair and enable the accurate measurement of **toe-in/out** and **full lock**. Because measurements are taken with the vehicle stationary the turntables are provided with a low profile two-way sliding action to accommodate the complex turning movement of the vehicle's steering geometry. Locking pins are provided to lock the sliding action whilst the vehicle is positioned onto the turntables.

The GA44.V2 is also a valuable accessory to be used in conjunction with the GA42 gauge set for accurate measurement of castor and king pin alignment. The turntables will measure up to 45° rotation in either direction. The maximum loading for a pair of turntables is 1360kg (680cwt).

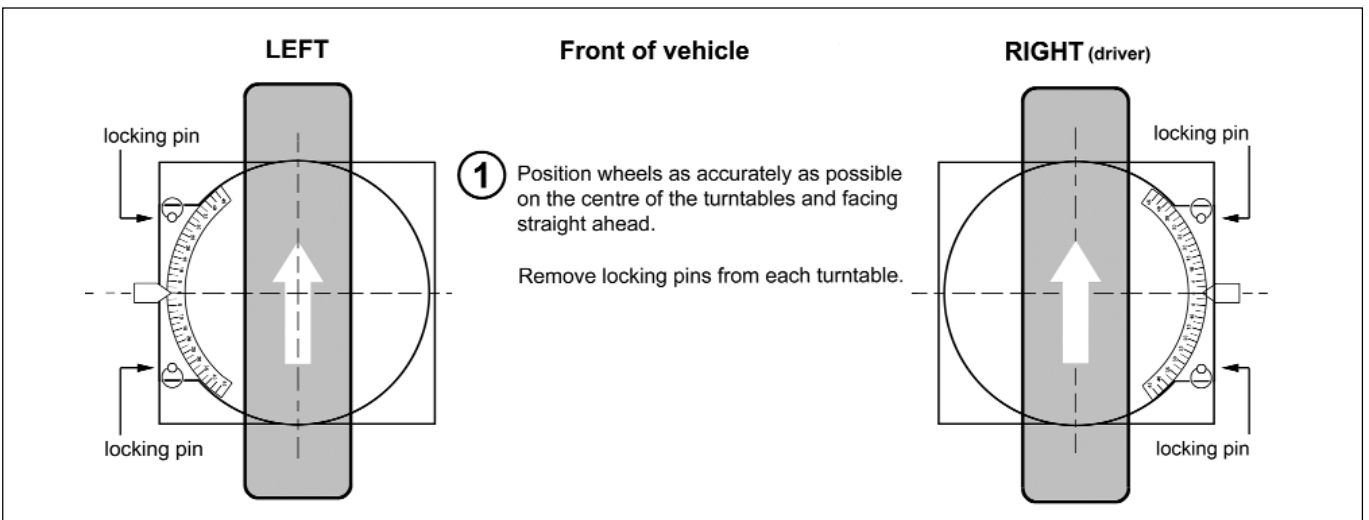
**3. SPECIFICATION**

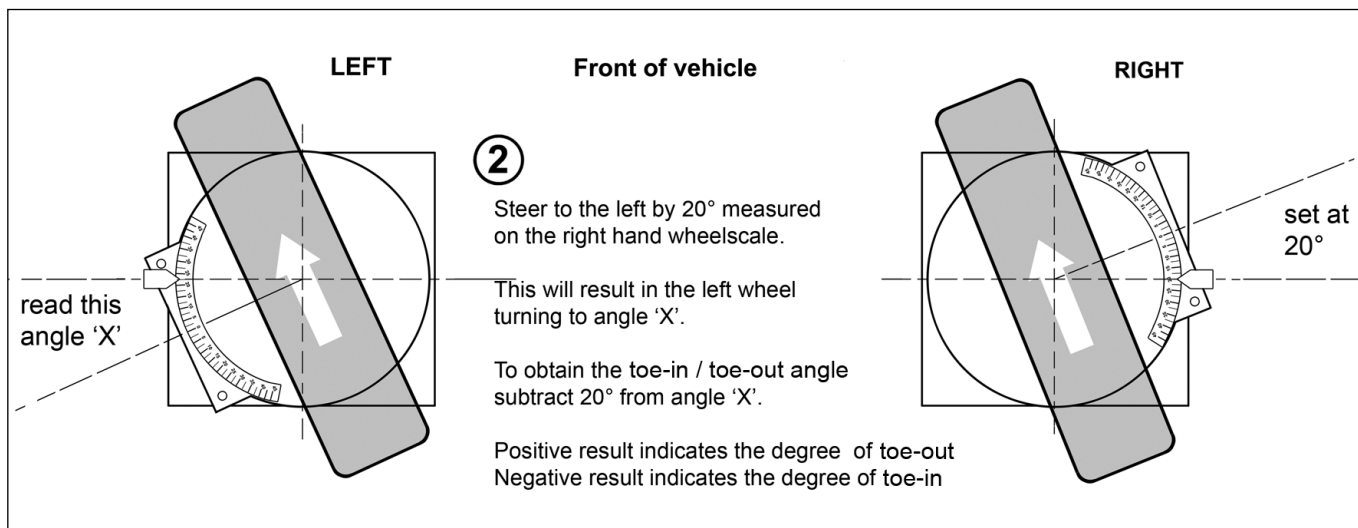
Model No: .....GA44  
 Range: .....±45°  
 Table Diameter: .....343mm

Table Height: .....50mm  
 Table Movement: ... .63mm Front-to-back, 50mm Side-to-side  
 Capacity: .....1360kg pair, 680kg each

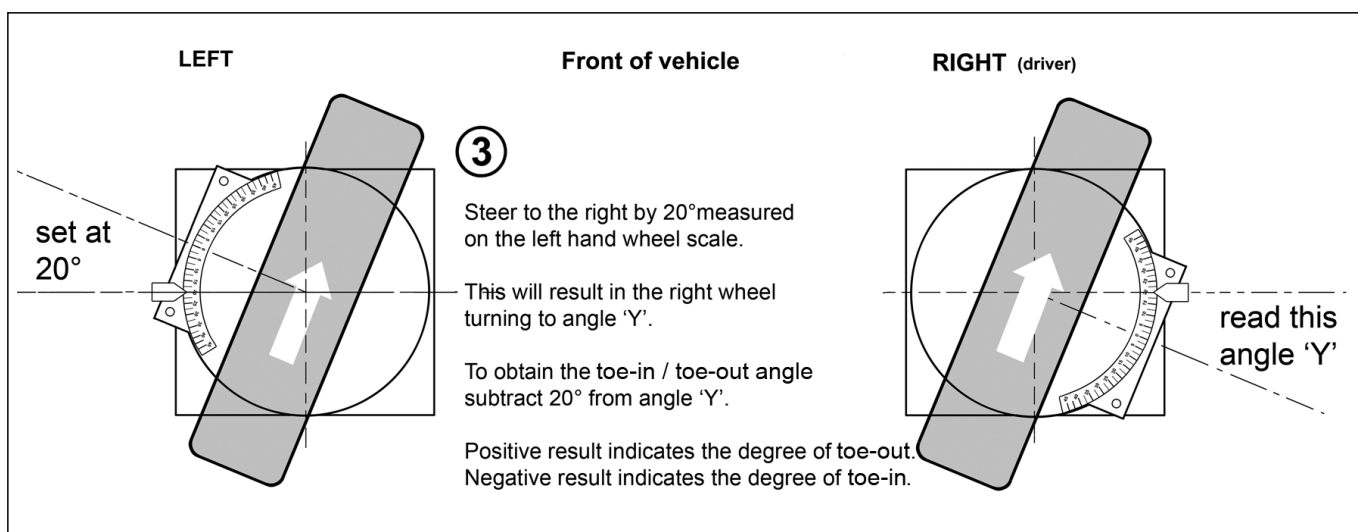
**4. PREPARATION AND USE**

- 4.1 Before use, lock the sliding action of each turntable by inserting the locking pins.
- 4.2 The turntables must be placed on a dry, non-slip surface to prevent them moving when the vehicle is driven onto them. Place a turntable in front of each wheel with the turntable itself centred on the tyre and the scale facing outwards to the left or right. Ensure that the two turntables are in line with each other and parallel to the front of the vehicle. With the locking pins still in position, drive the vehicle onto the turntables until the centres of the wheels are positioned over the centres of the respective turntables as shown below. The process will be easier if a second person is available to give guidance. Switch off the engine and engage the handbrake. Remove the locking pins from each turntable.





4.3 Measure the **WHEEL ANGLES** and the **TOE-IN/OUT ANGLES** for both left and right steering as described above and below. **COMPARE YOUR READINGS WITH THE VEHICLE MANUFACTURER'S RECOMMENDATIONS.**



- 4.4 To measure **FULL LOCK** set the equipment up as described above in sections 4.1 and 4.2 and as shown in diagram 1.
- 4.5 Remove the turntable locking pins.
- 4.6 Steer the wheels to **FULL LEFT LOCK** and take a reading from the right hand wheel.
- 4.7 Steer the wheels to **FULL RIGHT LOCK** and take a reading from the left hand wheel.
- 4.8 **COMPARE READINGS AND CHECK WITH THE VEHICLE MANUFACTURER'S RECOMMENDATIONS.**

## 5. MAINTENANCE

- 5.1 Do not exceed the recommended loading for a pair of turntables of 1360kg (680kg each).
- 5.2 Do not use outdoors in wet conditions.
- 5.3 In the event of any problems do not dismantle the turntable. Return it to your local Sealey dealer.
- 5.4 Keep the external surfaces of the turntables free of oil and grease to prevent them slipping in use.
- 5.5 Do not use any solvents to clean the turntables. Use only a mild detergent and a damp cloth.
- 5.6 Lubricate all moving parts with a light oil.

**NOTE:** It is our policy to continually improve products and as such we reserve the right to alter data, specifications and component parts without prior notice.

**IMPORTANT:** No liability is accepted for incorrect use of this product.

**WARRANTY:** Guarantee is 12 months from purchase date, proof of which will be required for any claim.

**INFORMATION:** For a copy of our catalogue and latest promotions call us on 01284 757525 and leave your full name, address and postcode.

|  |   |  |  |
|--|---|--|--|
|  <p><b>SEALEY</b> Professional<br/><b>TOOLS</b><br/>AUTO SERVICE LINE</p> | <p><b>Sole UK Distributor</b><br/><b>Sealey Group,</b><br/>Bury St. Edmunds, Suffolk.</p> | <p>☎ <b>01284 757500</b><br/>✉ <b>01284 703534</b></p> | <p> <b>www.sealey.co.uk</b><br/> <b>sales@sealey.co.uk</b></p> |
|--|---|--|--|