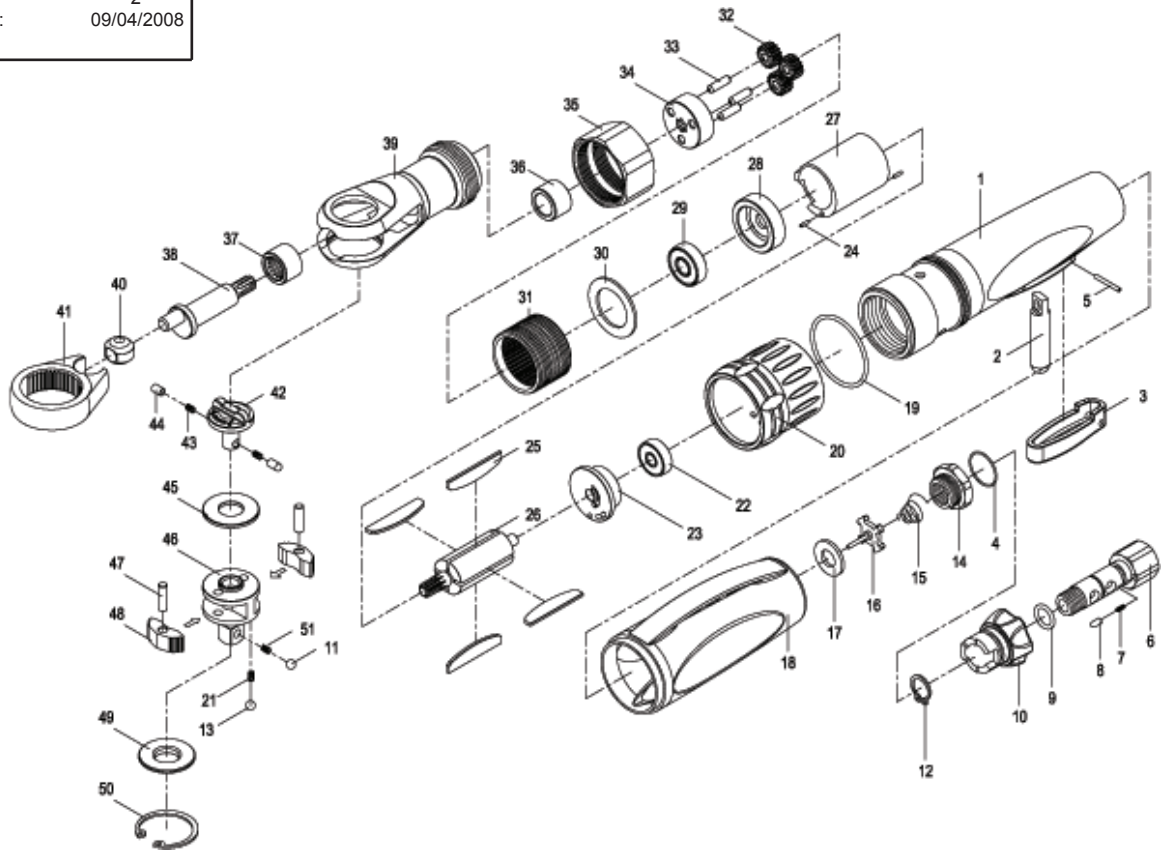


Issue: 2
Date Issued: 09/04/2008



ITEM	PART NO.	DESCRIPTION	ITEM	PART NO.	DESCRIPTION
1	GSA20.01	MOTOR HOUSING	29	GSA20.29	FRONT BEARING
2	GSA20.02	VALVE STEM	30	GSA20.30	WASHER
3	GSA20.03	THROTTLE LEVER	31	GSA20.31	THREAD RING GEAR
4	GSA20.04	O-RING	32	GSA20.32	PLANET GEAR (PACK OF 3)
5	GSA20.05	LEVER PIN	33	GSA20.33	GEAR SHAFT (PACK OF 3)
6	GSA20.06	AIR INLET	34	GSA20.34	GEAR PLATE
7	GSA20.07	SPRING	35	GSA20.35	CLAMP NUT
8	GSA20.08	LOCK PIN	36	GSA20.36	BUSHING
9	GSA20.09	O-RING	37	GSA20.37	NEEDLE BEARING
10	GSA20.10	AIR REGULATOR	38	GSA20.38	CRANK SHAFT
11	GSA20.11	STEEL BALL	39	GSA20.39	RATCHET HOUSING
12	GSA20.12	RETAINER RING	40	GSA20.40	DRIVE BUSHING
13	GSA20.13	STEEL BALL	41	GSA20.41	RATCHET YOKE
14	GSA20.14	AIR INLET ADAPTOR	42	GSA20.42	REVERSE BUTTON
15	GSA20.15	VALVE SPRING	43	GSA20.43	SPRING (PACK OF 2)
16	GSA20.16	THROTTLE LEVER	44	GSA20.44	LOCK PIN (PACK OF 2)
17	GSA20.17	VALVE SEAT	45	GSA20.45	WASHER
18	GSA20.18	PLASTIC GRIP	46	GSA20.46	ANVIL 3/8"
19	GSA20.19	O-RING	46	GSA21.46	ANVIL 1/2"
20	GSA20.20	EXHAUST DEFLECTOR	47	GSA20.47	PIN (PACK OF 2)
21	GSA20.21	SPRING	48	GSA20.48	RATCHET PAWL (PACK OF 2)
22	GSA20.22	REAR BEARING	49	GSA20.49	THRUST WASHER
23	GSA20.23	REAR END PLATE	50	GSA20.50	RETAINER RING
24	GSA20.24	DOWEL PIN (PACK OF 2)	51	GSA20.51	SPRING
25	GSA20.25	ROTOR BLADE (PACK OF 4)	53	GSA20.53	SPRING (PACK OF 2) (Not Shown)
26	GSA20.26	ROTOR	54	GSA20.54	STEEL BALL (PACK OF 2) (Not Shown)
27	GSA20.27	CYLINDER			
28	GSA20.28	FRONT END PLATE			

NOTE: It is our policy to continually improve products and as such we reserve the right to alter data, specifications and component parts without prior notice.

IMPORTANT: No liability is accepted for incorrect use of product.

WARRANTY: Guarantee is 12 months from purchase date, proof of which will be required for any claim.

INFORMATION: For a copy of our latest catalogue and promotions call us on 01284 757525 and leave your full name and address, including postcode.