



INSTRUCTIONS FOR

AIR ANGLE GRINDER/SANDER KIT 42PC

MODEL No: **GSA674K**

Thank you for purchasing a Sealey product. Manufactured to a high standard, this product will, if used according to these instructions and properly maintained, give you years of trouble free performance.

IMPORTANT: PLEASE READ THESE INSTRUCTIONS CAREFULLY. NOTE THE SAFE OPERATIONAL REQUIREMENTS, WARNINGS & CAUTIONS. USE THE PRODUCT CORRECTLY AND WITH CARE FOR THE PURPOSE FOR WHICH IT IS INTENDED. FAILURE TO DO SO MAY CAUSE DAMAGE AND/OR PERSONAL INJURY AND WILL INVALIDATE THE WARRANTY. KEEP THESE INSTRUCTIONS SAFE FOR FUTURE USE.

1. SAFETY



Refer to
Instructions



Wear Ear
Protection



Wear Eye
Protection



Wear a
Mask



Wear Protective
Gloves

- ✓ Follow all workshop Health & Safety rules, regulations and conditions when using tool.
- ❑ **WARNING!** Disconnect from air supply before changing bit or servicing.
- ✓ Maintain grinder in good condition and replace any damaged or worn parts. *Use genuine parts only. Unauthorised parts may be dangerous and will invalidate the warranty.*
- ❑ **WARNING!** Check correct air pressure is maintained and not exceeded. We recommended 90psi.
- ✓ Keep air hose away from heat, oil and sharp edges. Check air hose for wear before each use and ensure that all connections are secure.
- ❑ **WARNING!** Before each use check grinding bit is secure, and the bit is not worn or damaged, if damaged, replace immediately.
- ✓ Ensure replacement grinding bits are not damaged (cracks, deformations or splinters etc).
- ✓ Always use the correct grinding bit suitable for the material being ground. Ensure the maximum speed specification of the bit is higher than that indicated on the machine data plate.
- ❑ **WARNING!** Always wear approved eye or face protection when operating the grinder.
- ✓ Use breathing protection in accordance with COSHH regulations if fumes or dust pose a hazard. Wear ear defenders and safety gloves.
- ✓ Keep hands and body clear of the workpiece when operating the grinder.
- ✓ Maintain correct balance and footing. Ensure the floor is not slippery and wear non-slip shoes.
- ✓ Secure unstable workpiece with a clamp, vice or other adequate holding device.
- ✓ Keep children and non essential persons away from the working area.
- ✓ Avoid subjecting grinding bit to excessive strain, always ease grinding bit against workpiece (a harsh impact may break the bit). Maintain a controlled, adequate progression.
- x **DO NOT** get the grinder wet or use in damp or wet locations.
- x **DO NOT** hold the workpiece by hand. Use clamps or a vice to secure the workpiece.
- x **DO NOT** use the grinder for a task it is not designed to perform.
- ❑ **WARNING! DO NOT** use grinder if damaged or faulty. Contact your local service agent.
- x **DO NOT** use grinder unless you have been instructed in its use by a qualified person.
- x **DO NOT** carry the grinder by the air hose, or yank the hose from the air supply.
- x **DO NOT** direct air from the air hose at yourself or others.
- ❑ **WARNING! DO NOT** grind any materials containing asbestos.
- x **DO NOT** turn the grinder on whilst the grinding bit is in contact with the workpiece.
- x **DO NOT** use grinder where there are flammable liquids, solids or gases such as paint solvents, including waste wiping or cleaning rags etc as generated sparks may be dangerous.
- x **DO NOT** touch the workpiece close to the ground surface as it will be very hot. Allow to cool. The workpiece may also be very sharp.
- x **DO NOT** operate grinder if you are tired, under the influence of alcohol, drugs or intoxicating medication.
- x When not in use disconnect from air supply and store in a safe, dry, childproof location.

LEAD PAINT WARNING!

Paint once contained lead as a traditional ingredient. Dust from the removal of such paint is toxic and contact with it must be avoided. The following action must be taken when using the sander on paint that you suspect may contain lead.

1. User must determine potential hazard relating to age of paint to be removed (modern paints do not contain lead).
2. **DANGER!** Keep all persons and pets away from the work area. The following are particularly vulnerable to the effects of lead paint dust:
Pregnant women, babies and children.
3. We recommend personal protection by using the following safety items:
 - a) Paint Spray Respirator
 - b) PE Coated Hooded Coverall
 - c) Latex Gloves
4. Take adequate measures to contain the paint dust, flakes and scrapings.
5. Continue to wear safety equipment as in (3) above and clean all areas thoroughly when the task is complete.
6. Ensure that paint waste is disposed of, according to local regulations, in sealed bags or containers.

2. INTRODUCTION

Suitable for die grinding, sanding or panel preparation. Includes our Generation Series 90° air angle die grinder (Model No: GSA674), which features a safety trigger, contoured rubber handle and 360° rotating exhaust. Supplied in a storage case with a range of die grinding points, sanding rolls and Ø50/75mm preparation pads. Replacement components readily available.

3. SPECIFICATION

Model No:	GSA674K
Pad Size:	Ø50mm, Ø75mm
Thread Size:	1/4" UNC
Collet Size:	Ø3mm, Ø6mm
Free Speed:	20000rpm
Air Consumption:	4cfm
Operating Pressure:	90psi
Air Inlet Size:	1/4" BSP
Weight (tool only):	0.54kg
Noise Pressure/Power:	95/84dBA
Vibration/Uncertainty:	1.44/0.72m/s ²



4. PREPARATION

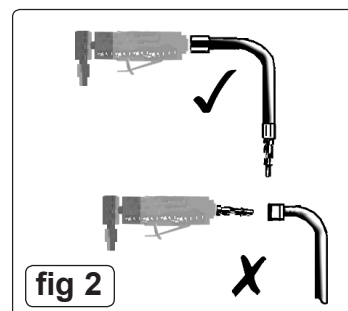
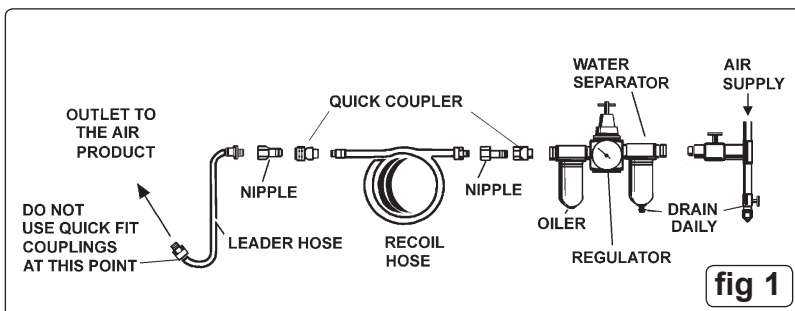
4.1. Air Supply

- 4.1.1. Ensure grinder air valve (or trigger) is in "off" position before connecting to the air supply.
- 4.1.2. Use an air pressure of 90psi, and an air flow according to specification.
- 4.1.3. **WARNING!** Ensure the air supply is clean and does not exceed 90 psi while operating the grinder. Too high an air pressure and unclean air will shorten the product life due to excessive wear, and may be dangerous causing damage and/or personal injury.
- 4.1.4. Drain the air tank daily. Water in the air line will damage the grinder.
- 4.1.5. Clean air inlet filter weekly. Recommended hook-up procedure is shown in fig 1.
- 4.1.6. Line pressure should be increased to compensate for unusually long air hoses (over 8 metres). The minimum hose diameter should be 1/4" I.D. and fittings must have the same inside dimensions.
- 4.1.7. Keep hose away from heat, oil and sharp edges. Check hose for wear, and make certain that all connections are secure.

4.2. Couplings.

Vibration may cause failure if a quick change coupling is connected directly to the die grinder.

To overcome this, connect a leader hose to the grinder. A quick change coupling may then be used to connect the leader hose to the air line recoil hose. See fig 1 & 2.



5. OPERATION

5.1 Fitting Grinding Bits

WARNING! Disconnect from the air supply before changing grinding bit.

- 5.1.1. Check that grinding bits are not damaged in any way such as cracks, deformations or splinters etc. Damaged bits must not be used.
5.1.2. Use spanners provided to loosen collet locking collar. Insert appropriate collet and grinding bit and re-lock collar.

5.2 Fitting Sanding Discs

- 5.2.1. Make sure that the 6mm collet is inserted.
5.2.2. Insert the sanding disc adaptor into the collet and tighten with spanners.
5.2.3. Take the appropriate sanding pad and screw it clockwise onto the adaptor.
5.2.4. Screw on a corresponding sanding disc onto the sanding pad, turning it clockwise to secure.

5.3. OPERATING

- 5.3.1. Connect the grinder to the air supply.

WARNING! Ensure you have read, understood and apply safety instructions.

- 5.3.2. To start, hold firmly and push the trigger locking lever forward whilst depressing trigger.
5.3.3. The bit must be running at its maximum speed before attempting to grind the workpiece.
5.3.4. Slowly and smoothly bring the grinding bit toward the workpiece (avoid jerky movements).
Exert adequate pressure on the grinder to grind according to the type and size of the material you are working with.
Avoid subjecting bit to excessive strain or harsh impacts.
Always hold grinder firmly and ease grinding bit against workpiece.
Maintain a controlled, adequate progression.
DO NOT allow grinder to free run for an extended period as this will shorten its life.

6. MAINTENANCE

WARNING! Disconnect grinder from air supply before changing accessories, servicing or performing maintenance. Replace or repair damaged parts. *Use genuine parts only. Unauthorised parts may be dangerous and will invalidate the warranty.*

- 6.1. If the air supply system does not include an oiler lubricate the air grinder daily with a few drops of Sealey air grinder oil dripped into the air inlet to prolong its life.
6.2. Clean the grinder after use.
6.3. Loss of power or erratic action may be due to the following:
a) Excessive drain on the air line. Moisture or restriction in the air pipe. Incorrect size or type of hose connectors. To remedy check the air supply and follow instructions in chapter 3.
b) Grit or gum deposits in the grinder may also reduce performance. If your model has an air strainer (located in the area of the air inlet), remove the strainer and clean it. Flush the grinder out with gum solvent oil or an equal mixture of SAE No 10 oil and paraffin. Allow to dry before use.
6.4. For a full service contact your local Sealey service agent.
6.5. When not in use, disconnect from air supply, clean grinder and store in a safe, dry, childproof location.



Environmental Protection
Recycle unwanted materials instead of disposing of them as waste. All tools, accessories and packaging should be sorted, taken to a recycling centre and disposed of in a manner which is compatible with the environment. When the product becomes completely unserviceable and requires disposal, drain off any fluids (if applicable) into approved containers and dispose of the product and the fluids according to local regulations.

Parts support is available for this product. To obtain a parts listing and/or diagram, please log on to www.sealey.co.uk, email sales@sealey.co.uk or telephone 01284 757500.

NOTE: It is our policy to continually improve products and as such we reserve the right to alter data, specifications and component parts without prior notice.

IMPORTANT: No liability is accepted for incorrect use of this product.

WARRANTY: Guarantee is 12 months from purchase date, proof of which will be required for any claim.



Sole UK Distributor, Sealey Group,
Kempson Way, Suffolk Business Park,
Bury St. Edmunds, Suffolk,
IP32 7AR



01284 757500



01284 703534



www.sealey.co.uk



sales@sealey.co.uk

WARNING! – Risk of Hand Arm Vibration Injury.

This tool may cause Hand Arm Vibration Syndrome if its use is not managed adequately.

This tool is subject to the vibration testing section of the Machinery Directive 2006/42/EC.

This tool is to be operated in accordance with these instructions.

Measured vibration emission value (a):1.44 m/s²

Uncertainty value (k):.0.72 m/s²

Please note that the application of the tool to a sole specialist task may produce a different average vibration emission. We recommend that a specific evaluation of the vibration emission is conducted prior to commencing with a specialist task.

A health and safety assessment by the user (or employer) will need to be carried out to determine the suitable duration of use for each tool.

NB: Stated Vibration Emission values are type-test values and are intended to be typical.

Whilst in use, the actual value will vary considerably from and depend on many factors.

Such factors include; the operator, the task and the inserted tool or consumable.

NB: ensure that the length of leader hoses is sufficient to allow unrestricted use, as this also helps to reduce vibration.

The state of maintenance of the tool itself is also an important factor, a poorly maintained tool will also increase the risk of Hand Arm Vibration Syndrome.

Health surveillance.

We recommend a programme of health surveillance to detect early symptoms of vibration injury so that management procedures can be modified accordingly.

Personal protective equipment.

We are not aware of any personal protective equipment (PPE) that provides protection against vibration injury that may result from the uncontrolled use of this tool. We recommend a sufficient supply of clothing (including gloves) to enable the operator to remain warm and dry and maintain good blood circulation in fingers etc. Please note that the most effective protection is prevention, please refer to the Correct Use and Maintenance section in these instructions. Guidance relating to the management of hand arm vibration can be found on the HSE website www.hse.gov.uk - Hand-Arm Vibration at Work.