

Thank you for purchasing a Sealey product. Manufactured to a high standard this product will, if used according to these instructions and properly maintained, give you years of trouble free performance.



IMPORTANT: PLEASE READ THESE INSTRUCTIONS CAREFULLY. NOTE THE SAFE OPERATIONAL REQUIREMENTS, WARNINGS AND CAUTIONS. USE THE PRODUCT CORRECTLY AND WITH CARE FOR THE PURPOSE FOR WHICH IT IS INTENDED. FAILURE TO DO SO MAY CAUSE DAMAGE AND/OR PERSONAL INJURY AND WILL INVALIDATE THE WARRANTY. PLEASE KEEP INSTRUCTIONS SAFE FOR FUTURE USE.

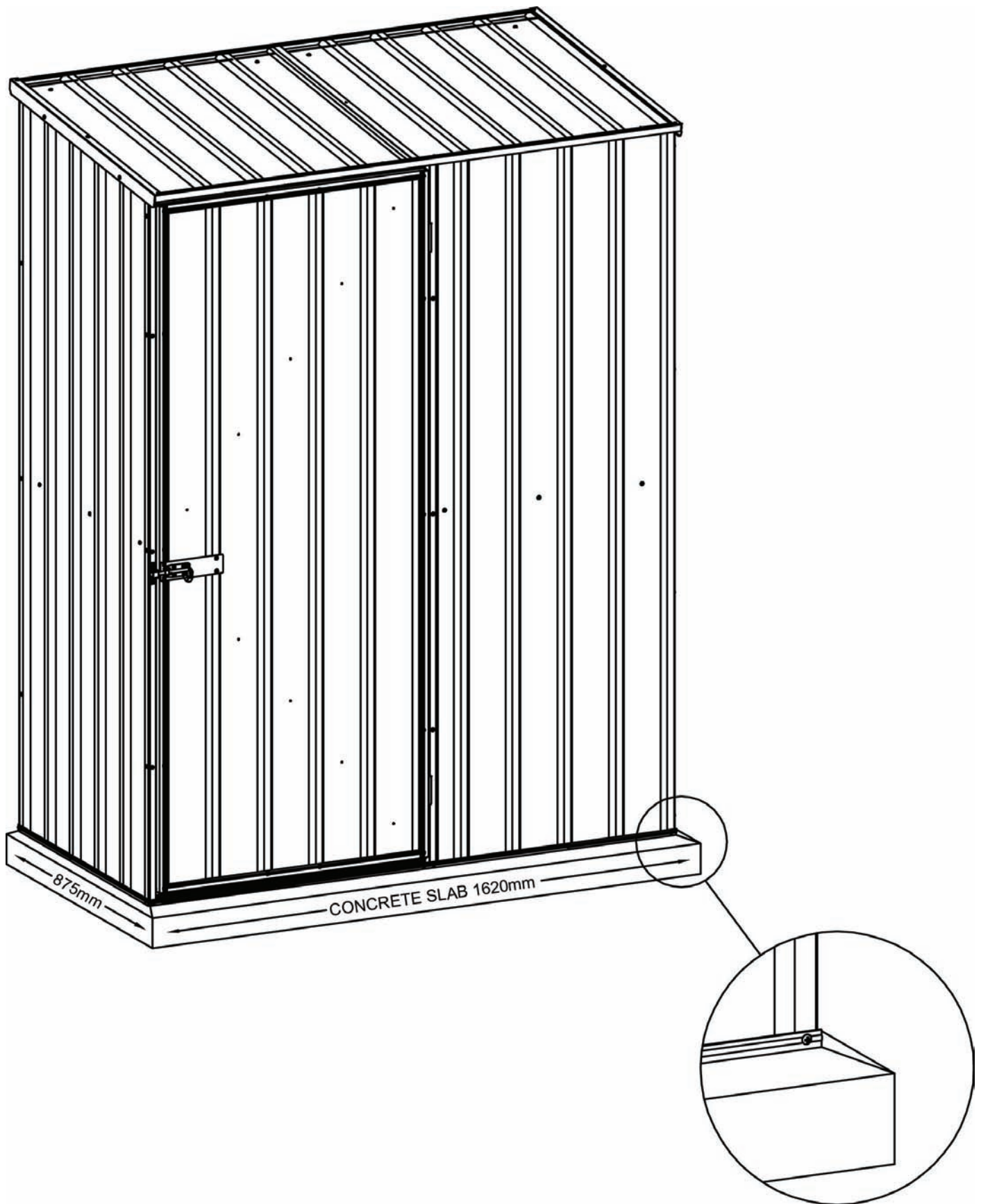
- WARNING!** Ensure Health & Safety, local authority, and general workshop practice regulations are adhered to when building this shed.
 - ✓ Keep the work area clean, uncluttered and ensure there is adequate lighting.
 - ✓ Keep children and unauthorised persons away from the working area.
 - ✗ **DO NOT** use the shed for any purpose other than that for which it is designed.
 - ✓ Use appropriate safety clothing including eye protection.
- Note! The assembly of this product will require assistance.



Before commencing the assembly, we recommend that you read the instructions thoroughly. Your new shed comes with all the holes pre drilled to make for fast easy assembly. We recommend that you assemble the shed using a trestle table or sawhorses and planks. This will ensure that you are working off the ground and make it easier for you. Assembly is a two person job and should not be attempted in windy conditions.

- Step 1: Check all parts against the component list.
- Step 2: Assemble the rear wall panels.
- Step 3: Assemble the side wall panels.
- Step 4: Assemble the roof panels.
- Step 5: Assemble the front wall panels.
- Step 6: Assemble the front door.
- Step 7: Fit the panels together.

Concrete Slab: It is recommended that your new shed is secured to a concrete slab as per the specifications in this manual.



Concrete slab: Please ensure that your site is level. It is recommended that your slab is 100mm thick and you use builders plastic and F52 reinforcing mesh. We recommend that you make your slab 100mm bigger than the base dimensions of your shed. This will allow for a 50mm edge around your shed. We recommend that you slope the 50mm edges downward by 10 mm so that rain water can be drained away from your shed.

Tools Required:



Electric Drill



Measuring Tape



Screwdrivers



8mm Masonry Drill Bit



Riveter



Rubber Mallet



**Sturdy Ladder
(two if possible)**



Shifting Spanner



3mm Masonry Drill Bit



Sawhorse



Builders Pencil



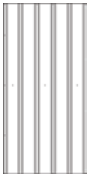
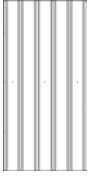
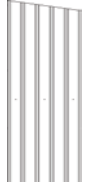

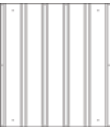














Gloves


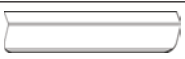


Protective Eyewear





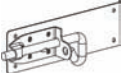









Step 1. Check all parts against the component list.

Lay out all parts with number facing outwards and check off against parts list.

Picture	Description	Component	Location	Part No.	QTY	Check
	Sheet	Sheet 1980x770 cream-left	rear wall	1L	1	
	Sheet	Sheet 1980x770 cream-right	rear wall	1R	1	
	Sheet	Sheet 1900-1980x770 cream-left	side wall	2L	1	
	Sheet	Sheet 1900-1980x770 cream-right	side wall	2R	1	
	Sheet	Sheet 855x770 cream	roof	3	2	
	Sheet	1900x708 cream	front	4	1	
	Door	Sheet 1845x770 cream	door	5R	1	
	Channel	channel 1508 off white	roof	20A	2	
	Channel	channel 1508 off white	rear wall	20B	1	
	Channel	channel 1508 off white	rear wall	20C	1	
	Channel	channel 1508 off white	front	20D	1	
	Channel	channel 1508 off white	front	20E	1	
	Channel	channel 768 off white	side wall	21A	2	
	Channel	channel 768 off white	side wall	21B	2	
	Channel	channel 1898 off white	front	22	1	
	Channel	channel 775 off white	front	23	1	
	Channel	channel 1458 off white	rear wall	31	1	
	Channel	channel 718 off white	side wall	32	2	
	Channel	channel 674 off white	front	33R	1	

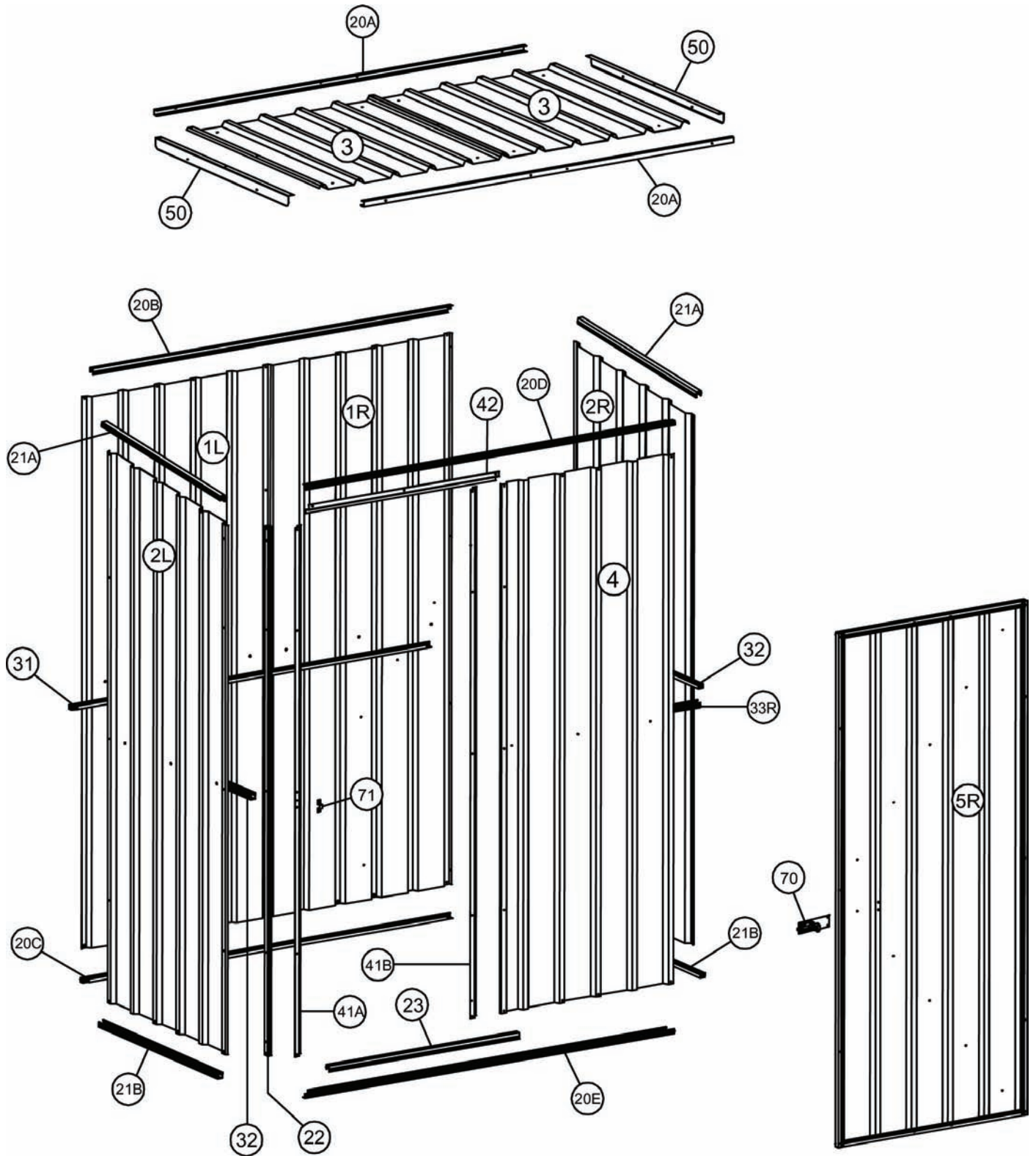
	Jamb	jamb 1898 white	front	41A	1	
	Jamb	jamb 1898 white	front	41B	1	
	Jamb	jamb 775 white	front	42	1	
	Lip	lip 856 off white	roof	50	2	

FITTINGS PACK

Picture	Component	QTY	Picture	Component	QTY
	Self tapping screws(10mm)	120		Self tapping screws(16mm)	10
	4*10mm Rivet	12		3*10mm Rivet	6
	Pad bolt	1		Keeper	1
	Bracket	8		M8*18m/m Hexagonal bolt	8
	M8 Hexagonal Nut	8		Mid wall brace bracket	3
	Self tapper safety cover	25		Channel safety cover (L type)	1
	Channel safety cover (R type)	1		Rawlbolt	8

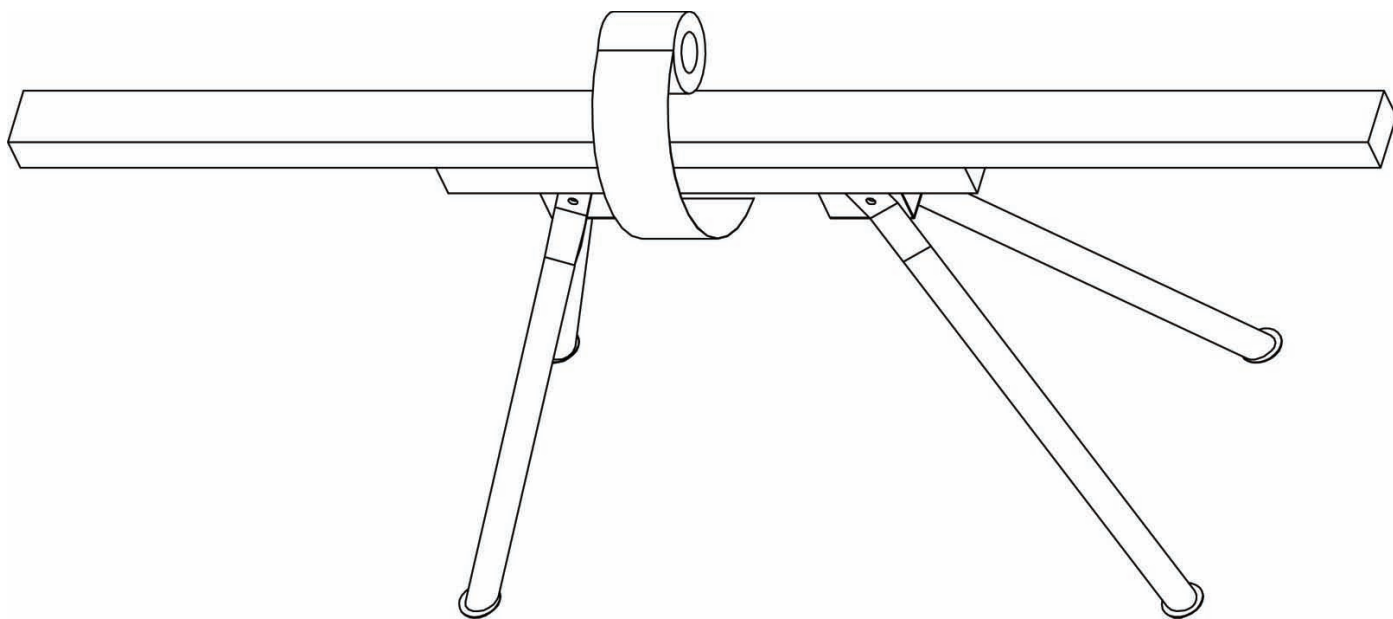
In the unlikely event that you find you are missing a part, please contact your Sealey dealer.

Shed Overview



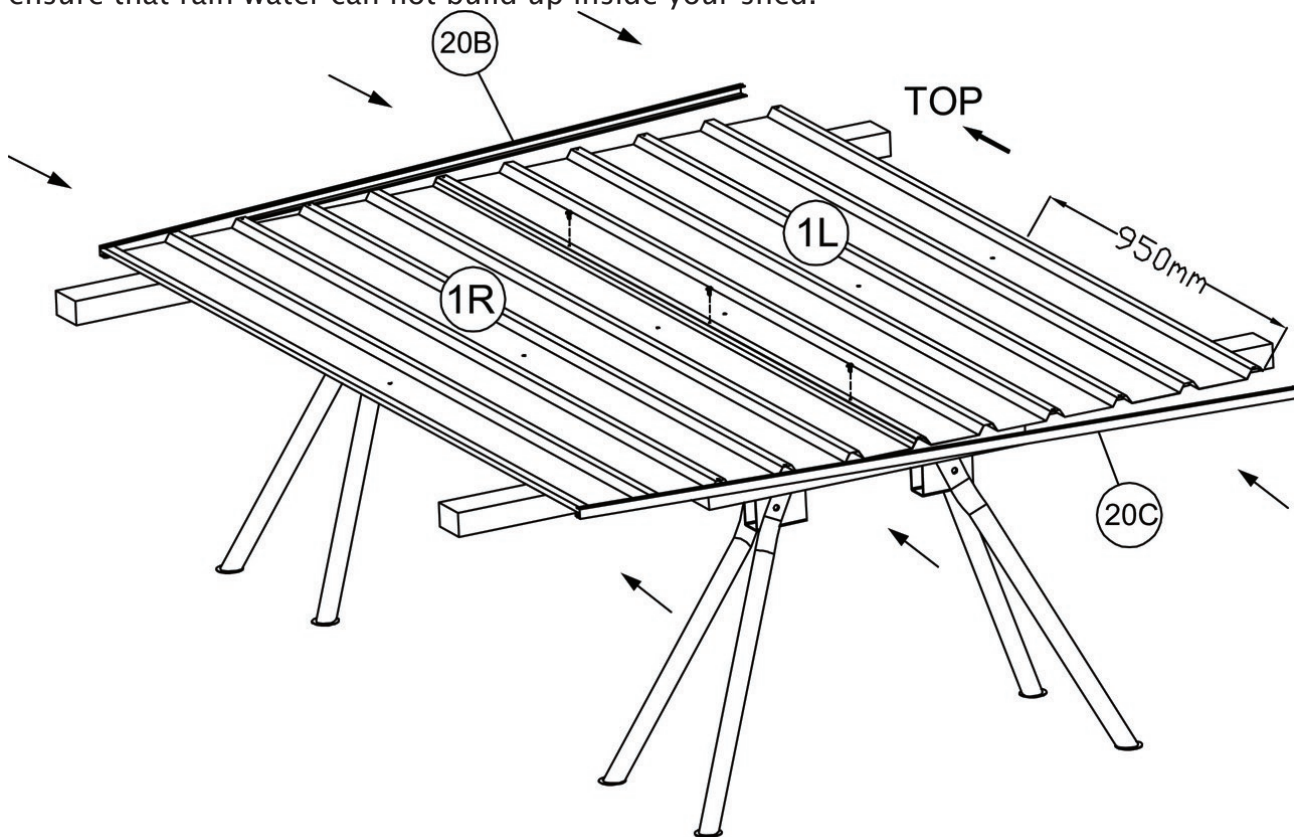
Step 2: Assemble rear wall panels.

You will find it easier to assemble your shed using sawhorses with timber studs attached (timber needs to be the same length as the shed (1.5M) or alternatively, a trestle table.

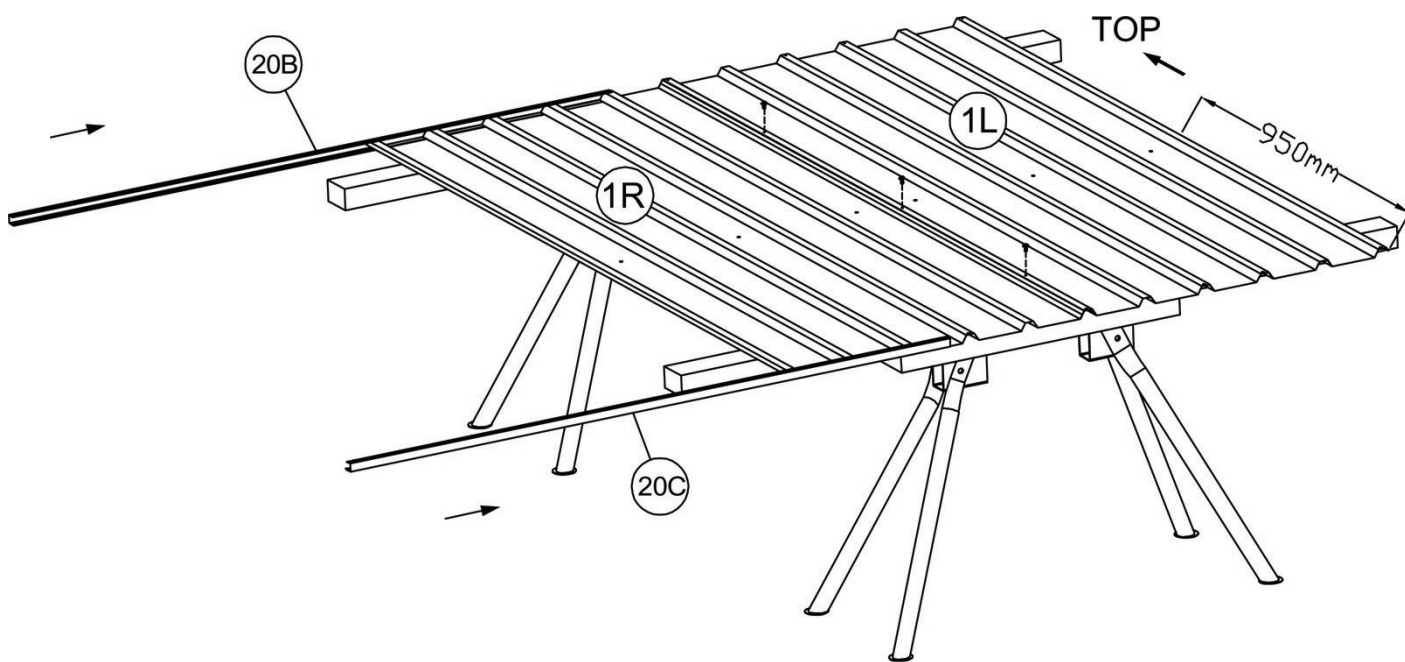


Place 1R and 1L on the sheeting your work table and join together with the self tapping screws per the diagram.

Now fit 20B top channel and 20C bottom channel to the sheeting by tapping it in (diagram A) or sliding it in. (diagram B) Be noted that the small lip of the channel is always facing out. This is to ensure that rain water can not build up inside your shed.

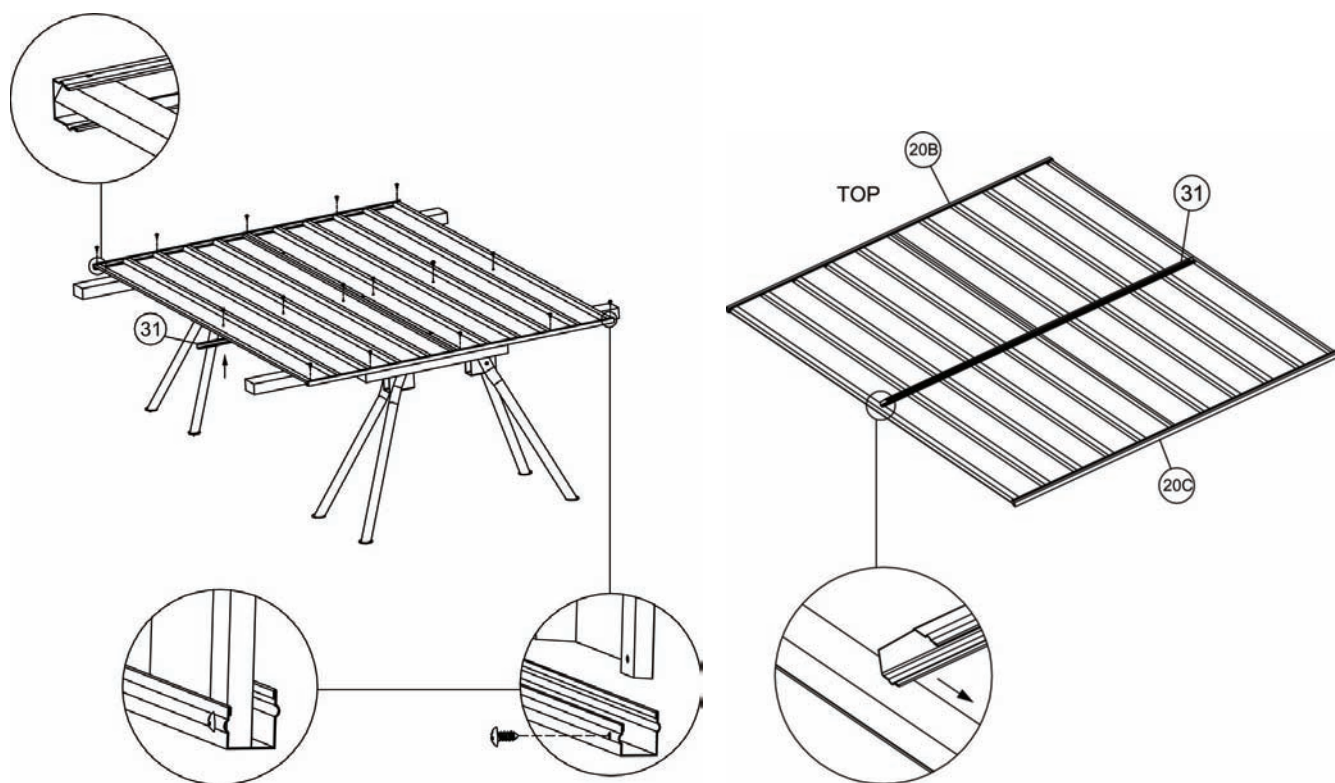


A



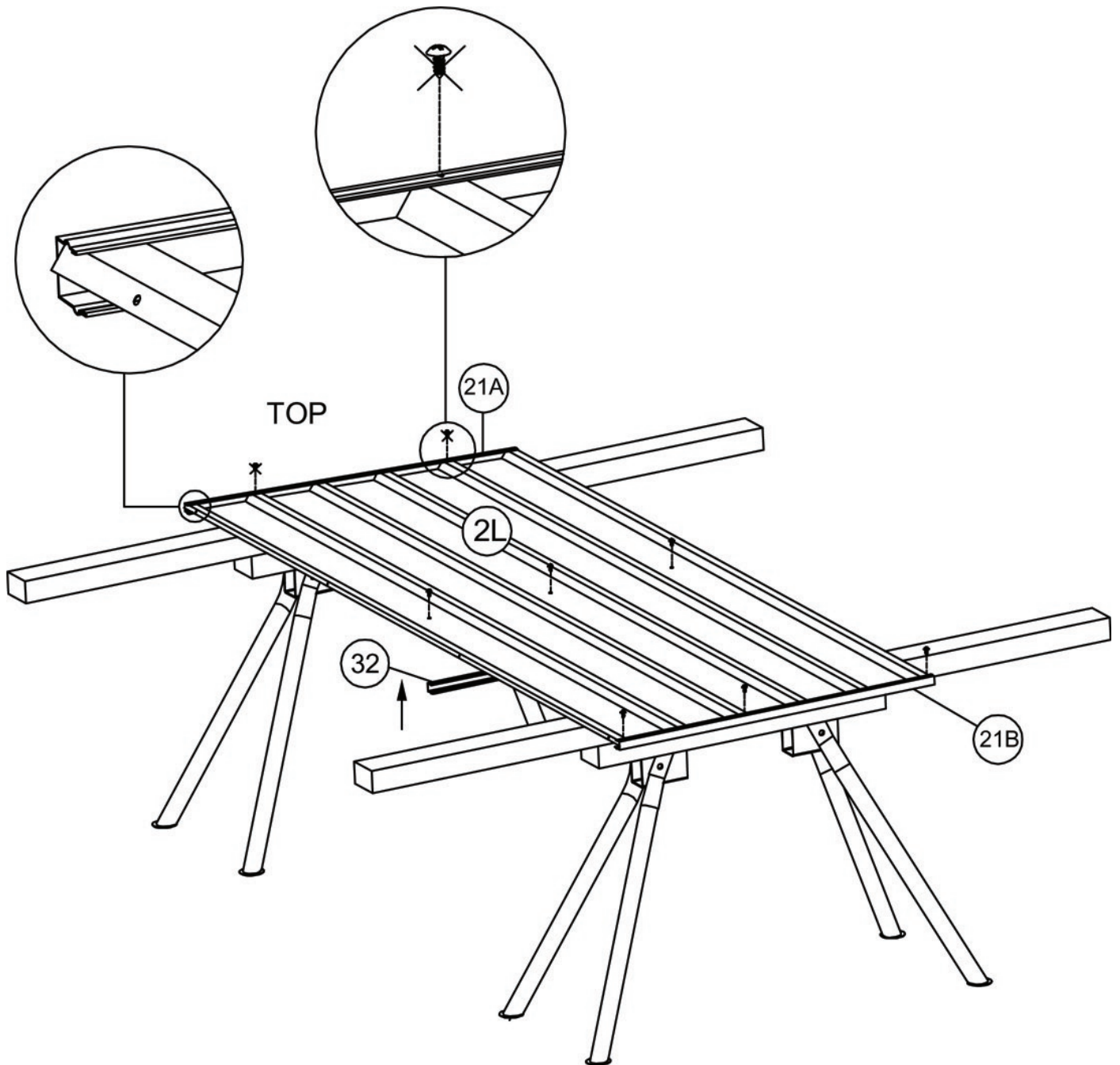
B

Now fit 31 mid wall channel to the sheeting and position it by the self tapping screws. Please note that the groove should face downwards. Fix the top and bottom channels using the self tapping screws.



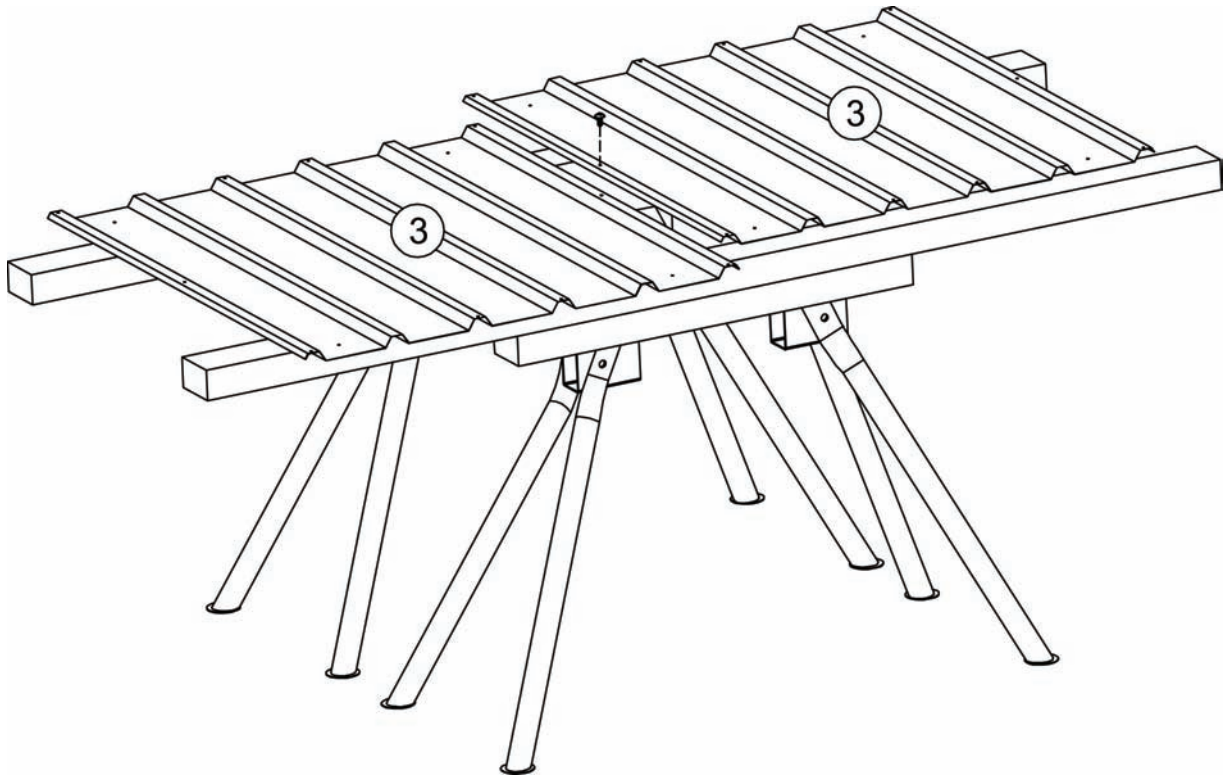
Step 3: Assemble side wall panels

Place 2L the sheeting on your work table and tap or slide in 21A top channel and 21B bottom channel. Fix and position the 32 mid wall channel by the self tapping screws. Fix 21B the bottom channel by the self tapping screws but not 21A the top channel in this stage. Note that the small lip of the channel is always facing out. This is to ensure that rain water can not build up inside your shed. Repeat the same steps for 2L the other side wall.

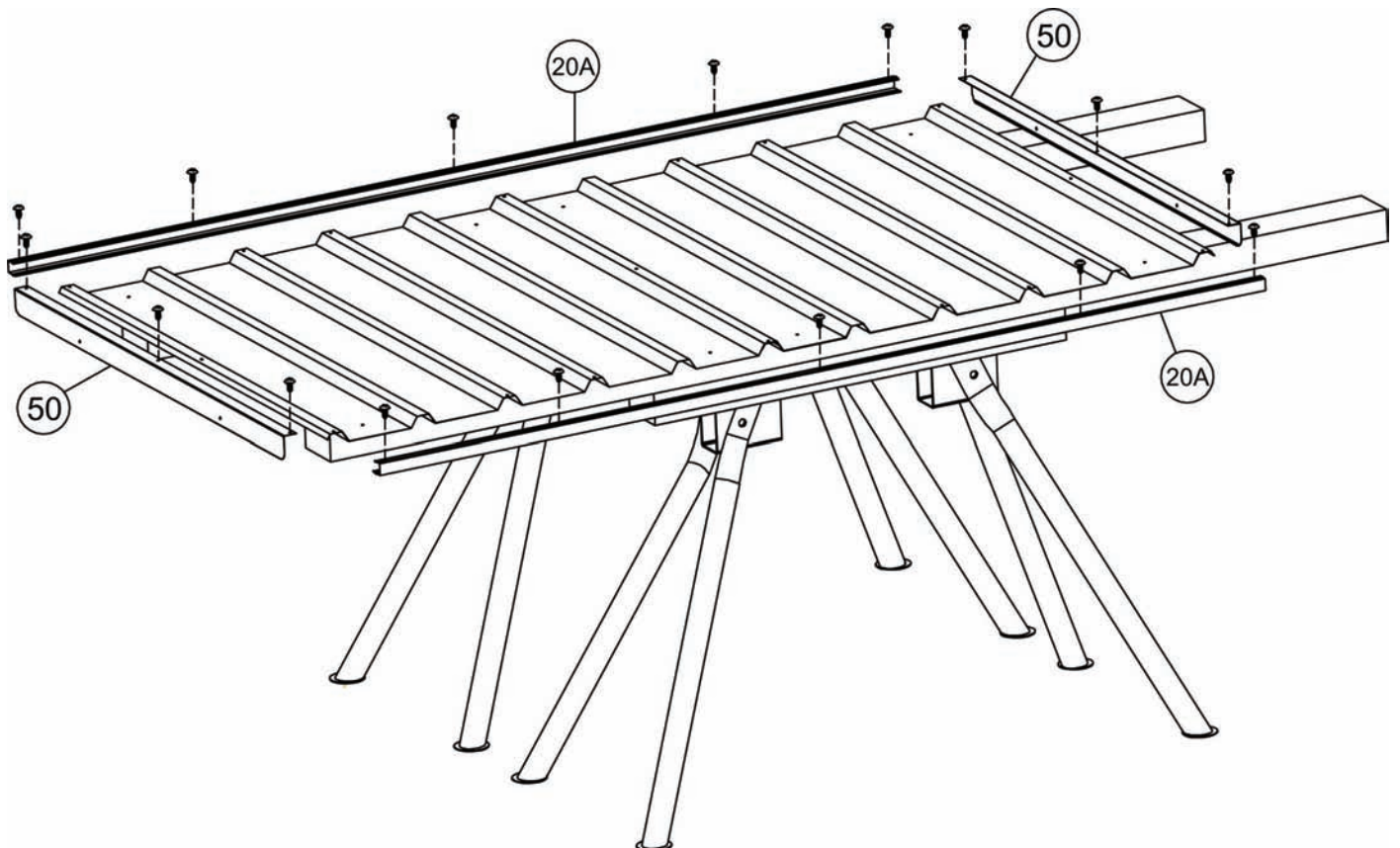


Step 4: Assemble the roof panels.

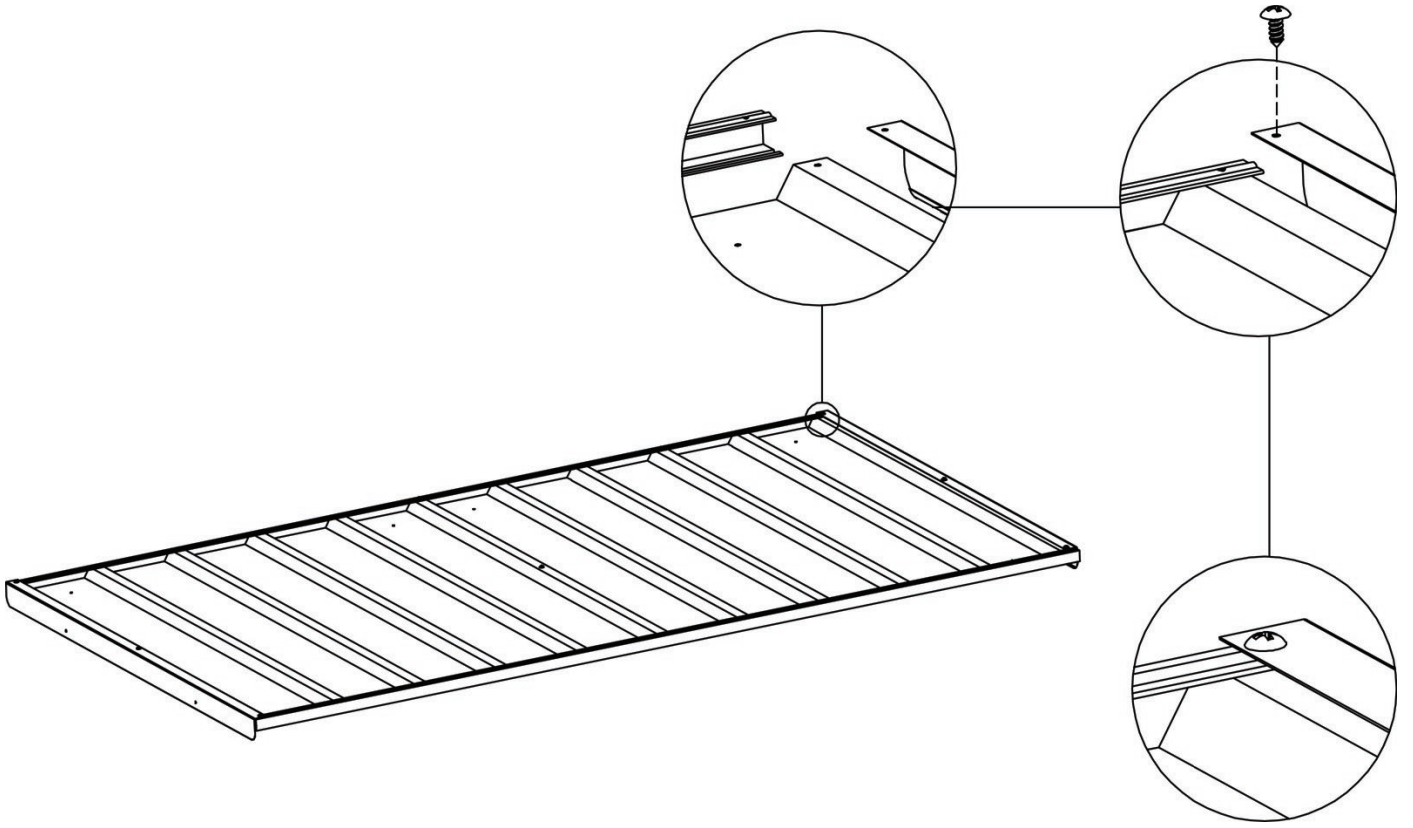
Place 3 and 3 sheeting on your work table and join together with the self tapping screws per the diagram.



Now tap or slide in 20A and 20A the channels to the sheeting and fix them using the self tapping screws.



Now fit 50 and 50 side lips to the sheeting and fix them using the self tapping screws.



Step 5: Assemble the front wall panels.

Place 4 the sheeting on the work table. Fit 20D the top channel, 20E the bottom channel, 41B the jamb (There are pre-drilled holes for next step on both 4 and 41B and must be aligned.) and 33R the mid wall channel to the sheeting and fix them using the self tapping screws. (NOT those with cross mark in this stage)

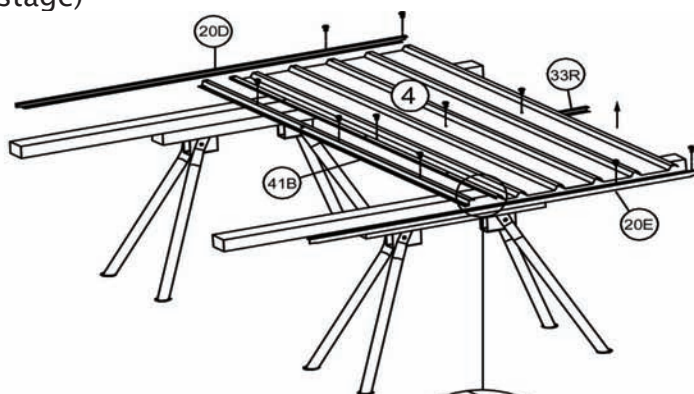
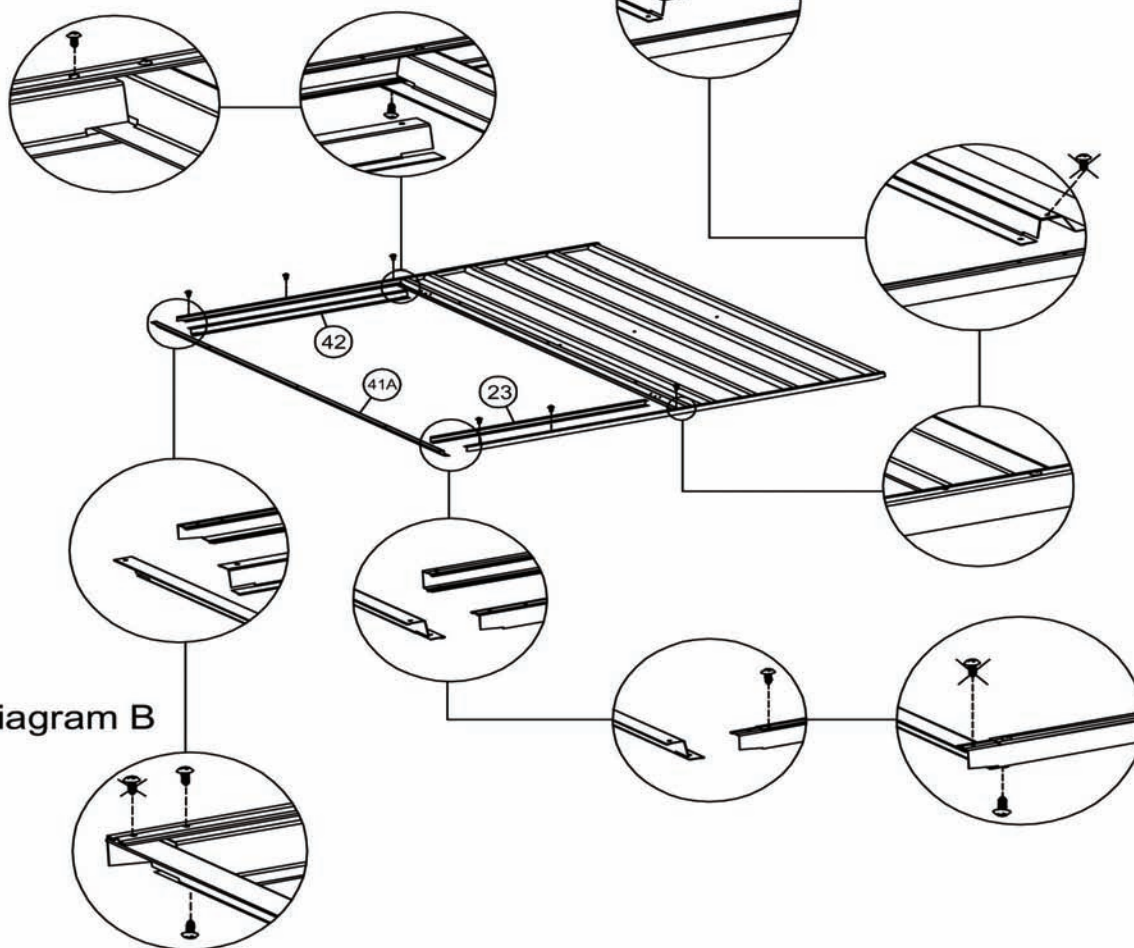


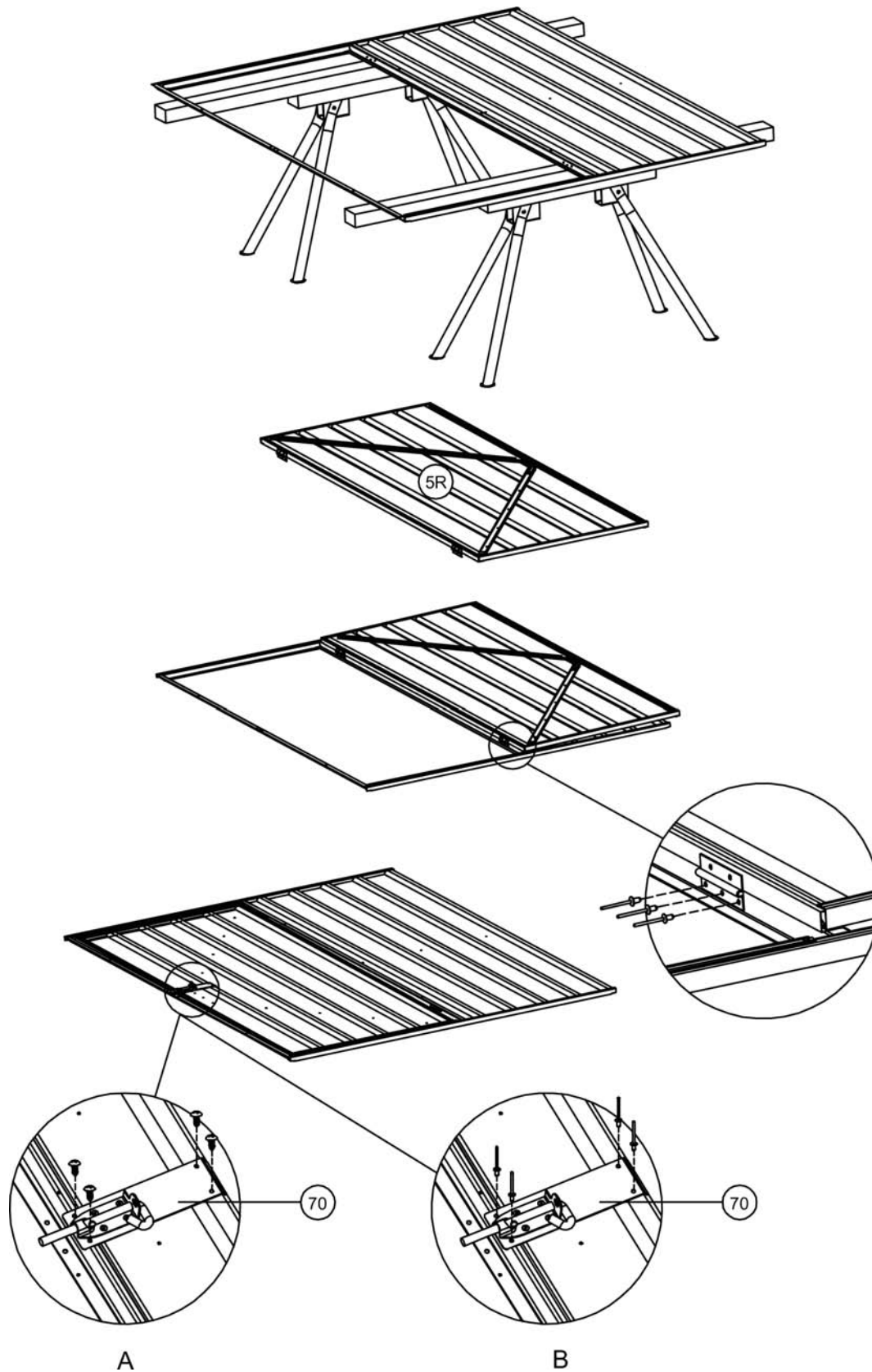
diagram A



Fit the 41A the jamb, 42 the jamb and 23 the bottom channel in following and fix them using the self tapping screws (NOT those with cross mark in this stage). Be aware of the joint details per the diagrams. (DIAGRAM B IS AS THE SAME AS DIAGRAM A.)

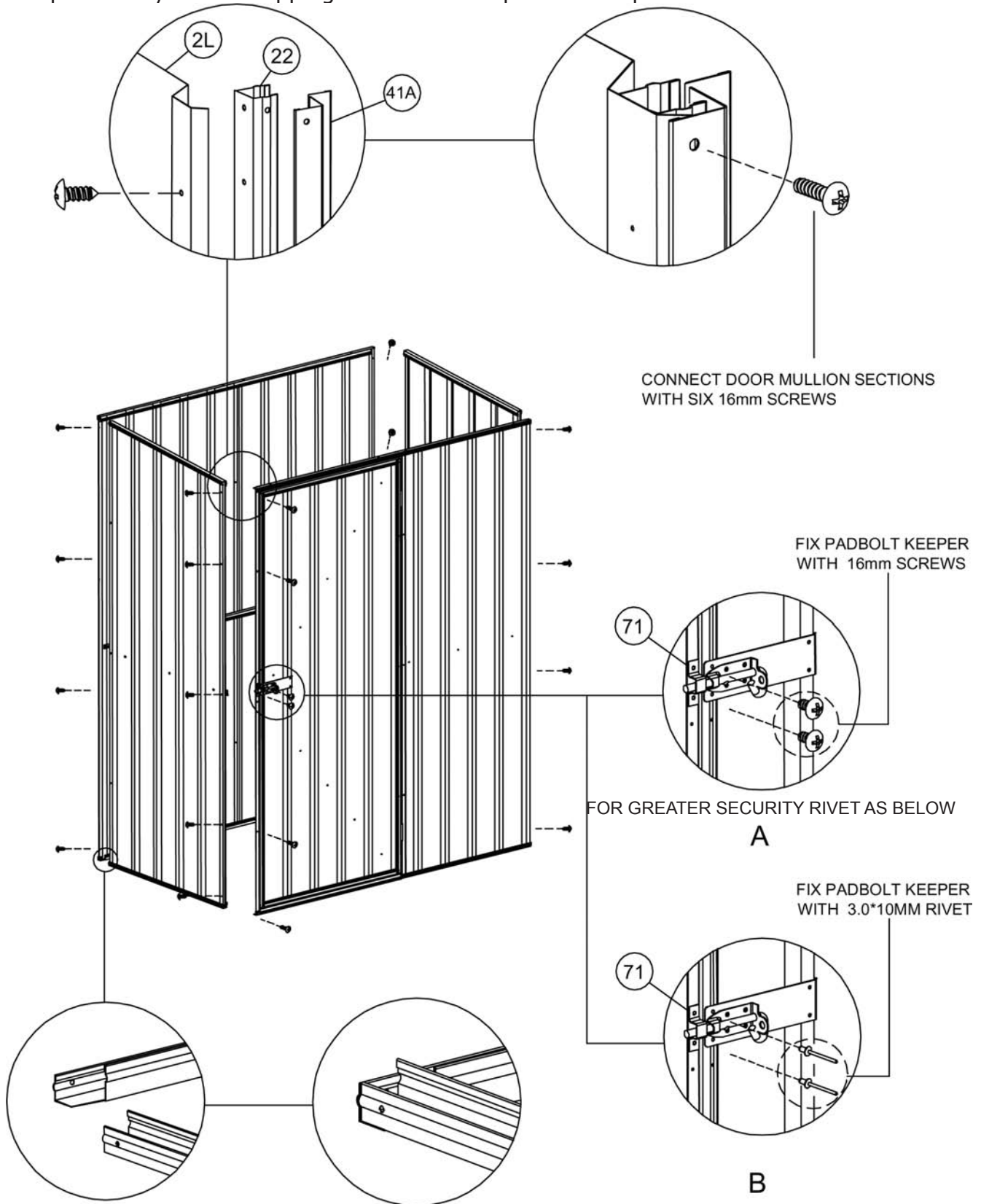
Step 6: Assemble the front door.

Fit 5R the pre-assembled door to the front wall panel per the diagram. Use riveter to fix the door into the pre-drilled holes. Fix the pad bolt (but NOT its keeper in this stage) to the pre-drilled holes using supplied rivets or self tapping screws.

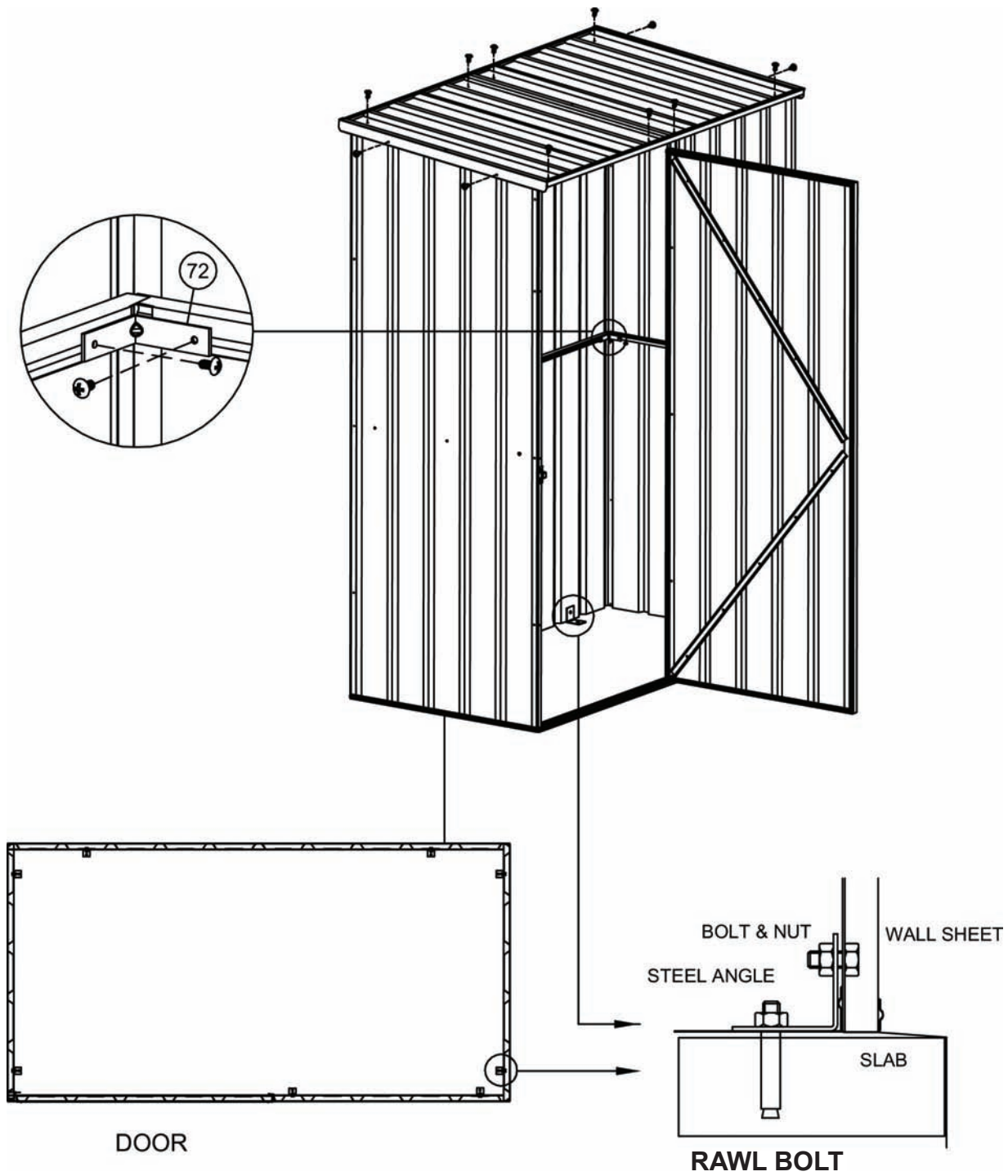


Step 7: Fit the panels together.

Attach the two side walls to the back wall, then the front wall, then the roof. Fix all the components by the self tapping screws. Fix the pad bolt keep with rivets or screws.



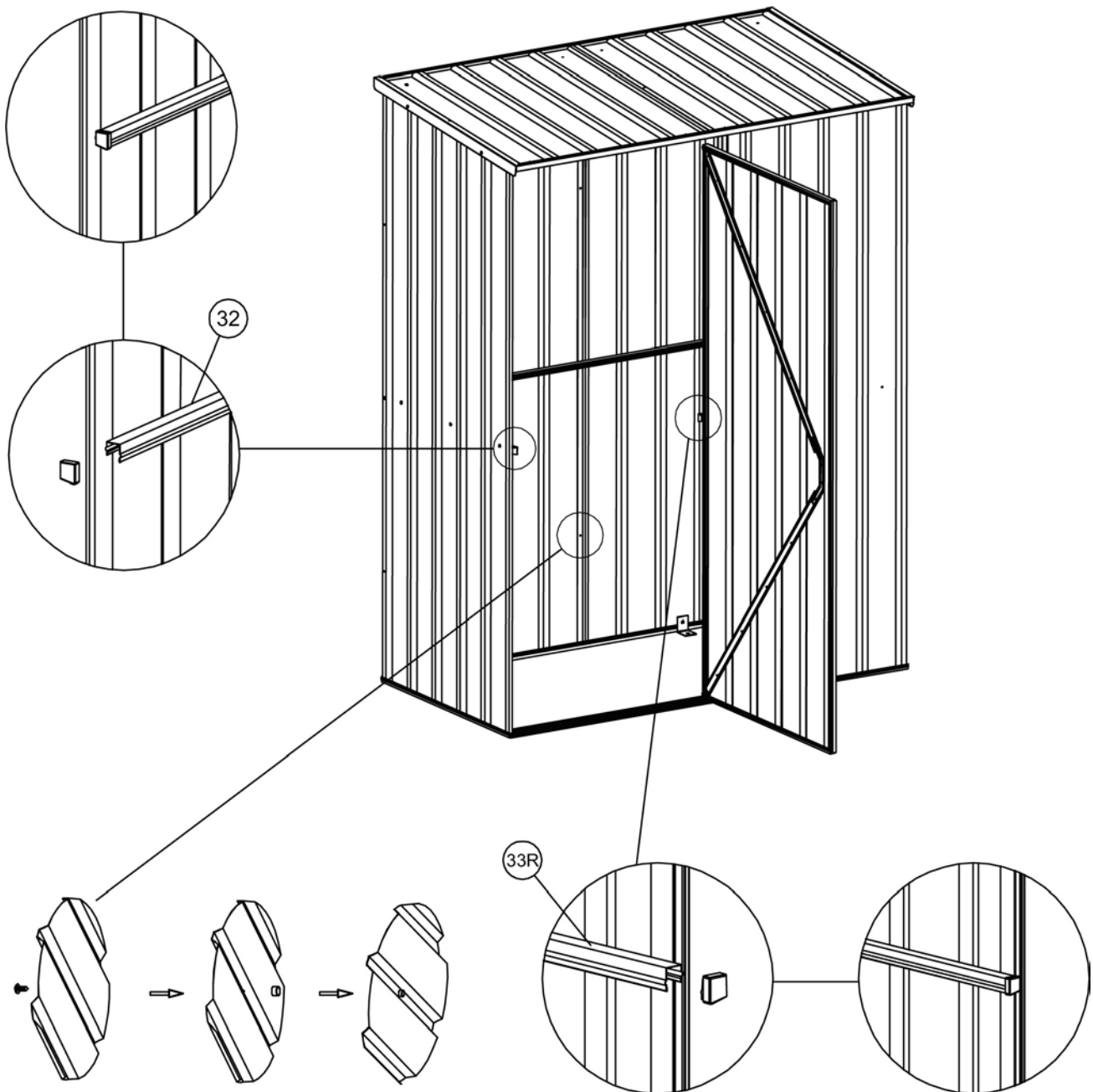
Now fit the bolt down kit using the supplied Rawl Bolts as per the diagram. Strengthen your mid wall brace by applying 72 the mid wall brace bracket on each corner if necessary.



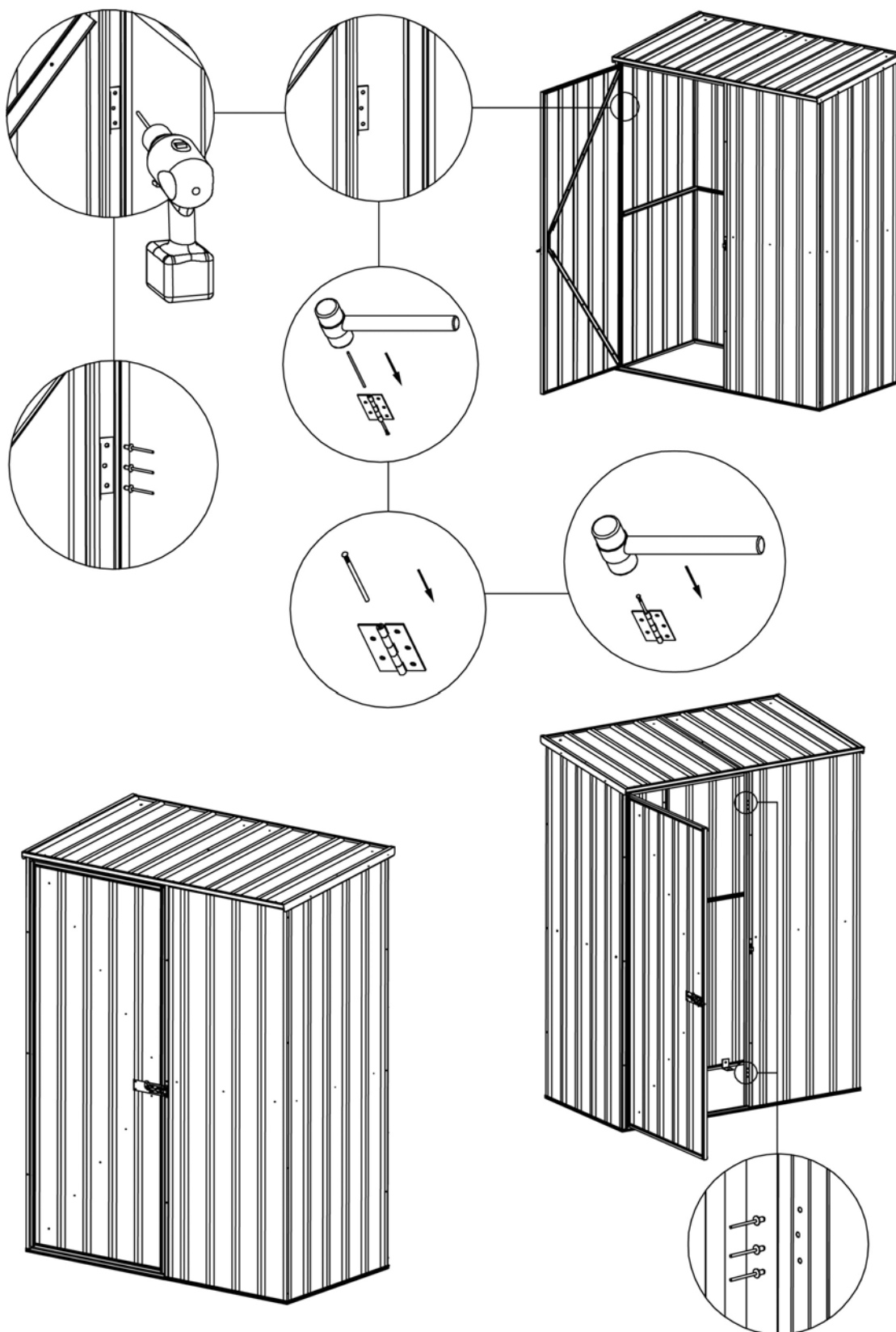
Sealey sheds are weatherproof; however, heavy winds with driving rain could cause your shed to leak. Condensation will also occur in some weather conditions such as extreme heat or cold. We would recommend the use of a waterproof sealant to help seal around all joins and wherever you feel that water may get in under these extreme conditions.

Shed is not to be used to store corrosive substances or as a chemical store.

Apply channel safety cover **L** type on channel 32 and **R** type on channel 33R.
Apply the self-tapper covers on the screws fixed on the wall to prevent accidental injuries.



If required, the door can be assembled on the opposite side. Align the door with the edge and drill new holes. Remove the pin from the hinge and reverse it before assembling the door. Fill the old pre-drilled holes with rivets if required. Perform the same procedure for the pad lock.



NOTE: It is our policy to continually improve products and as such we reserve the right to alter data, specifications and component parts without prior notice.

IMPORTANT: No liability is accepted for incorrect use of this product.

WARRANTY: Guarantee is 12 months from purchase date, proof of which will be required for any claim.

INFORMATION: For a copy of our latest catalogue and promotions call us on 01284 757525 and leave your full name and address, including postcode.



Sole UK Distributor, Sealey Group,
Kempson Way, Suffolk Business Park,
Bury St. Edmunds, Suffolk,
IP32 7AR

01284 757500

www.sealey.co.uk

01284 703534

sales@sealey.co.uk