

Thank you for purchasing a Sealey product. Manufactured to a high standard this product will, if used according to these instructions and properly maintained, give you years of trouble free performance.

! IMPORTANT: PLEASE READ THESE INSTRUCTIONS CAREFULLY. NOTE THE SAFE OPERATIONAL REQUIREMENTS, WARNINGS AND CAUTIONS. USE THE PRODUCT CORRECTLY AND WITH CARE FOR THE PURPOSE FOR WHICH IT IS INTENDED. FAILURE TO DO SO MAY CAUSE DAMAGE AND/OR PERSONAL INJURY AND WILL INVALIDATE THE WARRANTY. PLEASE KEEP INSTRUCTIONS SAFE FOR FUTURE USE.

1. SAFETY INSTRUCTIONS

- WARNING!** Ensure Health & Safety, local authority, and general workshop practice regulations are adhered to when building this shed.
 - ✓ Keep the work area clean, uncluttered and ensure there is adequate lighting.
 - ✓ Keep children and unauthorised persons away from the working area.
 - ✗ **DO NOT** use the shed for any purpose other than that for which it is designed.
 - ✓ Use appropriate safety clothing including eye protection.
- Note!** The assembly of this product will require assistance.



2. INTRODUCTION

Before commencing the assembly, we recommend that you read the instructions thoroughly. Your new shed comes with all the holes pre drilled to make for fast easy assembly. We recommend that you assemble the shed using a trestle table or sawhorses and planks. This will ensure that you are working off the ground and make it easier for you. Assembly is a two person job and should not be attempted in windy conditions.

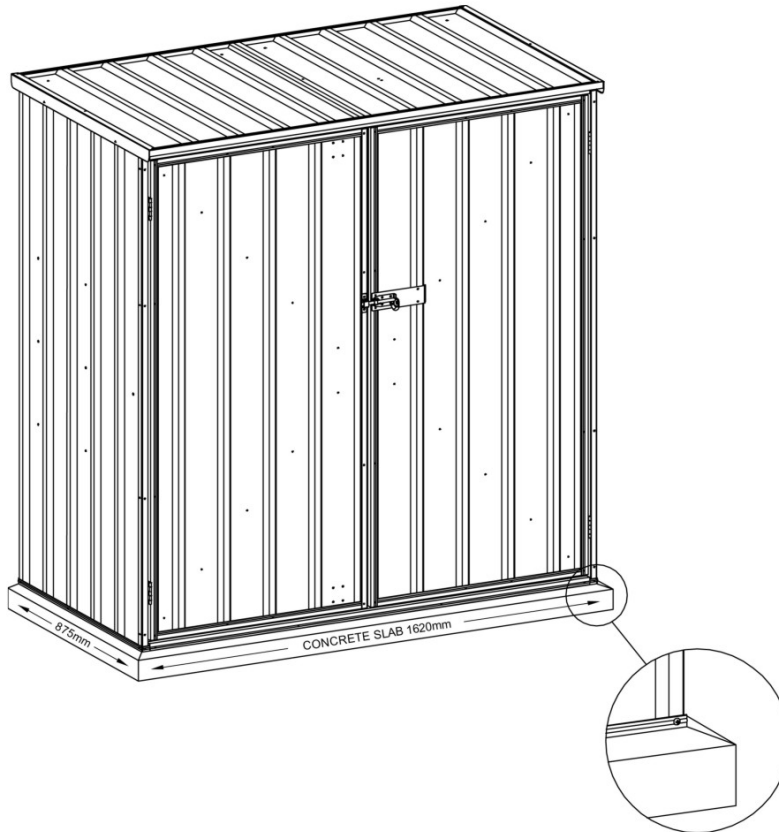
Sequence of operations.

- 2.1 Check all parts against the component list.
- 2.2 Assemble the rear wall panels.
- 2.3 Assemble the side wall panels.
- 2.4 Assemble the roof panels.
- 2.5 Assemble the front wall panels.
- 2.6 Assemble door.
- 2.7 Fit the panels together.
- 2.8 Prepare and fit to plinth slab.

3. CONCRETE PLINTH SLAB

Concrete Slab: It is recommended that your new shed is secured to a concrete slab as shown below.

Please ensure that your site is level. It is recommended that your slab is 100mm thick, you use a plastic membrane and a suitable reinforcing mesh. We recommend that you make your slab 100mm bigger than the base dimensions of your shed. This will allow for a 50mm edge around your shed. We recommend that you slope the 50mm edges downward by 10mm so that rain water will drain away from your shed.


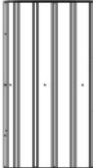

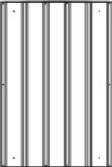
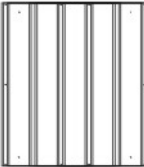
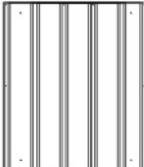


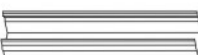











4. TOOLS REQUIRED




5. CONTENTS





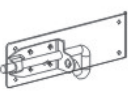

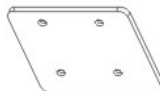



Check contents: Lay out all components with the part numbers facing upwards and check off against the parts lists on the next four pages. In the unlikely event of a missing component please contact you local Sealey dealer.


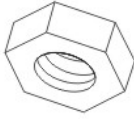




Picture	Description	Component	Location	Part No.	QTY	Check
	Sheet	sheet 1500 x 770	rear wall	14A	1	
	Sheet	sheet 1500 x 735	rear wall	11A	1	
	Sheet	sheet 1500 x 770	side wall	14B	1	
	Sheet	sheet 1500 x 770	side wall	14C	1	
	Sheet	sheet 855 x 770	roof	3B	1	
	Sheet	sheet 855 x 735	roof	11B	1	
	Door	sheet 1445 x 710	door	5D	1	
	Door	sheet 1445 x 710	door	5E	1	
	Channel	channel 1477	roof	39A	1	
	Channel	channel 1477	roof	39B	1	

	Channel	channel 1477	rear wall	39C	1	
	Channel	channel 1477	rear wall	39D	1	
	Channel	channel 1477	front	39E	1	
	Channel	channel 1477	front	39F	1	
	Channel	channel 768	side wall	21B	2	
	Channel	channel 768	side wall	21F	2	
	Channel	channel 1498	front	29D	2	
	Channel	channel 1431	front	B3	1	
	Channel	channel 1427	rear wall	B5	1	
	Channel	channel 718	side wall	32E	2	
	Jamb	jamb 1498	front	45L	1	
	Jamb	jamb 1498	front	45R	1	
	Jamb	jamb 1431	front	D3	1	

	Lip	lip 856	roof	50A	2	

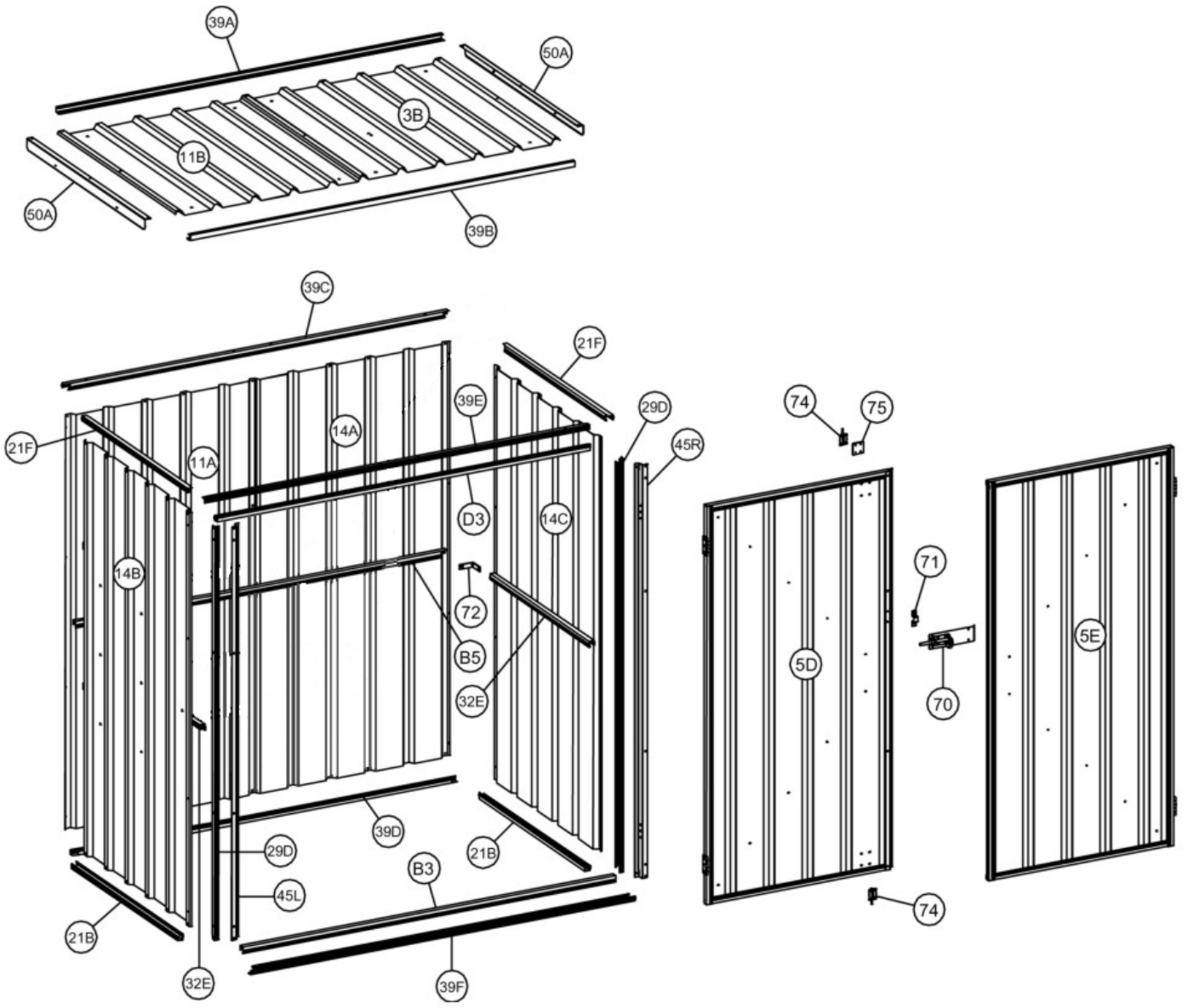
FITTINGS PACK

Picture	Component	QTY	Picture	Component	QTY
	Self tapping screws (10mm)	140		Self tapping screws (16mm)	12
	Ø4 x 10mm Rivet	20		Ø3 x 10mm Rivet	6
	Pad Shoot bolt Part No (74)	1		Keeper Part No (71)	2
	Pad Shoot bolt plate Part No (75)	1		60mm Barrel shoot bolt Part No (70)	2
	Mid height wall bracket Part No (72)	2		Base bracket	6

	5/16"x19mm Hexagonal bolt	6		5/16" Hexagonal nut	6
	Self taper safety cover	25		Channel safety cover (L type)	1
	Channel safety cover (R type)	1		Sleeve anchor bolt	6

5.1 Please note some component descriptions may differ in manual text to listings, always use pictures from listings to double check component identity. ie M8 fixings may be supplied in lieu of 5/16".

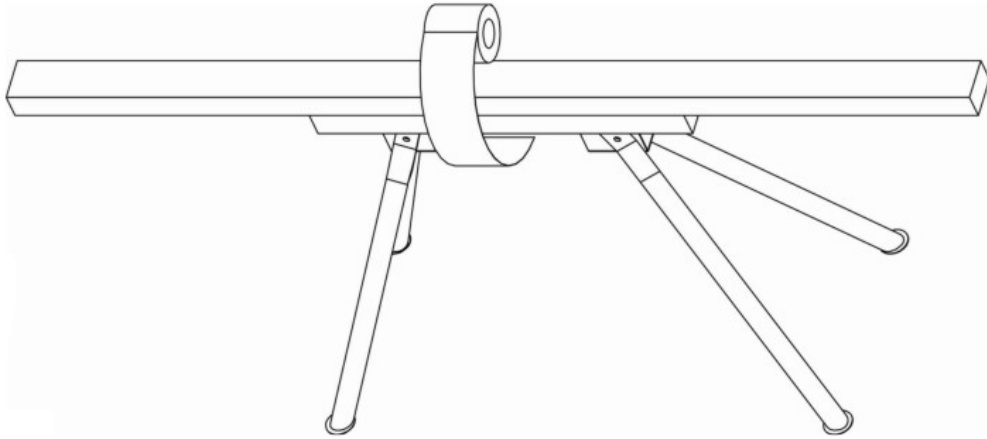
6. PARTS DIAGRAM



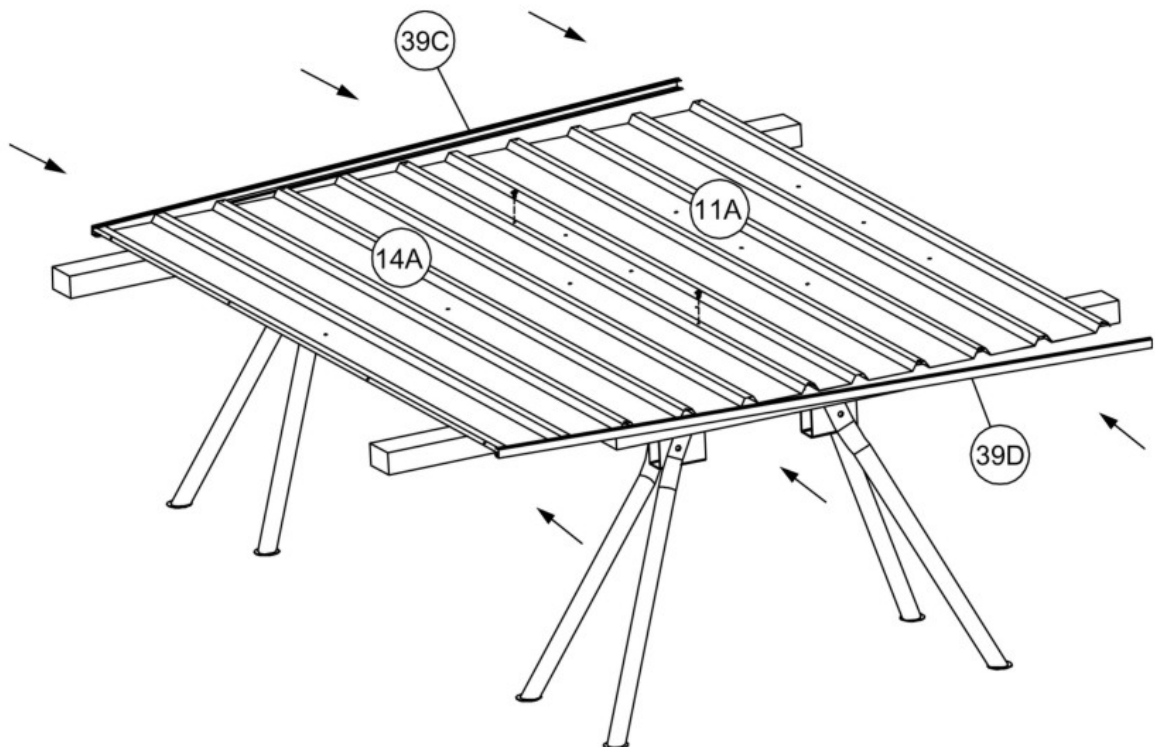
7. ASSEMBLY

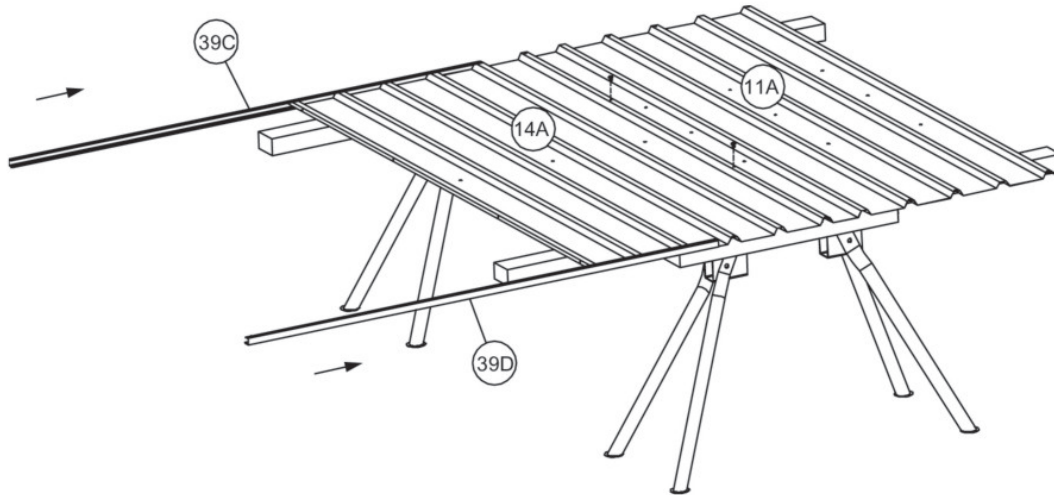
7.1 ASSEMBLE THE REAR WALL PANELS

- 7.1.1 You will find it easier to assemble the shed using trestles, with timber studding of equal or greater panel length. Trestles are available separately from your Sealey Dealer. Attach the studding to trestles with equal overhang using nylon cable ties or similar "safe" method.

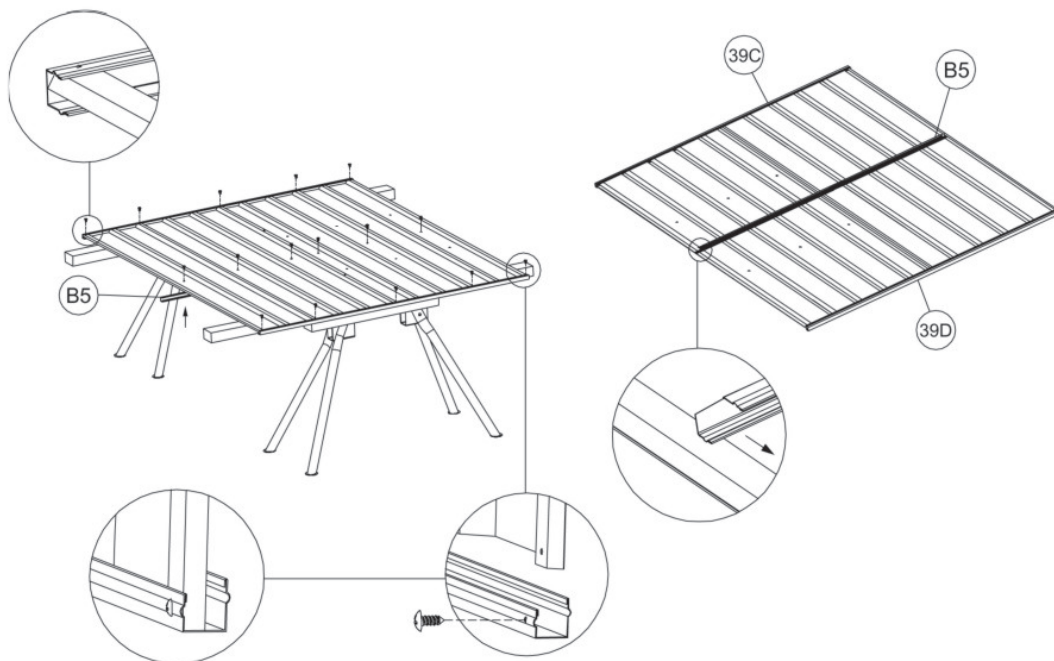


- 7.1.2 Place panel 14A and 11A on your work table and join them together with the 10mm long self tapping screws. See the pre-punched holes and diagram below.
- 7.1.3 Fit top and bottom channels 39C and 39D to panels by firstly sliding and finally tapping into place as indicated by arrows in the diagrams. Note that the smaller flange on the channels should always be adjacent to the outside face of the panel; this prevents rainwater entering the compartment of the shed. The outside face is the top face in the diagram below.





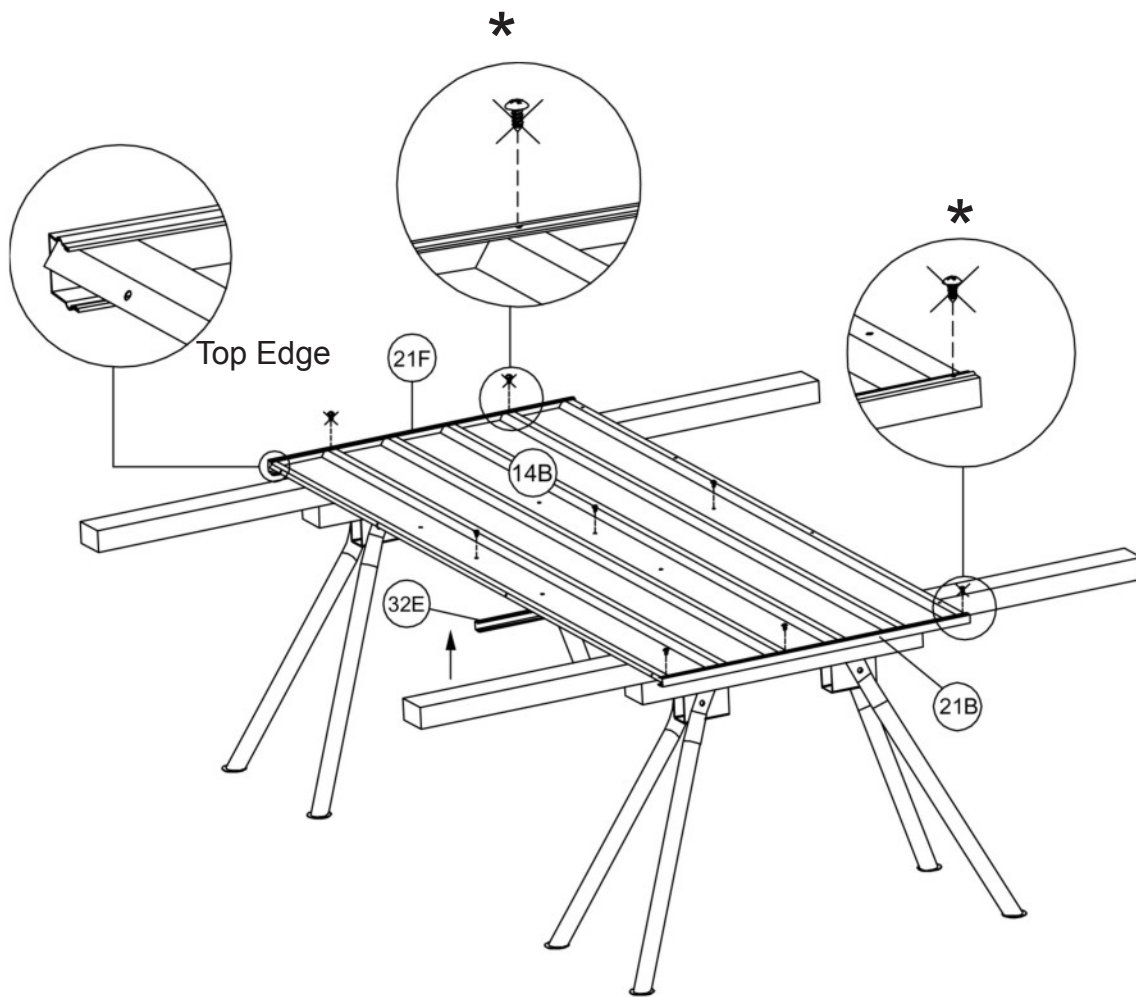
7.1.4 An alternative method is to slide channels 39C and 39D as indicated by arrows in diagram above.



7.1.5 Fit item B5 the mid height wall channel to the panel and position it by the pre-punched holes and 10mm long self tapping screws. Note this channel is fitted with the flat face uppermost, ie. nearest the “top”, when the shed is assembled.

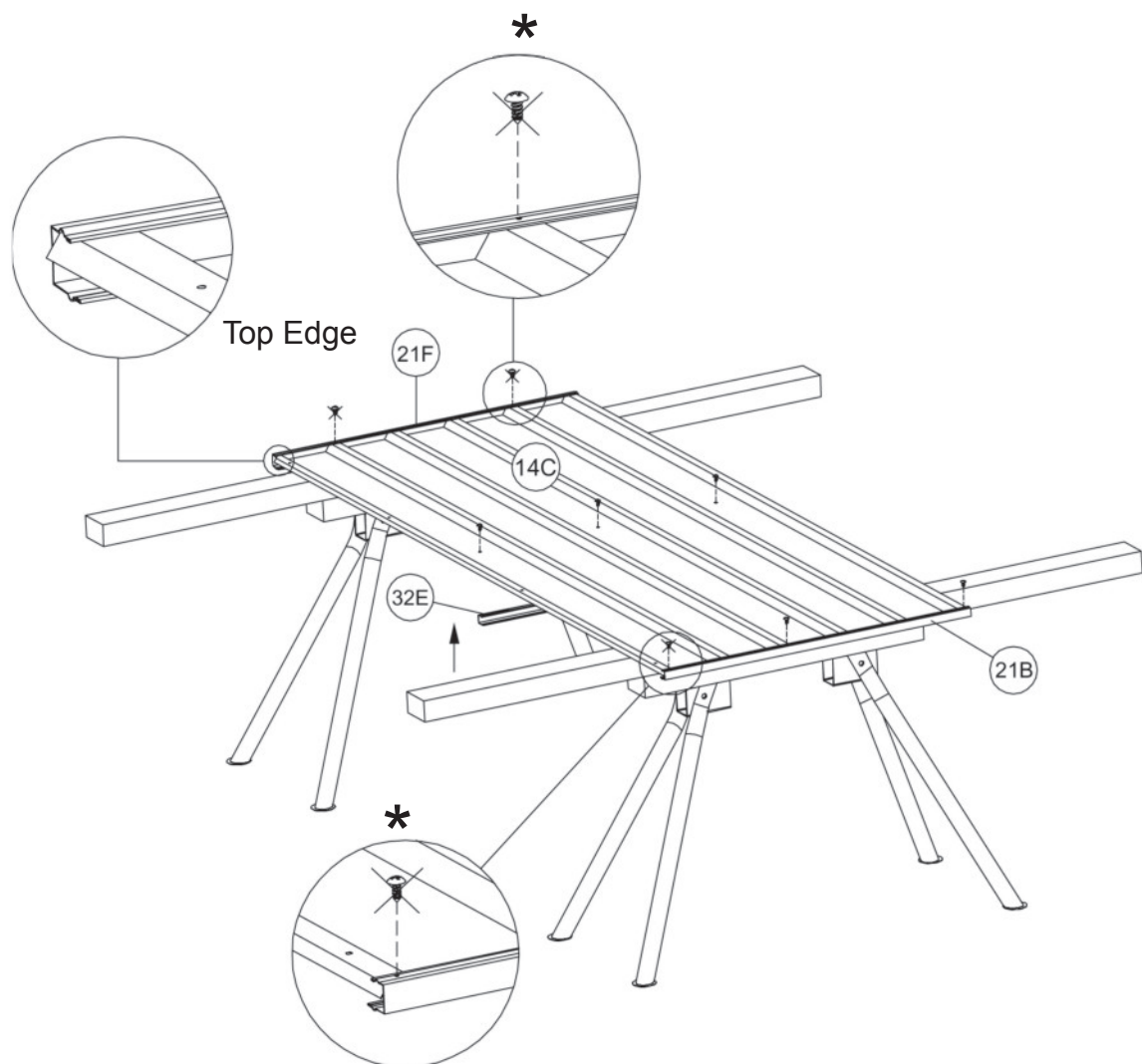
7.1.6 With 10mm long self tapping screws fix items 39C and 39D to top and bottom edges.

7.2 ASSEMBLE THE END WALL PANEL.



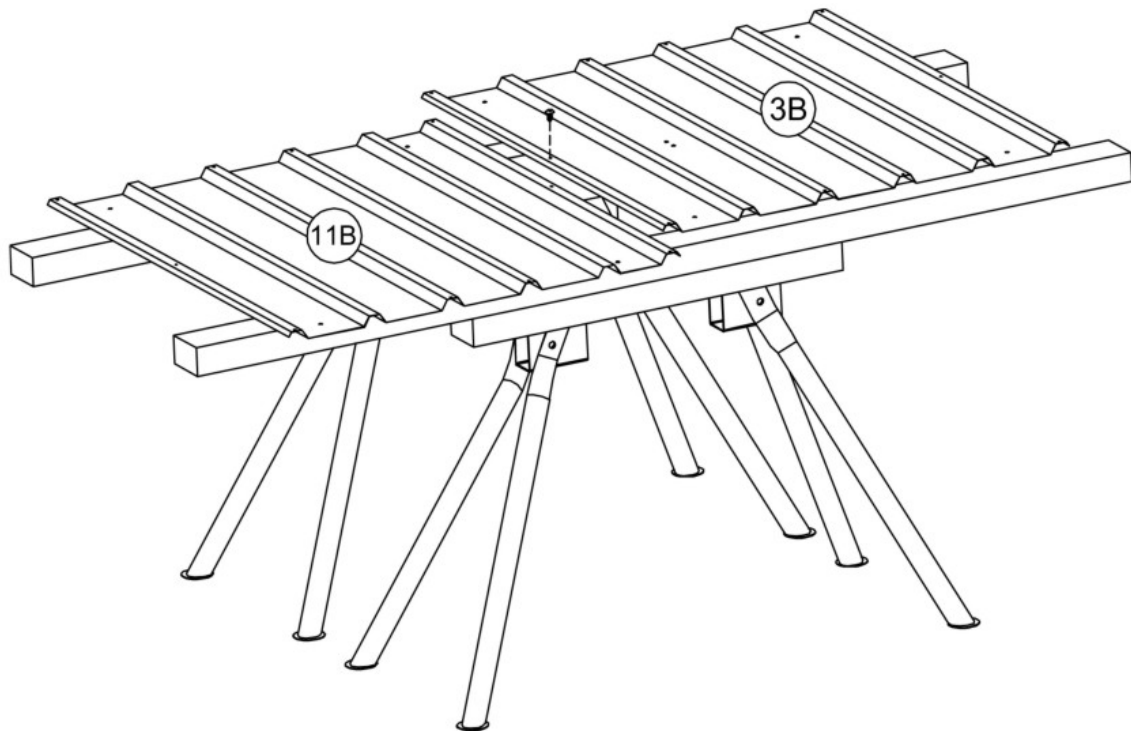
- 7.2.1 Place panel 14B on your work table.
- 7.2.2 Fit top and bottom channels 21B and 21F to panel by firstly sliding and finally tapping into place as previously similar panel build. Note again that the smaller flange on the channels should always be adjacent to the outside face of the panel. The outside face is the top face in the diagram.
- 7.2.3 Fit item 32E the mid height wall channel to the panel and position it by the pre-punched holes and 10mm long self tapping screws. Note this channel is fitted with the flat face uppermost, ie. nearest the "top" when assembling the shed.
- 7.2.4 With self tapping screws fix item 21B to bottom edge except in position marked with asterisk *, and **do not** screw fix item 21F to top edge at this stage. See those fixings marked with asterisk *.

7.3 ASSEMBLE THE OPPOSITE END WALL PANEL

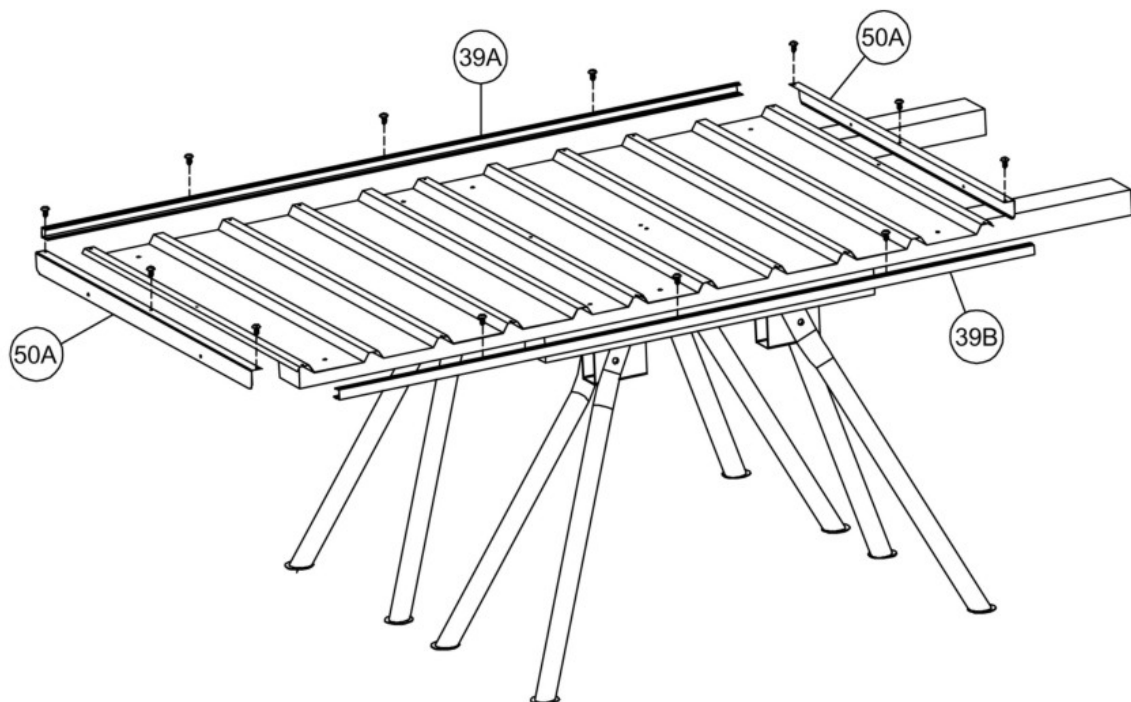


- 7.3.1 Place panel 14C on your work table.
- 7.3.2 Fit top and bottom channels 21B and 21F to panel by firstly sliding and finally tapping into place as previously similar panel build. Note again that the smaller flange on the channels should always be adjacent to the out side face of the panel. The outside face is the top face in the diagram.
- 7.3.3 Fit item 32E the mid height wall channel to the panel and position it by the pre-punched holes and 10mm long self tapping screws. Note this channel is fitted with the flat face uppermost, ie. nearest the "top" when assembling the shed.
- 7.3.4 With self tapping screws fix item 21B to bottom edge, but do not screw fix item 21F to top edge at this stage. See those fixings marked with asterisk *.

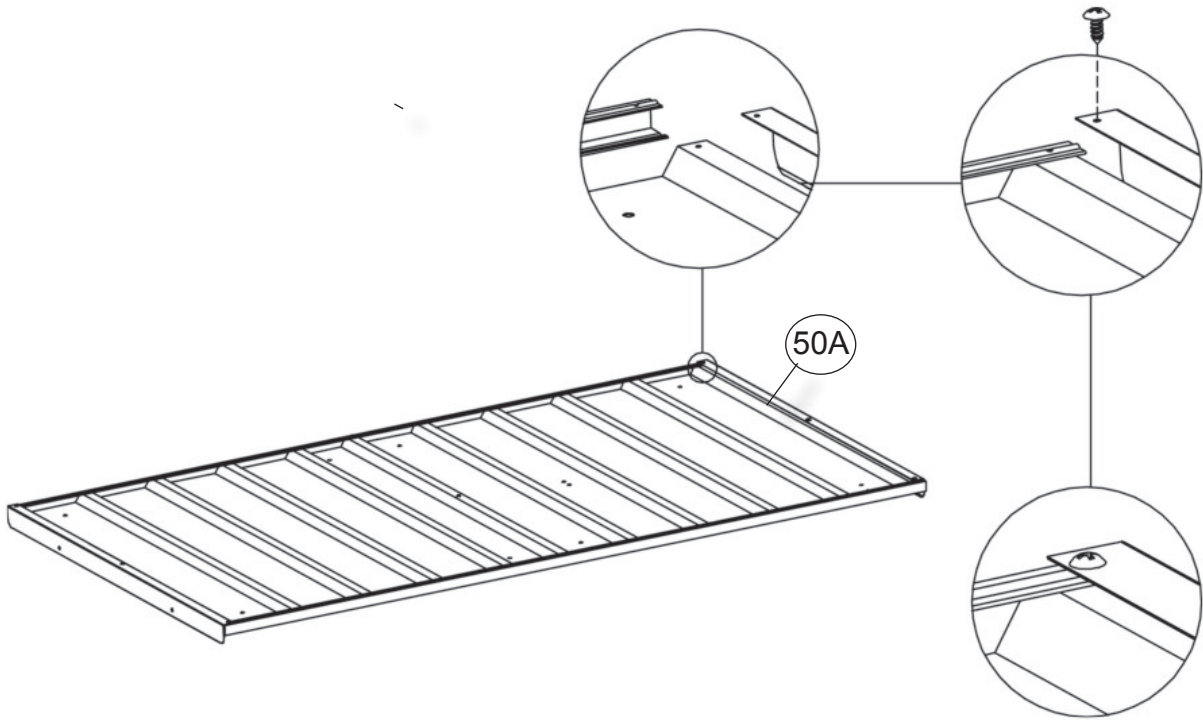
7.4 ASSEMBLE THE ROOF PANEL



- 7.4.1 Place both panels item 3B and 11B on your work table and join them together with the 10mm long self tapping screws. See the pre-punched holes.



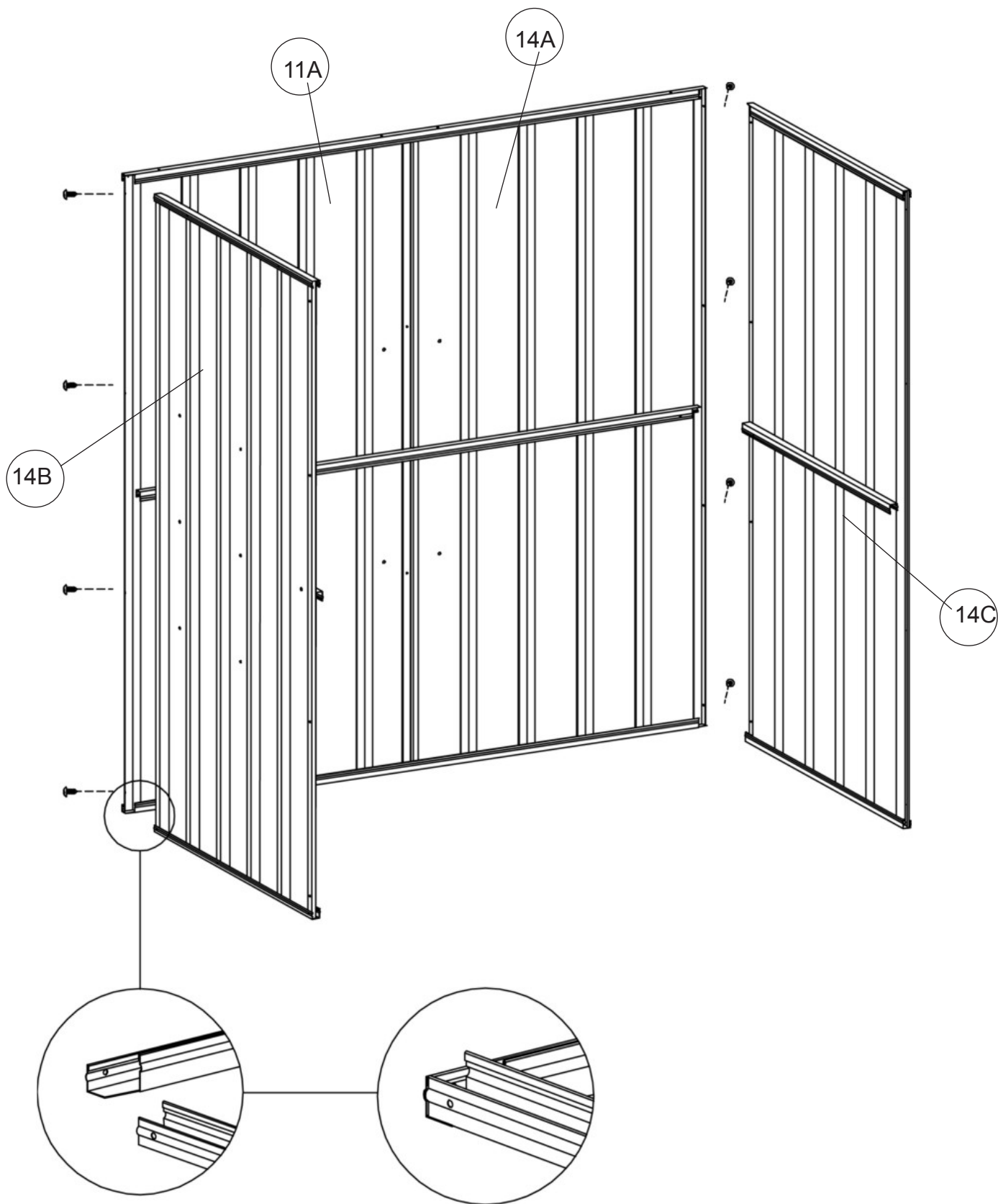
- 7.4.2 Fit top and bottom channels item 39A and 39B to panels by firstly sliding and finally tapping into place as previously explained in 7.1.3. Note that the smaller flange on the channels should always be adjacent to the outside face of the panel. The outside face is the top face in both diagrams.



7.4.3 Fit item 50A (angles) to each edge, refer to diagram above for flange orientation. Fix with 10mm long self tapping screws.

7.5 FIT THE SUB ASSEMBLED REAR AND END PANELS TOGETHER.

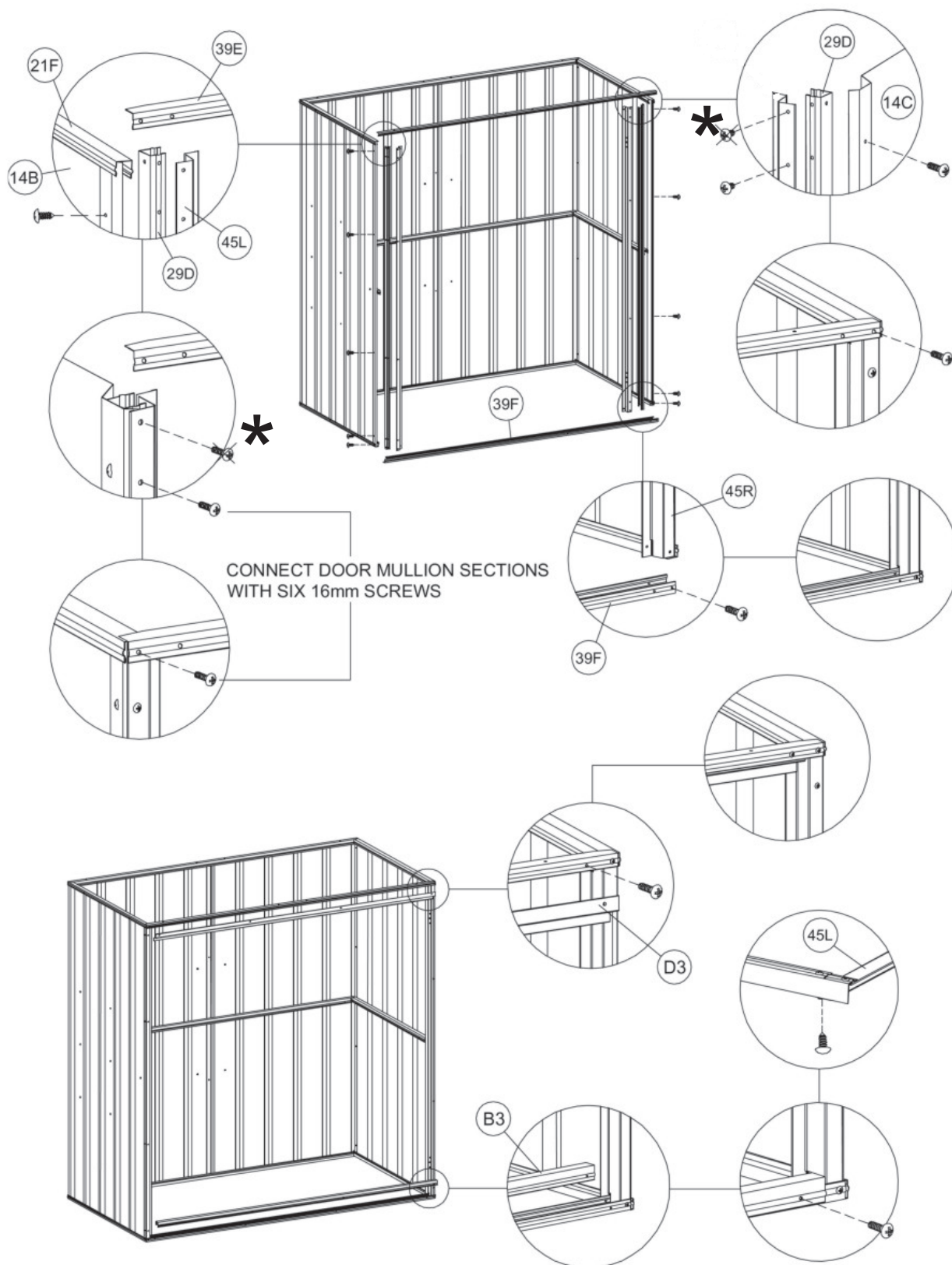
7.5.1 Attach the end wall 14B to the rear wall 11A & 14A, then the opposite end wall 14C. Fix all walls with the 10mm long self tapping screws.



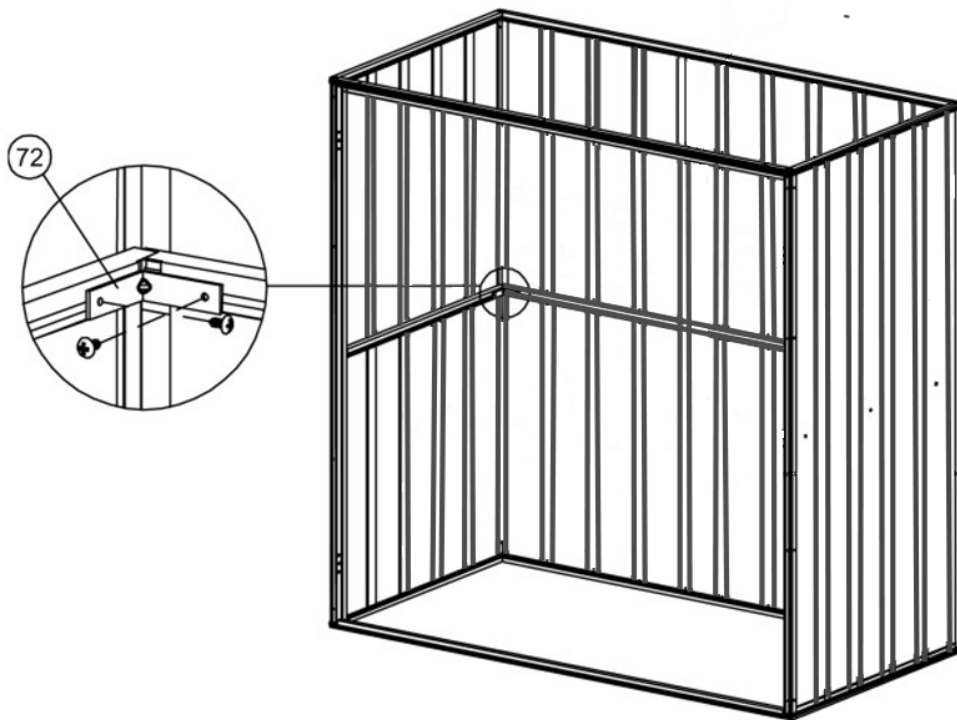
7.6 INSTALL THE DOOR FRAME

7.6.1 Install the front frame items 39E and 39F as per following diagrams. The door mullion sections items 45L and 45R are fixed with 16mm long self tapping screws. Do not fix self tapping screws marked * in enlarged ballooned views until after the door jamb item D3 has been fitted. See 7.6.2.

7.6.2 Slide D3 the door jamb into the top channel and fix with 10mm long self tapping screws.

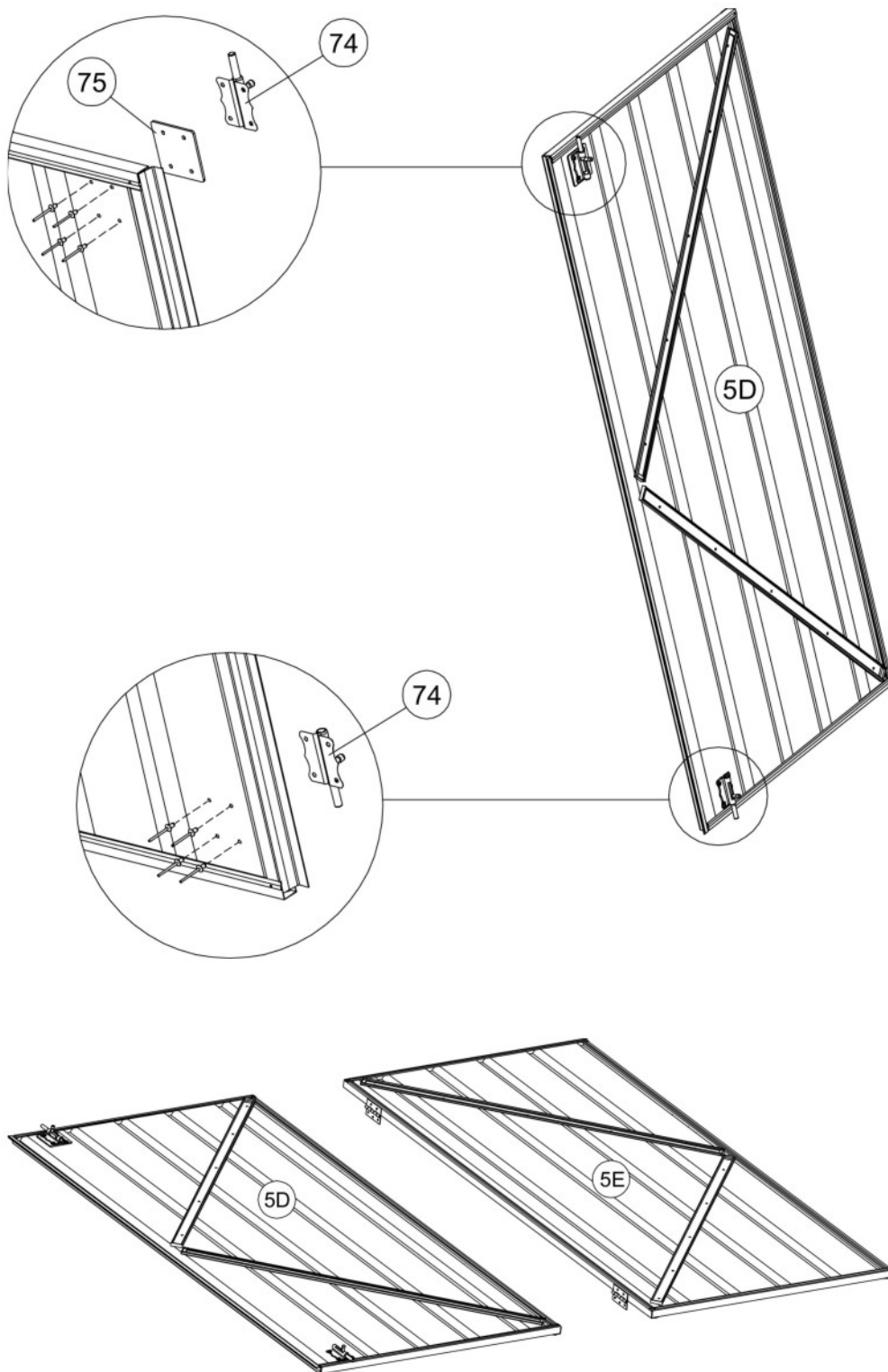


7.6.3 Fit the corner stiffener brackets item 72, fix with 10mm long self tapping screws.



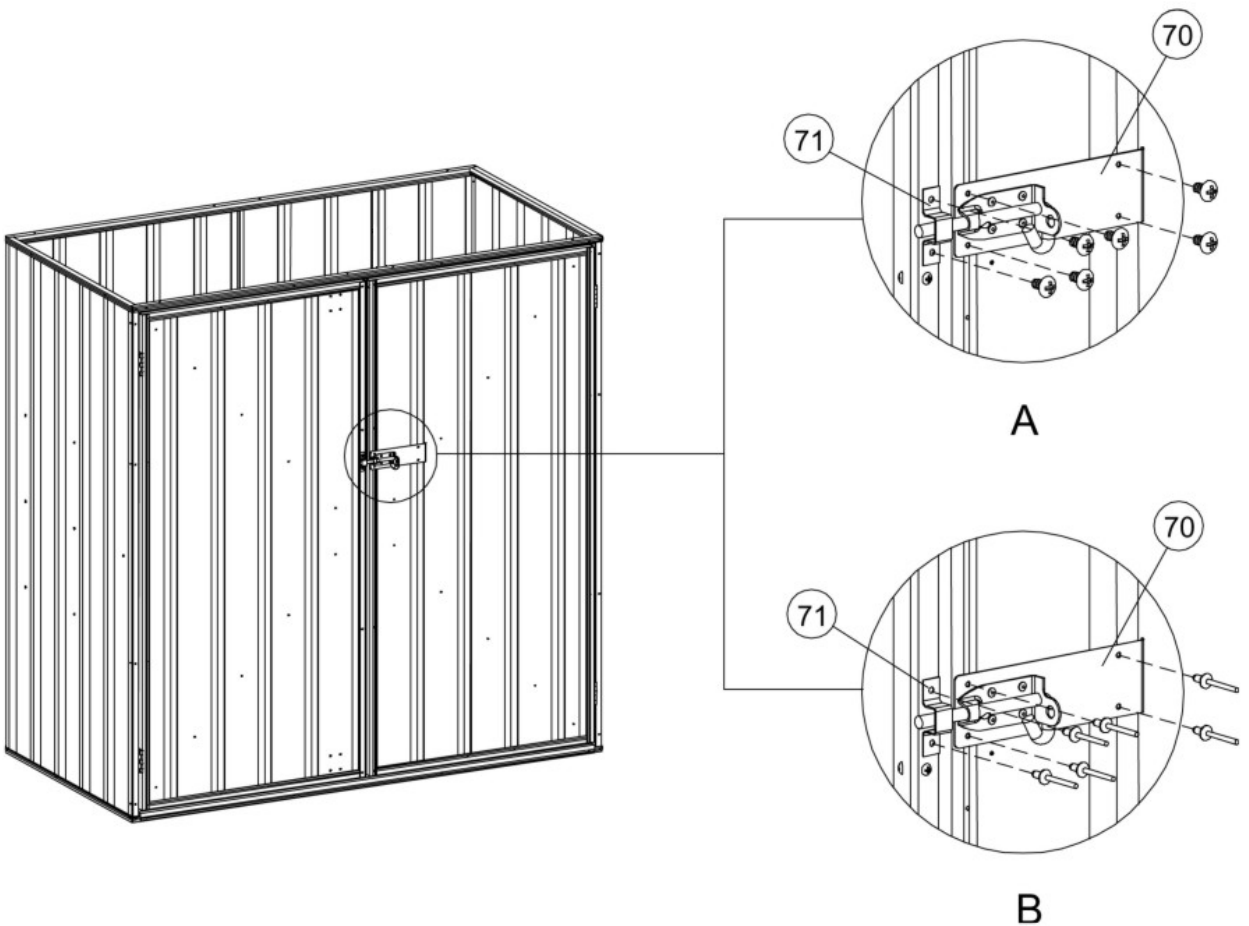
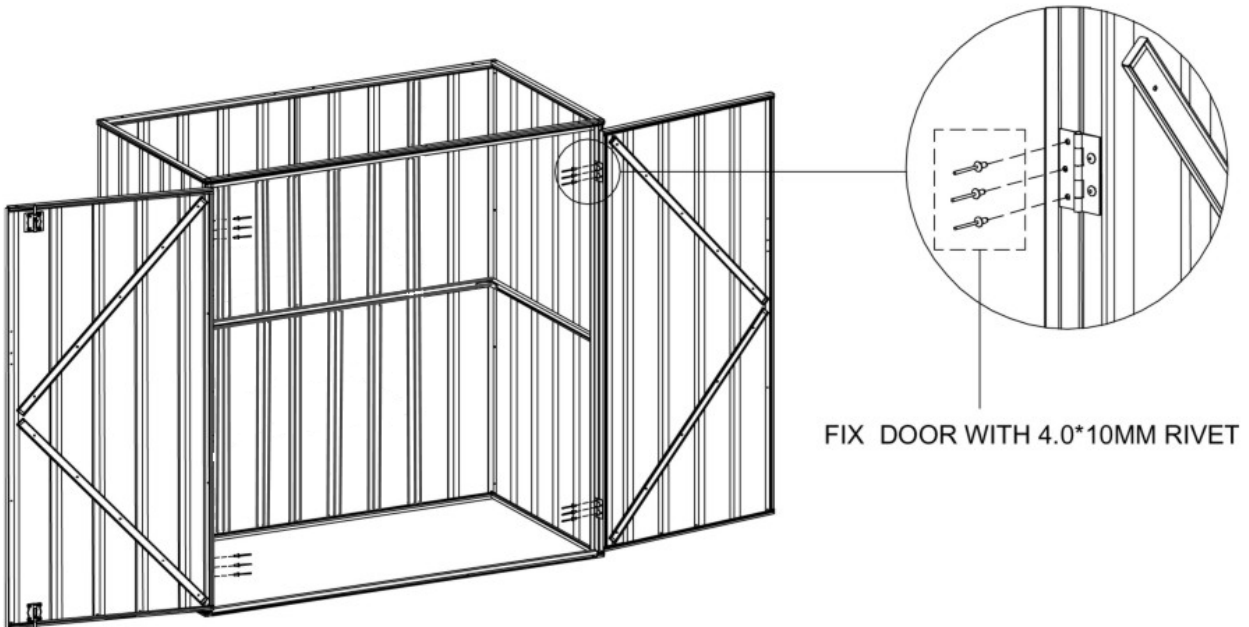
7.7 SUB ASSEMBLE THE DOORS.

7.7.1 Sandwich the stiffener plate item 75 between shoot bolt item 74 and door item 5D and “pop” rivet all three items together. This arrangement is at the top and bottom of the door item 5D.



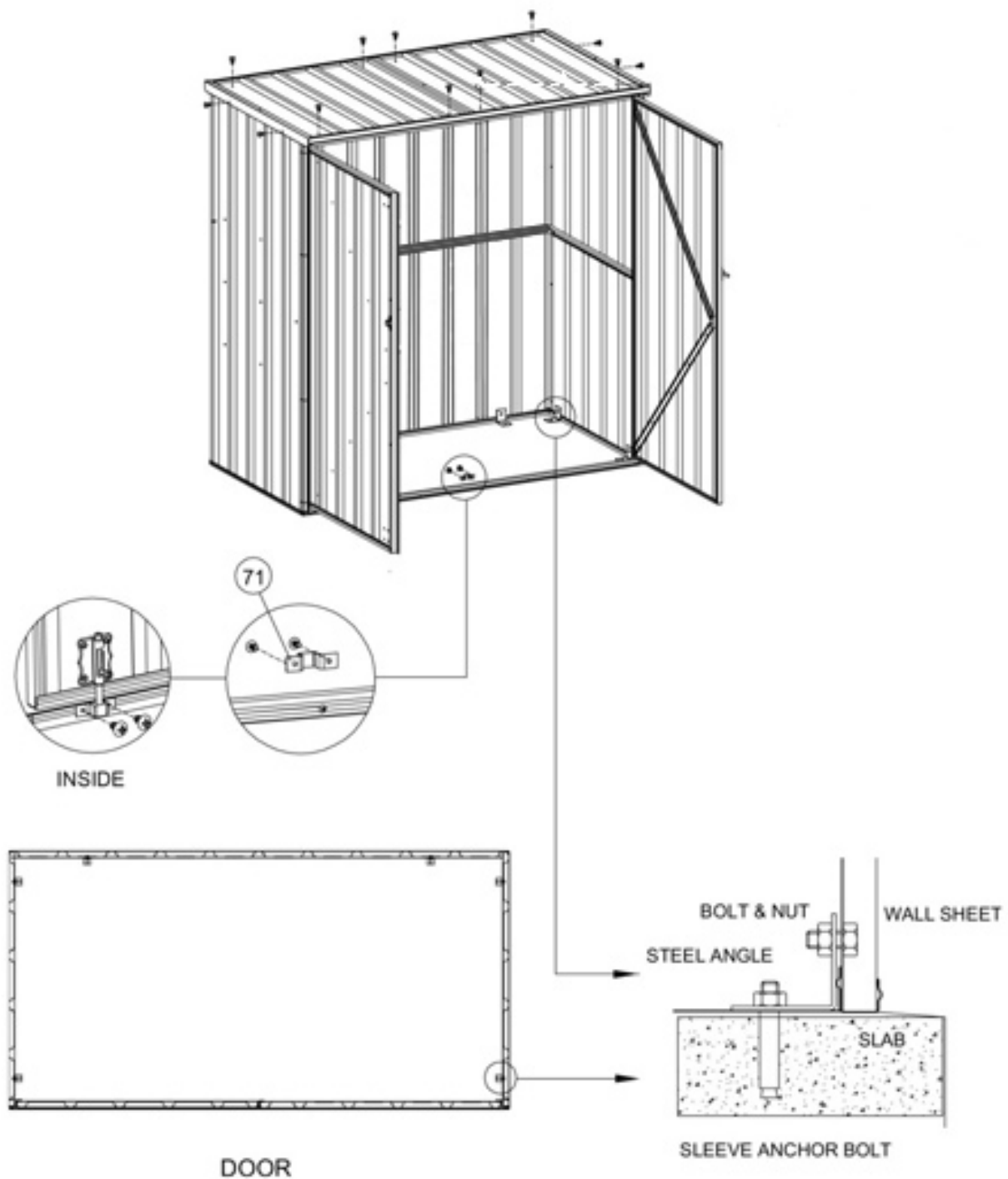
7.8 INSTALL THE DOOR.

- 7.8.1 Fit the pre assembled door item 5C to the rear panel via the hinges. Fix hinges into pre-punched holes with 4mm diameter rivets. Check action of door before crimping rivets.
- 7.8.2 Fit the shoot bolt item 70 and the bolt keeper item 71 and fix with 10mm long self tapping screws or 4mm diameter rivets. (fitting method A or B)



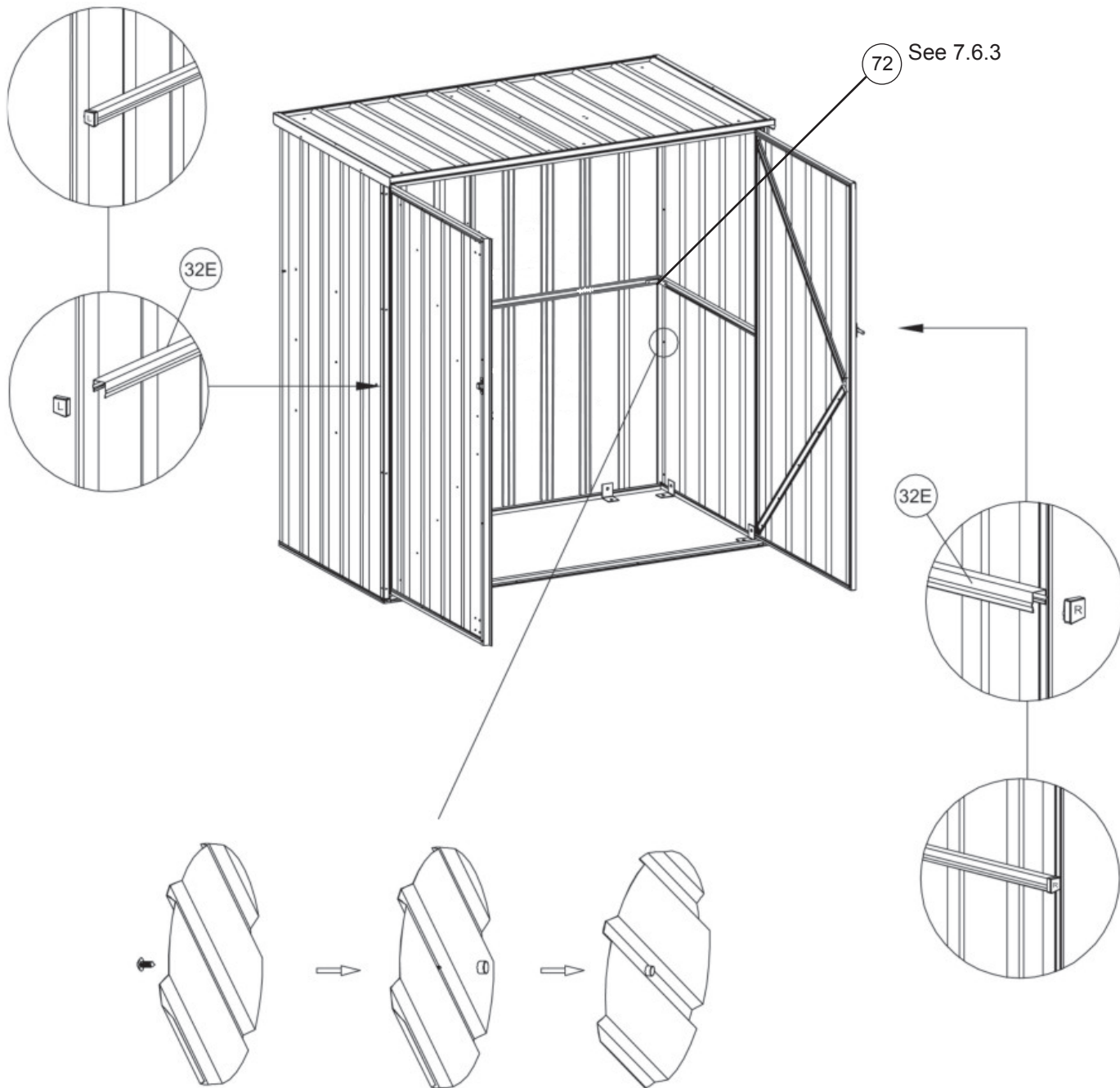
7.9 INSTALL THE ROOF

- 7.9.1 Self tapping screw fix the pre-assembled roof panel from 7.4; comprising items 39A, 39B and 50A.
- 7.9.2 With the shed located centrally about the plinth slab, position the 6 anchor steel angles (base brackets), M8 machine screw fix to internal compartment. This will require "spotting" and drilling 8mm diameter holes through to shed panels. Spot through holes to plinth slab, remove anchor angles (base brackets) and masonry drill slab for anchor bolts. Anchor bolts and M8 machine screws are supplied, see "FITTINGS PACK".
- 7.9.3 Insert anchor bolts, re-fit steel angles (base brackets) and anchor shed to plinth slab.



7.10 SHED USER SAFETY.

7.10.1 Fit safety covers L to 32E and R to 32E opposite side and any projecting screws to be made safe with self taper covers.



NOTE: It is our policy to continually improve products and as such we reserve the right to alter data, specifications and component parts without prior notice.

IMPORTANT: No liability is accepted for incorrect use of this product.

WARRANTY: Guarantee is 12 months from purchase date, proof of which will be required for any claim.

INFORMATION: For a copy of our latest catalogue and promotions call us on 01284 757525 and leave your full name and address, including postcode.

SEALEY

**Power
PRODUCTS**

Sole UK Distributor, Sealey Group,
Kempson Way, Suffolk Business Park,
Bury St. Edmunds, Suffolk,
IP32 7AR



01284 757500



www.sealey.co.uk



01284 703534



sales@sealey.co.uk