

Thank you for purchasing a Sealey product. Manufactured to a high standard this product will, if used according to these instructions and properly maintained, give you years of trouble free performance.

**! IMPORTANT: PLEASE READ THESE INSTRUCTIONS CAREFULLY. NOTE THE SAFE OPERATIONAL REQUIREMENTS, WARNINGS AND CAUTIONS. USE THE PRODUCT CORRECTLY AND WITH CARE FOR THE PURPOSE FOR WHICH IT IS INTENDED. FAILURE TO DO SO MAY CAUSE DAMAGE AND/OR PERSONAL INJURY AND WILL INVALIDATE THE WARRANTY. PLEASE KEEP INSTRUCTIONS SAFE FOR FUTURE USE.**

## 1. CONTENTS

	Page No.		Page No.
Section 2. General	1.	Section 5. Assembly and storage	3.
Section 2.1. Identification	1.	Section 6. Owner's & Operator's Responsibilities	3.
Section 2.2. Technical Data	1.	Section 7. Declaration of Conformity	4.
Section 3. Safety/Operational Instructions	2.	Section 8. Parts List/Diagram	5.
Section 4. Maintenance/Examination/Inspection	2.		

## 2. GENERAL

### 2.1. Identification

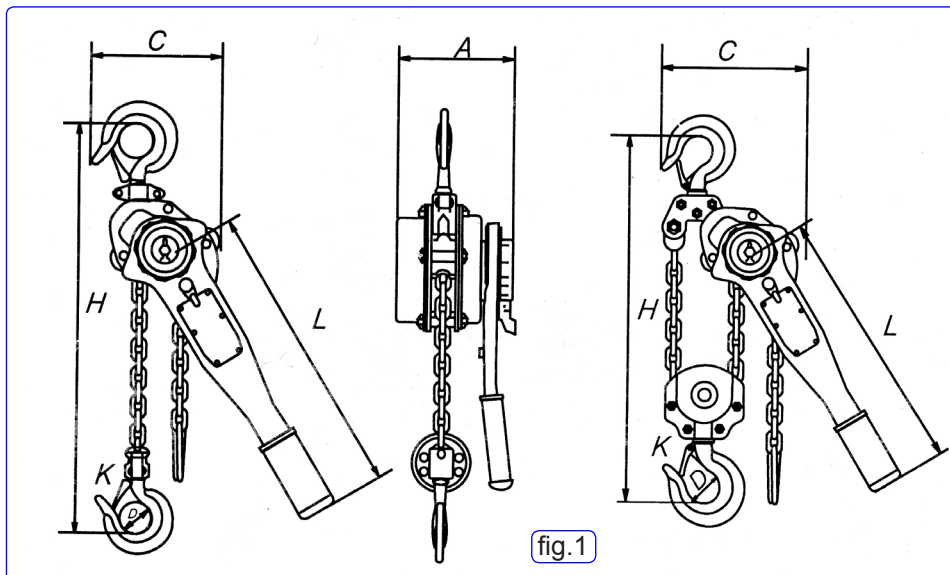
Supplier: Sealey Power Products,  
Kempson Way,  
Suffolk Business Park,  
Bury St Edmunds,  
Suffolk, IP32 7AR.

Model No's: LH750.V3, LH1000.V3, LH1500.V3, LH3000.V3.

### 2.2. Technical Data (A, C, D, K and L refer to fig.1)

Model No:	LH750.V3	LH1000.V3	LH1500.V3	LH3000.V3
Capacity:	750kg	1000kg	1500kg	3000kg
Test Load:	1125kg	1500kg	2250kg	4500kg
Load Chain Ø:	6mm	8mm	8mm	10mm
Pulling Effort to Lift Full Load:	14kgf	24kgf	24kgf	33kgf
Head Room:	275mm	295mm	295mm	400mm
Chain Falls:	1	1	1	1
Chain Length:	1.5mtr	1.5mtr	1.5mtr	1.5mtr
Lever Length (L):	280mm	410mm	410mm	410mm
Overall Width (C):	136mm	160mm	160mm	180mm
Overall Depth (A):	148mm	172mm	172mm	200mm
Operating Clearance:	99mm	104mm	104mm	108mm
Hook Aperture (K):	25mm	30mm	30mm	40mm
Maximum Hook Capacity Ø (D):	37mm	45mm	45mm	50mm
Weight:	7.4kg	12kg	12kg	24kg

- Design Capability: Test Load 50% overload.
- For applications see Section 3.
- For information on parts and materials requiring specialised repair techniques see Section 4.
- Ambient operating temperature is between -10°C and +50°C.



### 3. SAFETY / OPERATING INSTRUCTIONS

#### 3.1. SAFETY

- ✓ Ensure that the lever hoist is in a good working order and condition. Follow the inspection requirements as described in Section 4 Maintenance. *Take immediate action to repair or replace damaged parts by contacting your supplier. Ensure that all accessory lifting devices are suitably certified. If lever hoist is damaged, remove from service immediately.*
- Use recommended parts only. The use of unauthorised parts may be dangerous and will invalidate the warranty.
- ❑ **WARNING! Failure to heed safety and warning instructions may result in damage and/or personal injury and will invalidate the warranty.**
- ✓ ***This lever hoist is designed for lifting within a garage or workshop environment.***
- ✓ Ensure the support for the lever hoist is capable of withstanding a load of at least 1½ times the lever hoist safe working load.
- ✓ Keep the lever hoist clean for the best and safest performance.
- ✓ Locate the lever hoist in a suitable, well lit work area.
- ✓ Keep work area clean and tidy and free from unrelated materials.
- ✓ Ensure all non-essential persons keep a safe distance whilst the lever hoist is in use.
- ✓ Keep children and unauthorised persons away from the working area.
- ✓ To avoid injury, be fully aware of your own and other people's locations, in relation to the lifting, and lowering, of the load.
- ✓ Keep a sound footing and balance, and ensure the floor is not slippery.
- ✓ Ensure load sling(s) are fully engaged in load hook and that hook safety bar is in the closed position.
- ✓ Raise and lower in a smooth, controlled manner and **DO NOT** shock load the lever hoist by allowing the attached load to fall freely, even for very short distances. Lower load with care, ensuring that you are fully aware of the condition of the surface onto which the load is to be placed.
- ✓ Check the brake operation by stopping when the load has been raised a short distance (100mm) and ensuring that it is held with no downward creep.
- ✓ Use a qualified person to lubricate and maintain the lever hoist.
- ▲ **DANGER:** Use the lever hoist for lifting only, NOT for supporting the lifted load.
- ✗ **DO NOT** use the lever hoist in an explosive or corrosive atmosphere.
- ✗ **DO NOT** operate the lever hoist if damaged.
- ✗ **DO NOT** allow untrained persons to operate the lever hoist.
- ✗ **DO NOT** exceed the rated capacity (safe working load) of the lever hoist.
- ✗ **DO NOT** attempt to lift a load if the lever hoist is kinked or knotted.
- ✗ **DO NOT** try to raise a load with two, or more, lever hoists - use a single block of adequate capacity.
- ✗ **DO NOT** use the lever hoist to drag the load across the floor. Always position the load directly below the hoist.
- ✗ **DO NOT** wrap the lever hoist around the load - always use separate and suitable slings/chains/ropes of the correct capacity.
- ✗ **DO NOT** allow anyone to stand or pass beneath the raised load.
- ✗ **DO NOT** use the lever hoist for purposes other than that for which it is designed.
- ✗ **DO NOT** use whilst under the influence of drugs, alcohol or intoxicating medication.
- ✓ When not in use, store in a safe, dry, childproof location.



**NOTE: ENSURE THAT YOU HAVE READ AND UNDERSTOOD THE SAFETY INSTRUCTIONS AT THE BEGINNING OF THIS SECTION BEFORE YOU OPERATE THE LEVER HOIST.**

#### 3.2. OPERATION. (Refer to Section 4.2 regarding inspection before each and every use).

A risk assessment must be carried out before undertaking any operations with the lever hoist.

- 3.2.1. Ensure that the lever hoist is suspended from a structure capable of supporting at least 1½ times the safe working load of the hoist and that the hoist hook is fully engaged, with the safety bar closed.
- 3.2.2. Confirm that the load does not exceed the Safe Working Load of the hoist.
- 3.2.3. Ensure that slings/chains/ropes around the load are adequate and in good condition and that the load is directly below block.
- 3.2.4. Attach slings/chains/ropes to hoist load hook and ensure safety bar is closed.
- 3.2.5. Select 'UP' and smoothly use ratchet handle until load chain is taut, confirm that it is vertical (i.e. not pulling at an angle).
- 3.2.6. Start to raise load and check that it is level, with no possibility of the load tilting and/or slipping from its restraints. If necessary lower load and readjust slings to obtain a safe, level lift. Stop lifting at approximately 100mm to check that brake will hold load.
- 3.2.7. Continue to raise load to required height in a slow and controlled manner. Do not raise so far that load hook comes into contact with the hoist.
- 3.2.8. To lower the load, select 'DOWN' and use the ratchet handle. Lower smoothly and slowly, do not lower so far as to completely extend the full length of the load chain.
- 3.2.9. If, at any time, the lever hoist will not move in either direction do not attempt to force it but, after arranging safe support for any suspended load, have the block inspected by an Authorised Service Agent.

### 4. MAINTENANCE / EXAMINATION / INSPECTION

**NOTE: The Lever Hoist MUST be kept clean and dry and must be maintained in accordance with these instructions.**

#### 4.1. Lubrication.

Lubricate the load chain and both hook shanks regularly.

#### 4.2. Inspection and Examination of Lever Hoist Before Use.

- 4.2.1. Before each use of the lever hoist, an inspection must be performed for damage, loose or missing parts.
- 4.2.2. The lever hoist must be examined immediately, if it has been subject to an abnormal load or shock. It is recommended that such an examination is made by an authorised service agent.
- 4.2.3. The owner and/or operator must be aware that repair of this equipment will require specialised knowledge and facilities. It is recommended that an annual examination of the lever hoist is made by an authorised service agent.
- 4.2.4. Unauthorised parts may be dangerous and will invalidate the warranty.

**Note! Please see the Definition of 'inspection' and 'examination' below.**

##### Inspection:

Looking at the lever hoist for defects and checking the operation of the hooks, the load chain, the brake device and lubrication of the block without loading it. This is much more than a check but does not normally require any part of the lever hoist to be dismantled, other than removal or opening of covers or housings.

##### Examination:

Verification that the lever hoist can safely continue in service including a functional test of all safety devices i.e. the brake device etc to verify that they operate within the required tolerances. An examination is more thorough than an inspection.

## 5. ASSEMBLY / STORAGE INSTRUCTIONS

### 5.1. ASSEMBLY.

The lever hoist is delivered assembled. Unpack the product and check contents against the parts list in these instructions. Should there be any damaged or missing parts, contact your supplier immediately. It is recommended that two people lift the heavier models from their boxes and hook them onto the support to be used.

### 5.2. STORAGE.

Store in a safe, dry, childproof location.

## 6. OWNER'S & OPERATOR'S RESPONSIBILITIES

*The owner and/or operator shall study these instructions and retain them for future use.*

### 6.1. Understanding instructions and warnings.

The owner and/or operator shall understand the operating instructions and warnings before operating the lever hoist. Warning information must be emphasised and understood.

If the operator is not fluent in English, the product instructions and warnings must be read to, and discussed with, the operator in the operator's native language by the owner, making sure the operator understands the contents.

### 6.2. Damaged Lever Hoists.

Any lever hoist which appears to be damaged, badly worn, or operates abnormally, **MUST BE REMOVED FROM SERVICE!** It is recommended that necessary repairs be made by an authorised service agent.

### 6.3. End of service.

Through years of normal wear, the lever hoist will eventually become unserviceable. When this happens ensure that it is disposed of in accordance with local authority regulations.



The lever hoist is guaranteed for one year from the date of purchase. The Guarantee does not cover faults caused by incorrect use, lack of maintenance, accidental damage or damage caused to third parties through misuse. You are recommended to inform your insurers and check that adequate cover is in place. Warranty claims must be supported by a copy of the dated purchase receipt.

**NOTE:** It is our policy to continually improve products and as such we reserve the right to alter data, specifications and component parts without prior notice.

**IMPORTANT:** No liability is accepted for incorrect use of this product.

**WARRANTY:** Guarantee is 12 months from purchase date, proof of which will be required for any claim.

**INFORMATION:** For a copy of our latest catalogue and promotions call us on 01284 757525 and leave your full name and address, including postcode.



Sole UK Distributor, Sealey Group,  
Kempson Way, Suffolk Business Park,  
Bury St. Edmunds, Suffolk,  
IP32 7AR



01284 757500



www.sealey.co.uk



01284 703534



sales@sealey.co.uk



# EC DECLARATION OF CONFORMITY

We the sole importers into the UK, hereby declare that the equipment described below

Description and Function:.....Lever Hoists Steel 750kg, 1000kg, 1500kg, 3000kg.....

Model/Type:.....LH750.V3, LH1000.V3, LH1500.V3, LH3000.V3.....

Manufacturing Date / Serial number (optional).....

Manufacturer's authorised representative within the EC: **Jack Sealey Ltd. Kempson Way, Suffolk Business Park, Bury St. Edmunds, Suffolk, IP32 7AR**

Conforms to the requirements of the following Directives, as indicated.

- 2006/42/EC Machinery Directive
- 2000/14/EC Outdoor Noise Emissions Directive
- 2006/95/EC Low Voltage Directive
- 2002/96/EC WEEE Directive
- 2004/108/EC EMC Directive
- 2002/95/EC RoHS Directive
- 93/68/EEC CE Marking Directive
- 97/23/EC Pressure Equipment Directive

And the following harmonised standard(s): **BS EN 12157: 2004**.....

National technical standards and specifications (if applicable):.....

Technical file compiled by: **Jack Sealey Ltd.**

Signed:.....

Date:.....14-Apr-2010.....

Place: Bury St. Edmunds.

Name:.....Mark Sweetman.....

Position:.....Managing Director.....

Being the responsible person appointed by the manufacturer.



Sealey Power Products, Kempson Way,  
Suffolk Business Park, Bury St. Edmunds,  
Suffolk, IP32 7AR

 01284 757500

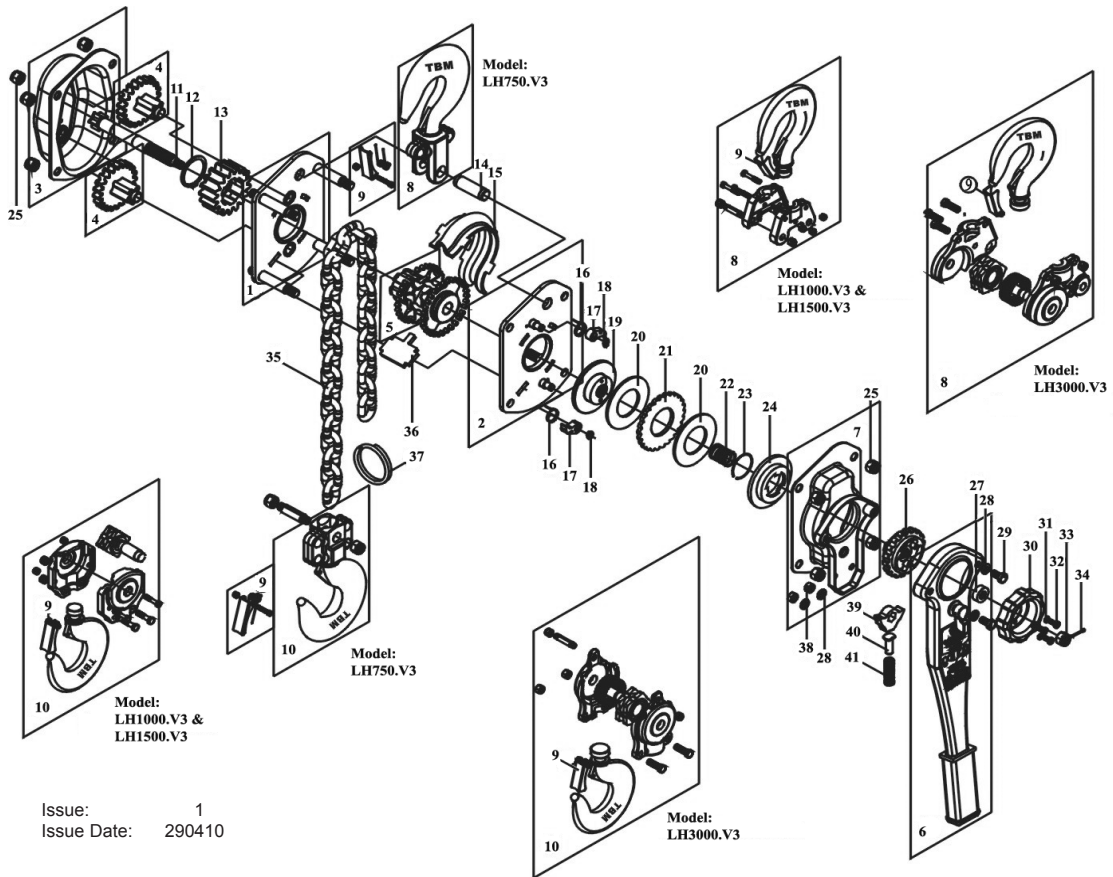
 01284 703534

 sales@sealey.co.uk

 www.sealey.co.uk

## 8. PARTS LIST / DIAGRAM

MODEL No's: LH750.V3, LH1000.V3, LH1500.V3, LH3000.V3



Issue: 1  
Issue Date: 290410

ITEM	PART NO	PART NO	PART NO	PART NO	DESCRIPTION
1	LH750.V3-01	LH1000.V3-01	LH1500.V3-01	LH3000.V3-01	GEAR SIDE PLATE ASS'Y
2	LH750.V3-02	LH1000.V3-02	LH1500.V3-02	LH3000.V3-02	LEVER SIDE PLATE
3	LH750.V3-03	LH1000.V3-03	LH1500.V3-03	LH3000.V3-03	GEAR CASE ASS'Y
4	LH750.V3-04	LH1000.V3-04	LH1500.V3-04	LH3000.V3-04	THIRD GEAR ASS'Y
6	LH750.V3-06	LH1000.V3-06	LH1500.V3-06	LH3000.V3-06	LEVER ASS'Y
7	LH750.V3-07	LH1000.V3-07	LH1500.V3-07	LH3000.V3-07	LEVER HANDLE ASS'Y
8	LH750.V3-08	LH1000.V3-08	LH1500.V3-08	LH3000.V3-08	TOP HOOK ASS'Y
9	LH750.V3-09	LH1000.V3-09	LH1500.V3-09	LH3000.V3-09	SAFETY LATCH ASS'Y
10	LH750.V3-10	LH1000.V3-10	LH1500.V3-10	LH3000.V3-10	BOTTOM HOOK ASS'Y
11	LH750.V3-11	LH1000.V3-11	LH1500.V3-11	LH3000.V3-11	PINION GEAR
12	LH750.V3-12	LH1000.V3-12	LH1500.V3-12	LH3000.V3-12	SNAP RING
13	LH750.V3-13	LH1000.V3-13	LH1500.V3-13	LH3000.V3-13	LOAD GEAR
14	LH750.V3-14	LH1000.V3-14	LH1500.V3-14	LH3000.V3-14	TOP HOOK PIN
15	LH750.V3-15	LH1000.V3-15	LH1500.V3-15	LH3000.V3-15	LOAD SHEAVE
16	LH750.V3-16	LH1000.V3-16	LH1500.V3-16	LH3000.V3-16	PAWL SPRING
17	LH750.V3-17	LH1000.V3-17	LH1500.V3-17	LH3000.V3-17	PAWL
18	LH750.V3-18	LH1000.V3-18	LH1500.V3-18	LH3000.V3-18	SNAP RING
19	LH750.V3-19	LH1000.V3-19	LH1500.V3-19	LH3000.V3-19	DISC HUB
20	LH750.V3-20	LH1000.V3-20	LH1500.V3-20	LH3000.V3-20	FRICTION DISC
21	LH750.V3-21	LH1000.V3-21	LH1500.V3-21	LH3000.V3-21	RATCHET DISC
22	LH750.V3-22	LH1000.V3-22	LH1500.V3-22	LH3000.V3-22	SPRING (24x30)
23	LH750.V3-23	LH1000.V3-23	LH1500.V3-23	LH3000.V3-23	RETAINING RING
24	LH750.V3-24	LH1000.V3-24	LH1500.V3-24	LH3000.V3-24	DISC HUB
25	LH750.V3-25	LH1000.V3-25	LH1500.V3-25	LH3000.V3-25	HEX NUT (M8)
26	LH750.V3-26	LH1000.V3-26	LH1500.V3-26	LH3000.V3-26	FEED GEAR
27	LH750.V3-27	LH1000.V3-27	LH1500.V3-27	LH3000.V3-27	SPACER
28	LH750.V3-28	LH1000.V3-28	LH1500.V3-28	LH3000.V3-28	O-RING
29	LH750.V3-29	LH1000.V3-29	LH1500.V3-29	LH3000.V3-29	LEVER BOLT (M6x12)
30	LH750.V3-30	LH1000.V3-30	LH1500.V3-30	LH3000.V3-30	FEED HANDLE
31	LH750.V3-31	LH1000.V3-31	LH1500.V3-31	LH3000.V3-31	O-RING
32	LH750.V3-32	LH1000.V3-32	LH1500.V3-32	LH3000.V3-32	SCREW
33	LH750.V3-33	LH1000.V3-33	LH1500.V3-33	LH3000.V3-33	NUT (M10)
34	LH750.V3-34	LH1000.V3-34	LH1500.V3-34	LH3000.V3-34	PIN (2.5x20)
35	LH750.V3-35	LH1000.V3-35	LH1500.V3-35	LH3000.V3-35	LOAD CHAIN (6x18)
36	LH750.V3-36	LH1000.V3-36	LH1500.V3-36	LH3000.V3-36	SPRING PLATE
37	LH750.V3-37	LH1000.V3-37	LH1500.V3-37	LH3000.V3-37	CHAIN STOPPER (70x15)
39	LH750.V3-38	LH1000.V3-38	LH1500.V3-38	LH3000.V3-38	NUT
39	LH750.V3-39	LH1000.V3-39	LH1500.V3-39	LH3000.V3-39	FEED RATCHET (46x30x9)
40	LH750.V3-40	LH1000.V3-40	LH1500.V3-40	LH3000.V3-40	SPRING PIN (18x32)
41	LH750.V3-41	LH1000.V3-41	LH1500.V3-41	LH3000.V3-41	RATCHET SPRING (9x40)



Sole UK Distributor, Sealey Group,  
Kempson Way, Suffolk Business Park,  
Bury St. Edmunds, Suffolk,  
IP32 7AR

01284 757500

www.sealey.co.uk

01284 703534

sales@sealey.co.uk