

Thank you for purchasing a Sealey product. Manufactured to a high standard this product will, if used according to these instructions and properly maintained, give you years of trouble free performance.



IMPORTANT: PLEASE READ THESE INSTRUCTIONS CAREFULLY. NOTE THE SAFE OPERATIONAL REQUIREMENTS, WARNINGS, AND CAUTIONS. USE THIS PRODUCT CORRECTLY, AND WITH CARE FOR THE PURPOSE FOR WHICH IT IS INTENDED. FAILURE TO DO SO MAY CAUSE DAMAGE, OR PERSONAL INJURY, AND WILL INVALIDATE THE WARRANTY.

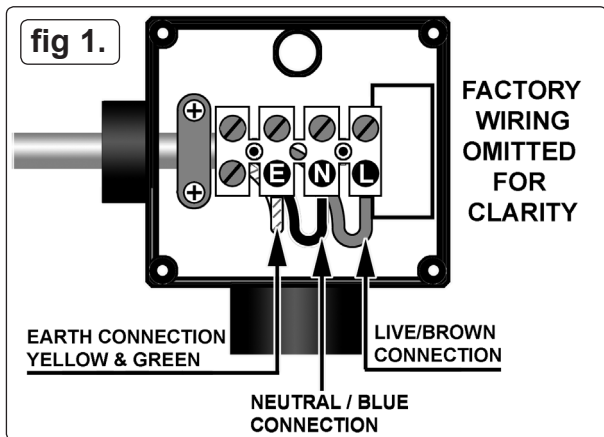
1. SAFETY INSTRUCTIONS

1.1. ELECTRICAL.

- WARNING! It is the user's responsibility to read, understand and comply with the following:
 - WARNING! THIS PRODUCT MUST BE INSTALLED BY A QUALIFIED ELECTRICIAN.
- You must check all electrical equipment and appliances to ensure they are safe before using. You must inspect power supply leads, plugs and all electrical connections for wear and damage. You must ensure the risk of electric shock is minimised by the installation of appropriate safety devices. An RCCB (Residual Current Circuit Breaker) should be incorporated in the main distribution board. **You must** also read and understand the following instructions concerning electrical safety.
- 1.1.1. Ensure the light is connected to an appropriate electrical on/off switch.
 - 1.1.2. Ensure the insulation on all cables and the product itself is safe before connecting to the mains power supply.
 - 1.1.3. Ensure that cables are always protected against short circuit and overload.
 - 1.1.4. Regularly inspect power supply, leads, plugs and all electrical connections for wear and damage, especially power connections, to ensure that none are loose.
 - 1.1.5. **Important:** Ensure the voltage marked on the product is the same as the electrical power supply to be used.
 - 1.1.6. DO NOT pull power cable once installed.
 - 1.1.7. DO NOT pull power plugs from sockets by the power cable.
 - 1.1.8. DO NOT use worn or damaged leads, plugs or connections. Immediately replace or have repaired by a qualified Electrician.

Ensure the unit is correctly earthed and wired according to the diagram figure 1 below.

- a) Connect the GREEN/YELLOW earth wire to the earth terminal 'E'.
 - b) Connect the BROWN live wire to live terminal 'L'.
 - c) Connect the BLUE neutral wire to the neutral terminal 'N'.
- After wiring, check there are no bare wires, that all wires have been correctly connected and that the wire restraint is tight.



1.2. GENERAL SAFETY.

- WARNING! Turn off the mains power supply before changing tubes, servicing or performing any maintenance.
- ✓ Maintain the light in good condition (Repairs must only be undertaken by a qualified electrician).
- ✓ Replace or repair damaged parts. Use genuine parts only, non authorised parts may be dangerous and will invalidate the warranty.
- ✓ Ensure the light is installed correctly in accordance with these instructions.
- ✓ Only install the light on a vertical surface. DO NOT fix the light on any horizontal surface i.e. ceiling, or overhang.
- ✓ Light becomes very hot. Installation must be away from flammable or combustible materials such as wood, cloth, paper etc.
- DANGER! DO NOT direct the light into a persons eyes. This unit has a very intensive light output, which if incorrectly used could cause eye damage.**
- x DO NOT install the light where it is likely to be knocked or hit.
- x DO NOT install in bathrooms, shower rooms, sauna or such locations.
- x DO NOT install near an exhaust outlet. i.e. Boiler flue, dryer outlet, etc.

- x DO NOT touch the light when operating, allow to cool before touching, light operates at high temperature.
- x DO NOT handle halogen bulbs as the natural oil from your fingers and hands will shorten the bulb life. Handle only with a soft cloth.
- x DO NOT use the light without the front glass shield. Avoid touching the glass shield as handling may reduce its serviceable life and cause the glass to crack.
- x DO NOT use the light near flammable, combustible or explosive liquids, solids, gases or equipment.

2. INTRODUCTION

Infrared detector unit automatically switches 400Watt tungsten/halogen lamp on when approached by vehicles or persons. Detects movement and heat and is fitted with adjustable sensitivity and light duration controls. Supplied with wall mounting bracket and full operating instructions. Supplied without mains cable and suitable for outdoor mounting.

3. SPECIFICATION

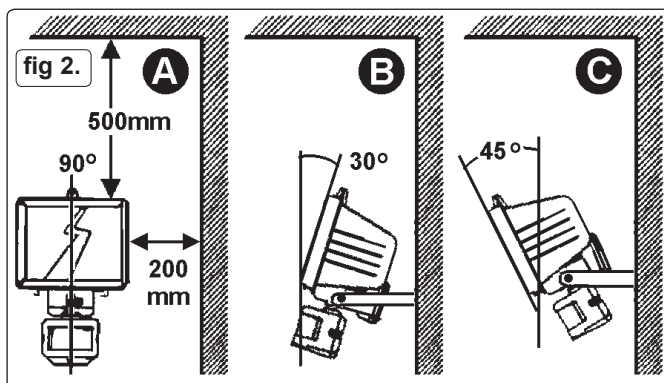
Specifications:

Power:230Volt.
 Bulb:400Watt Tungsten/Halogen tube.
 Detection Angle: 120° (Fan shape).
 Detection Range: 12m (Adjustable).
 Time Delay:6 seconds to 20 minutes (Adjustable).
 Light Sensitivity: 30 Lux (Adjustable).
 Replacement Tube: ML400B.

4. INSTALLATION INSTRUCTIONS

- WARNING! DO NOT connect unit to the mains power supply before installation. When ready, the lamp must only be connected to the mains by a qualified electrician.**

- 4.1. **Fitting**
Give careful consideration to the position of unit to ensure you obtain maximum benefit from the lighting range, and that an appropriate electrical power source can be provided.
- 4.1.1 DO NOT install near an exhaust outlet. i.e. Boiler flue, dryer outlet, etc as variance in temperature will effect the sensitivity of light. The light must be mounted on a vertical surface only i.e. on a wall etc. DO NOT mount on a horizontal surface i.e. ceiling or an overhang, DO NOT mount so that the face of the lamp is pointing upwards, or is facing towards the mounting surface. An approximate appropriate mounting height from the ground is 2.5m.
- 4.1.2 To protect surfaces and objects from the light's heat, fix at following minimum distances between light and any surface/object, (fig 2A). 500mm minimum between the top of the light and any overhead surface, or objects, i.e. ceilings, overhangs. 200mm between sides of light and end or side walls, surface or objects. 2 metres minimum between the front of the light and any object to be illuminated. Fix the light to vertical surface with appropriate fixings. Do not tilt the light back beyond 30° (fig 2B) or forward more than 45° (fig 2C).



4.2. Sensor

The sensor may be angled independently of the light. Mounted at approximately 2.5m above the ground the sensor will have approx 12m range (fig 3) with a 120° spread (fig 4)

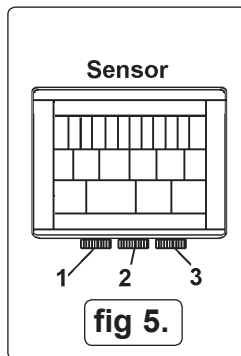
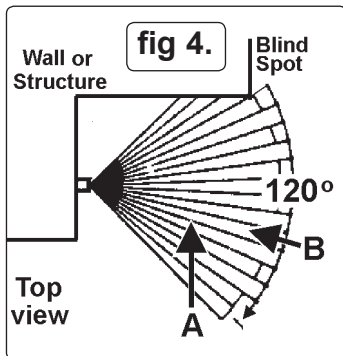
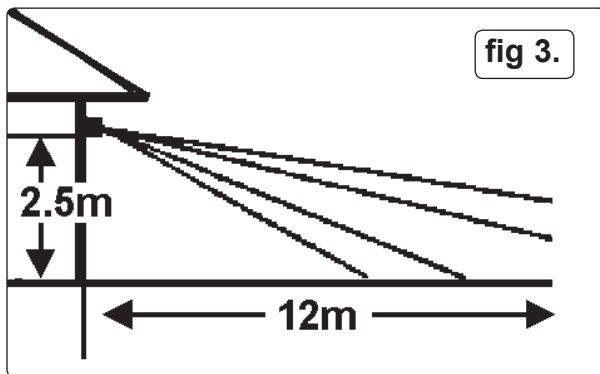
4.2.1 The sensor range can be reduced or optically adapted to local conditions by adjusting the sensor angle accordingly.

4.2.2 Further adjustment may be made by tuning the three switches located on the underside of the sensor as follows: (refer to figure 5).

Switch 1. Sensitivity. The sensor range will vary with temperature and factors such as passing cars, shade from large trees etc. During cold weather the sensor range will be greater than when hot in summer temperatures. For example during hot weather the forward detection range could fall from 12 to 6m and as such the sensor should be checked and adjusted. Note: the sensitivity factor is far greater when an object passes across the detection area (fig 4.A) than when an object approaches towards the detector (B).

Switch 2. Time adjuster: To adjust the amount of time the light will stay on when activated. Minimum is 6 seconds, maximum is 20 minutes.

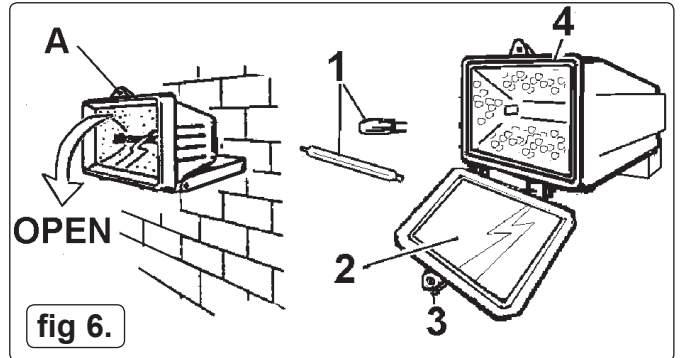
Switch 3. Daylight adjustment: To adjust the sensor to come on in accordance with the diminishing daylight. From 0 to 30 LUX.



❑ **WARNING! Ensure the light is disconnected from the mains power supply before attempting any of the following.**

4.3. BULB CHANGING.

- ❑ **WARNING!** Disconnect the light from the mains power supply and allow the light to cool before attempting to touch the unit. DO NOT touch the new halogen bulb as the natural oil from your fingers will shorten the bulb life. Handle with a dry, clean cloth only.
- 4.3.1. Loosen the screw on the top of the front cover (fig 6.A) and undo, allowing the front cover to open. Check to ensure the screw is retained in the front cover tab (3) by the washer.
- 4.3.2. Remove the old bulb and discard. Hold the new bulb in a clean cloth and insert it accordingly. (Always use the correct rated bulb fig 6.1).
- 4.3.3. Check that the weather seal is correctly located in the light's rim (4) and the washer is on the securing screw and close the front cover. Seal by tightening the securing screw.



4.4. GENERAL

Use only original Sealey parts for repair or replacement of parts. Repairs must only be undertaken by a qualified electrician.

- 4.4.1 Clean the light with a dry, dust-free cloth. DO NOT use solvents, or abrasives to clean the light.
- 4.4.2 Avoid touching the glass shield (fig 6.2) as handling may reduce its serviceable life and cause the glass to crack. If necessary clean the shield (when cold) with alcohol and a soft cloth. If the glass is damaged, replace it immediately. Use genuine Sealey replacement glass DO NOT use other glass, and DO NOT use the light without the glass shield.
- 4.4.3 Although weather proof the light must not be stored wet. Should the unit become wet, unplug from mains, wipe dry and store accordingly. DO NOT use the light without the weather seals intact.

Parts support is available for this product. To obtain a parts listing and/or diagram, please log on to www.sealey.co.uk, email sales@sealey.co.uk or phone 01284 757500.

ENVIRONMENTAL PROTECTION.



Recycle unwanted materials instead of disposing of them as waste. All tools, accessories and packaging should be sorted, taken to a recycle centre and disposed of in a manner which is compatible with the environment. When the product is no longer required, it must be disposed of in an environmentally protective way.



NOTE: It is our policy to continually improve products and as such we reserve the right to alter data, specifications and component parts without prior notice.

IMPORTANT: No liability is accepted for incorrect use of this product.

WARRANTY: Guarantee is 12 months from purchase date, proof of which will be required for any claim.

INFORMATION: For a copy of our latest catalogue and promotions call us on 01284 757525 and leave your full name and address, including postcode.



Sole UK Distributor, Sealey Group,
Kempson Way, Suffolk Business Park,
Bury St. Edmunds, Suffolk,
IP32 7AR

01284 757500

www.sealey.co.uk

01284 703534

sales@sealey.co.uk



EC DECLARATION OF CONFORMITY

We the sole importers into the UK, hereby declare that the equipment described below

Description and Function:.....Tungsten/Halogen Floodlight with Wall Bracket & PIR Sensor 500W/230V.....

Model/Type:.....MD520C.V2.....

Manufacturing Date / Serial number (optional).....

Manufacturer's authorised representative within the EC: **Jack Sealey Ltd. Kempson Way, Suffolk Business Park, Bury St. Edmunds, Suffolk, IP32 7AR**

Conforms to the requirements of the following Directives, as indicated.

- 2006/42/EC Machinery Directive
- 2000/14/EC Outdoor Noise Emissions Directive
- 2006/95/EC Low Voltage Directive
- 2002/96/EC WEEE Directive
- 2004/108/EC EMC Directive
- 2002/95/EC RoHS Directive
- 93/68/EEC CE Marking Directive
- 97/23/EC Pressure Equipment Directive

And the following harmonised standard(s): **BS EN 60598 part 1: 2008** **BS EN 60598 part 2-5: 1998**.....

BS EN 55015: 2006 = A1: 2009 **BS EN 61000 part 6-3: 2007**.....

Additional technical standards and specifications (if applicable):.....

Technical file compiled by: **Jack Sealey Ltd.**

Signed:.....
Steve Buckle

Date:.....13-Dec-2010.....

Place: Bury St.Edmunds.

Name:.....Steve Buckle.....

Position:.....Marketing Director.....

Being the responsible person appointed by the manufacturer.

