

Thank you for purchasing a Sealey product. Manufactured to a high standard this product will, if used according to these instructions and properly maintained, give you years of trouble free performance.



IMPORTANT: PLEASE READ THESE INSTRUCTIONS CAREFULLY. NOTE THE SAFE OPERATIONAL REQUIREMENTS, WARNINGS & CAUTIONS. USE THE PRODUCT CORRECTLY AND WITH CARE FOR THE PURPOSE FOR WHICH IT IS INTENDED. FAILURE TO DO SO MAY CAUSE DAMAGE AND/OR PERSONAL INJURY AND WILL INVALIDATE THE WARRANTY. PLEASE KEEP INSTRUCTIONS SAFE FOR FUTURE USE.

1. SAFETY

1.1. GENERAL

- WARNING!** Disconnect lamp from mains power before performing any maintenance.
- DO NOT** shine lamp directly into your, other person's or animal's eyes.
- DO NOT** allow children to use the lamp.
- Maintain the lamp in good condition.
- DO NOT** use the lamp if the lamp is damaged.
- When not in use store the light in a safe, dry, childproof location.
- WARNING!** Ensure Health and Safety, local authority and general workshop practice regulations are adhered to when using this light.
- Wear eye protection. A full range of safety equipment is available from your Sealey dealer.
- Wear suitable clothing to avoid snagging.
- DO NOT** wear jewellery and tie back long hair.
- Account for all tools being used and **DO NOT** leave them in or near the engine.

1.2. ELECTRICAL SAFETY FOR USE OF TRANSFORMER. USE ONLY THE SUPPLIED TRANSFORMER PLUG FOR CONNECTING LAMP TO THE POWER SUPPLY.

- WARNING!** It is the user's responsibility to read, understand and comply with the following electrical instructions: You must ensure the risk of electric shock is minimised by the installation of appropriate safety devices. An RCCB (Residual Current Circuit Breaker) should be incorporated in the main distribution board. We also recommend that an RCD (Residual Current Device) is used with all electrical products, particularly portable equipment which is plugged into an electrical supply not protected by an RCCB.

You must also read and understand the following instructions concerning electrical safety.

- 1.2.1. **The Electricity At Work Act 1989** requires all portable electrical appliances, if used on business premises, to be tested by a qualified electrician, using a Portable Appliance Tester (PAT), at least once a year.

- WARNING:** The warnings, cautions and instructions discussed in this instruction manual cannot cover all possible conditions and situations that may occur. It must be understood that common sense and caution are factors which must be applied by the operator.

- 1.2.2. **The Health & Safety at Work Act 1974** makes owners of electrical appliances responsible for the safe condition of the appliance and the safety of the appliance operator. **If in any doubt about electrical safety, contact a qualified electrician.**

1.2.3. You must ensure that you:

- Inspect the transformer plug, cable and connector for wear and damage to ensure items are safe before connecting to the mains power supply. If worn or damaged **DO NOT** use. Important: Check that the voltage marked on the transformer plug is the same as the power supply to be used.
- Uncoil the cable between transformer plug and lamp.
- DO NOT** pull the transformer plug from the mains socket by the lead.
- DO NOT** use any other type of transformer with this product.
- DO NOT** try to take the transformer plug apart.
- DO NOT** use the transformer plug to power any other electrical item.
- DO NOT** get the transformer plug wet, or use in wet, damp conditions (for indoor use only).
- WARNING! NEVER** substitute a standard 13amp 3 pin plug, or any other type of plug, for the transformer plug. This transformer plug reduces and rectifies the mains voltage (230 volts AC) to **12 volts DC**.



2. INTRODUCTION

High output lighting with even spread of light. Low power consumption saving money on energy costs. Manufactured to Low Voltage Directive 72/73/EEC. Supplied with 5mtr cable and BS approved plug. Ideal for the professional garage/workshop user.

Specification:

Model No:ML13230V.V2
Voltage:230V
Power: 11W
Cable Length: 5mtr
Fitted Plug: Yes
Overall Length: 410mm

3. OPERATION INSTRUCTIONS

- 3.1 To use the lamp, plug the transformer plug into the mains socket to turn the light on.
- 3.2 When finished, disconnect the transformer plug from the mains supply, fold the lamp and store it in a safe, dry and childproof location.

4. MAINTENANCE

WARNING! Be sure to disconnect the lamp from the power supply before carrying out any maintenance.

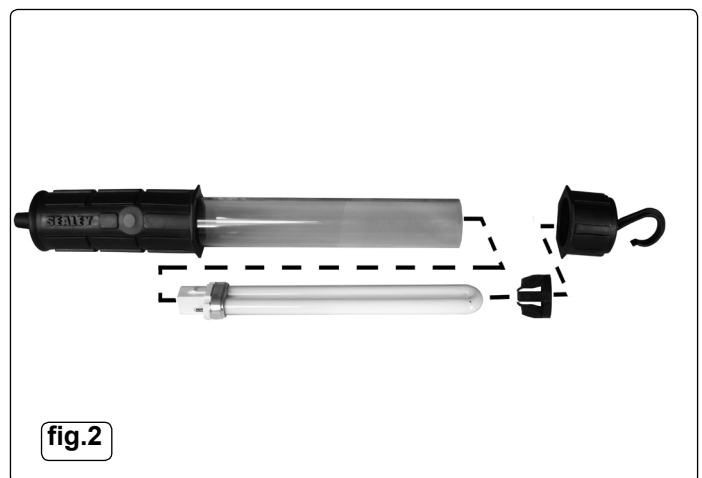
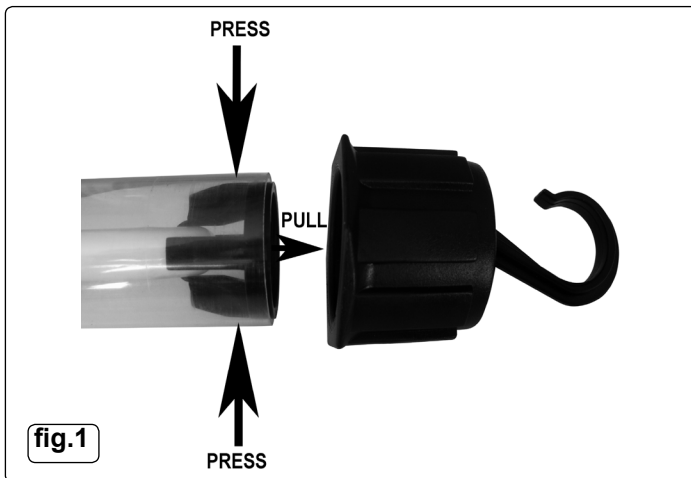
4.1 GENERAL MAINTENANCE

- 4.1.1 Keep the lamp clean.
- 4.1.2 Check cable for any signs of wear. If the cable is worn/broken, remove the lamp from service immediately and have it repaired by a qualified electrician.

4.2 REPLACING NEON TUBE (Refer to fig.1 & fig.2)

NOTE: Use only Sealey replacement neon tubes, Part No: ML1112CB.

- 4.2.1 Disconnect from the power supply.
- 4.2.2 Remove end cap from the outer plastic tube.
- 4.2.3 Squeeze the outer plastic tube at the area of the lugs on the tube retaining clip, allowing the clip to clamp the top of the tube. Grip the inside of the clip with a pair of long nose pliers (not supplied) and extract the clip and tube.
NOTE: Use caution when handling a tube and dispose of in accordance with local authority guidelines.
- 4.2.4 Attach the tube retaining clip to the top of the replacement tube.
- 4.2.5 Place the replacement tube into the outer plastic tube and locate the fittings with the socket in the lamp base.
- 4.2.6 Firmly press the tube into the lamp base ensuring that the tube retaining clip is correctly located within the outer plastic tube.
- 4.2.7 Re-fit the end cap.



Parts support is available for this product. To obtain a listing and/or diagram, please log on to: www.sealey.co.uk, email: sales@sealey.co.uk or phone: 01284 757500



Environmental Protection.

Recycle unwanted materials instead of disposing of them as waste. All tools, accessories and packaging should be sorted, taken to a recycle centre and disposed of in a manner which is compatible with the environment.



WEEE Regulations.

Dispose of this product at the end of its working life in compliance with the EU Directive on Waste Electrical and Electronic Equipment. When the product is no longer required, it must be disposed of in an environmentally protective way. Contact your local solid waste authority for recycling information.

NOTE: It is our policy to continually improve products and as such we reserve the right to alter data, specifications and component parts without prior notice.

IMPORTANT: No liability is accepted for incorrect use of this product.

WARRANTY: Guarantee is 12 months from purchase date, proof of which will be required for any claim.

INFORMATION: For a copy of our latest catalogue and promotions call us on 01284 757525 and leave your full name and address, including postcode.



Sole UK Distributor, Sealey Group,
Kempson Way, Suffolk Business Park,
Bury St. Edmunds, Suffolk,
IP32 7AR

01284 757500

www.sealey.co.uk

01284 703534

sales@sealey.co.uk