

Thank you for purchasing a Sealey product. Manufactured to a high standard this product will, if used according to these instructions and properly maintained, give you years of trouble free performance.

**IMPORTANT: PLEASE READ THESE INSTRUCTIONS CAREFULLY. NOTE THE SAFE OPERATIONAL REQUIREMENTS, WARNINGS & CAUTIONS. USE THE PRODUCT CORRECTLY AND WITH CARE FOR THE PURPOSE FOR WHICH IT IS INTENDED. FAILURE TO DO SO MAY CAUSE DAMAGE AND/OR PERSONAL INJURY AND WILL INVALIDATE THE WARRANTY. PLEASE KEEP INSTRUCTIONS SAFE FOR FUTURE USE.**

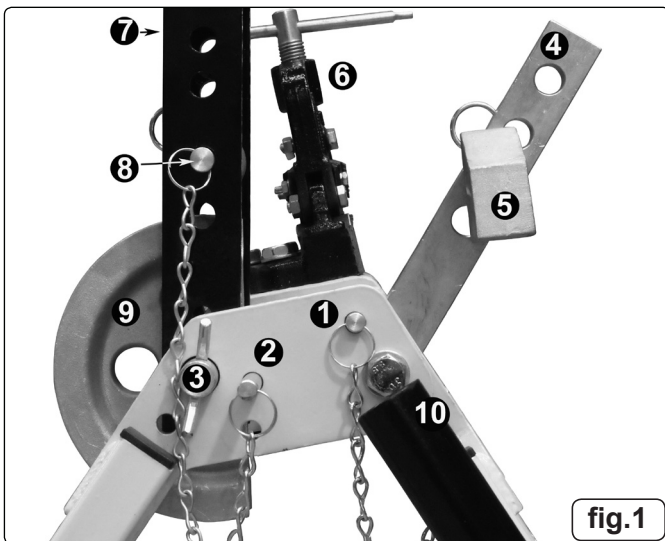
### 1. SAFETY INSTRUCTIONS

- ✓ Ensure the conduit bender is in sound condition and good working order. Take action for immediate repair or replacement of damaged parts. *Use recommended parts only. The use of improper parts may be dangerous and will invalidate the warranty.*
- ✓ Keep bender and associated parts clean for best and safest performance.
- ✓ Locate the conduit bender in a suitable, well lit work area.
- ✓ Keep work area clean and tidy and free from unrelated materials.
- ✓ Use on level and solid ground, preferably concrete.
- ✓ Ensure all non-essential persons keep a safe distance whilst the conduit bender is in use.
- ✓ Maintain correct balance and footing. Ensure the floor is not slippery and wear non slip shoes.
- ✓ Remove ill fitting clothing. Remove ties, watches, rings and other loose jewellery and contain and/or tie back long hair.
- ✓ Wear appropriate safety clothing including gloves and eye protection.
- ✓ Keep hands away from moving parts when bending conduit.
- ▲ **Caution!** Cut conduit edges may be sharp, take care when handling any cut steelwork.
- x **DO NOT** operate the conduit bender if damaged.
- x **DO NOT** allow untrained persons to operate the conduit bender.
- x **DO NOT** operate the conduit bender when you are tired, under the influence of alcohol, drugs or intoxicating medication.
- x **DO NOT** use the conduit bender for purposes other than that for which it is intended.
- ✓ Store conduit bender in a safe, dry, childproof location.
- ✓ Anchor the conduit bender to the floor or use assistance to prevent the conduit bender from lifting during use.

### 2. INTRODUCTION & SPECIFICATION

Professional folding A-frame conduit bender with vice. Suitable for galvanised and black enamel conduit. Supplied with three machine cast formers 20, 25 and 32mm which will bend conduit in accordance with BS4568 up to a maximum length of 1100mm. The vice aids cutting lengths and threading.

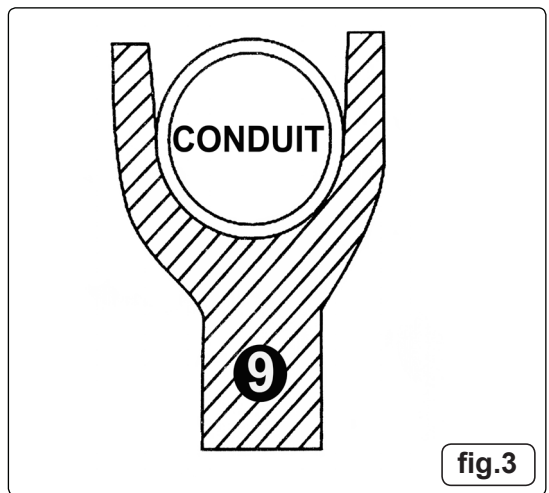
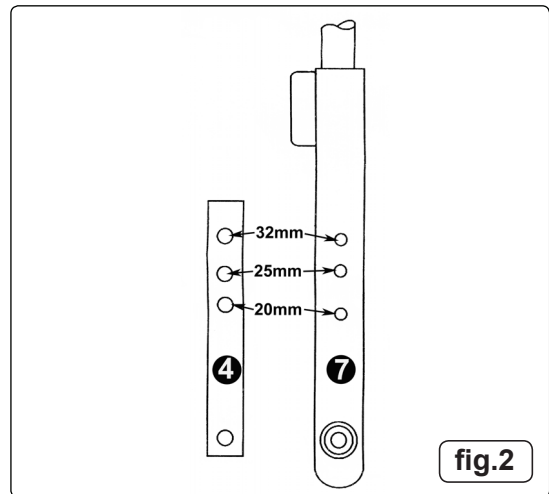
<b>MODEL:</b> .....	<b>PCB32</b>
Extended (WxDxH): .....	530x1180x1065mm
Folded (WxDxH): .....	530x380x1200mm
Former sizes: .....	20mm
.....	25mm
.....	32mm



- |        |                              |         |                          |
|--------|------------------------------|---------|--------------------------|
| 1..... | Leg retaining pin.           | 6.....  | Vice.                    |
| 2..... | Bending lever retaining pin. | 7.....  | Bending lever.           |
| 3..... | Centre pin.                  | 8.....  | Roller pin.              |
| 4..... | Stop bar.                    | 9.....  | Former.                  |
| 5..... | Stop piece.                  | 10..... | Bending lever extension. |

### 3. ASSEMBLY

- **WARNING! Ensure that you have read and understood Section 1 Safety Instructions before operating the conduit bender.**
- **WARNING! When the conduit bender is packed in its box it is heavy and may require 2 people to move it.**
- 3.1 Remove the conduit bender from the box and check all parts are present. Refer to fig.1.
- 3.2 Remove the leg retaining pin (1) and open the conduit bender to its fullest extent. Re-insert the leg retaining pin (1) to lock the leg into position.
- 3.3 The vice (6) is secured beneath the platform for transit purposes. Remove the 3 retaining bolts and remove the vice (6). Place it on top of the platform and bolt into position.
- 3.4 Remove the bending lever retaining pin (2). Fit the grooved roller and pin (8) in the appropriate position on the bending lever (7) (fig.2). Secure the roller pin (8) in place with the R-clip.
- 3.5 Select the size of former (9) required (fig.2) according to the diameter of conduit to be bent. Withdraw the centre pin (3), insert the former (9) and replace the centre pin (3).
- 3.6 Raise the bending lever (7) to the upright position and lock in place with the retaining pin (2). Attach the bending lever extension (10).
- 3.7 Swing the stop bar (4) to the upright position and insert the stop piece (5) into the appropriate hole required and secure with the R-clip. The conduit bender is now ready for use.



## 4. OPERATION

### 4.1 Bending steel conduit.

- 4.1.1 Pass the conduit through the gap between the stop piece (5) and the former (9) and bed it into the groove (fig.3).
- 4.1.2 Check that the free end of the conduit will not foul on the ground when the bend is complete. The maximum length is 1100mm.
- 4.1.3 Attach the bending lever extension (10) to the bending lever. Withdraw the bending lever retaining pin (2) and pull the bending lever (7) down until the required bend is achieved.
- 4.1.4 If the free end is too long to enable the required bend, remove the conduit, release the bending lever (7) and swing it downwards. Swing the stop bar (4) downwards.
- 4.1.5 Load the conduit into the conduit bender as in 4.1.1. Pull the bending lever (7) **upwards** until the required bend is achieved. Steady the conduit puller by placing a foot on the cross member when using this method.

### 4.2 Bending to outside measurements.

**Note! The formers are produced to the exact depth and diameter of the tube (fig.3) to facilitate bending to given measurements.**

- 4.2.1 Measure from the end of the conduit to the distance required and mark accordingly.
- 4.2.2 Insert the measured part of the conduit into the conduit bender so that it rests against the stop piece (5) and beds into the groove of the former (9).
- 4.2.3 Place a square or a rule against the mark on the conduit and slide the conduit along until the square touches the outside edge of the former (9) (fig.4.A). The conduit is now in the correct position for bending.

**Note! Before commencing the bend ensure that the conduit is bedded firmly into the groove in the former (9) otherwise the bend will be inaccurate.**

### 4.3 Bending to inside measurements.

- 4.3.1 Measure from the end of the conduit to the distance required and mark accordingly.
- 4.3.2 Insert the measured part of the conduit into the conduit bender so that it rests against the stop piece (5) and beds into the groove of the former (9).
- 4.3.3 Place a square or a rule against the mark on the conduit and slide the conduit along until the square touches the inside edge of the former (9) (fig.4.B). The conduit is now in the correct position for bending.

### 4.4 Measuring from a bend.

**Note! Use the method explained above to make a bend at a given distance from another bend whether in the same or a different plane.**

- 4.4.1 If the required measurement is from the outside to the outside of the bends, mark off from the outside of the first bend and square up with the outside (fig.4.A) of the former (9). If the measurement is from the outside to the inside of the bends (centre to centre) square up with the inside of the former (fig 4.B).

### 4.5 Making offsets.

- 4.5.1 Make the first bend to the required angle. As a guide this should be 45° for offsets measuring 100mm or more and progressively less as the offset decreases.
- 4.5.2 Place the bend in the machine as shown in fig.5. Place a straight edge against the outer edge of the former (9) and parallel to the bend. Adjust the conduit in the machine until the required measurement is obtained.  
**Note! The offset will increase as the conduit is pushed to the right and decrease as the conduit is pushed to the left.**
- 4.5.3 When the conduit is set correctly ensure that it is firmly bedded into the groove of the former. Bend in the normal way until the bends are parallel with each other.

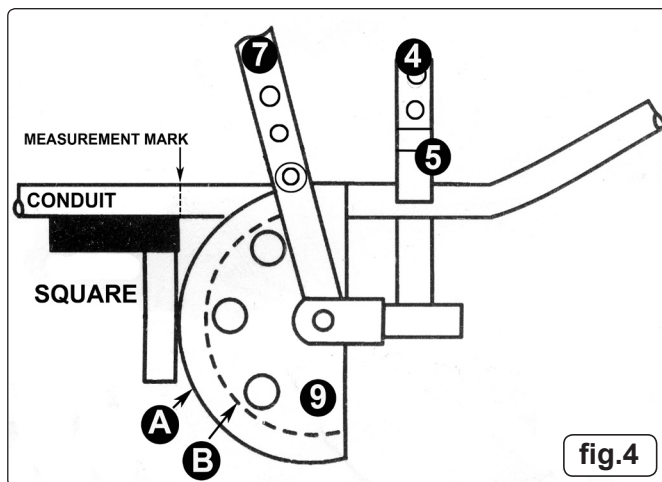


fig.4

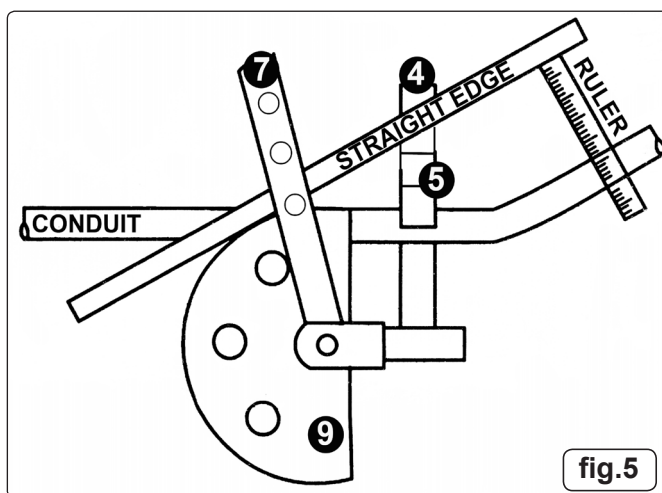


fig.5

## 5. MAINTENANCE

- 5.1 Check for damage and missing parts before use.
- 5.2 Regularly oil all moving parts.
- 5.3 After use store in a safe, dry, childproof location.

Parts support is available for this product. To obtain a parts listing and/or diagram, please log on to [www.sealey.co.uk](http://www.sealey.co.uk), email [sales@sealey.co.uk](mailto:sales@sealey.co.uk) or phone 01284 757500.

**NOTE:** It is our policy to continually improve products and as such we reserve the right to alter data, specifications and component parts without prior notice.

**IMPORTANT:** No liability is accepted for incorrect use of this product.

**WARRANTY:** Guarantee is 12 months from purchase date, proof of which will be required for any claim.

**INFORMATION:** For a copy of our catalogue and latest promotions call us on 01284 757525 and leave your full name, address and postcode.



Sole UK Distributor  
Sealey Group,  
Bury St. Edmunds, Suffolk.

01284 757500  
01284 703534

[www.sealey.co.uk](http://www.sealey.co.uk)  
[sales@sealey.co.uk](mailto:sales@sealey.co.uk)