



INSTRUCTIONS FOR:

LONG STROKE AIR HAMMER

MODEL No: **SA11.V3**

Thank you for purchasing a Sealey product. Manufactured to a high standard this product will, if used according to these instructions and properly maintained, give you years of trouble free performance.



Refer to Instructions



Wear Eye Protection



Wear Ear Protection



Wear Protective Gloves

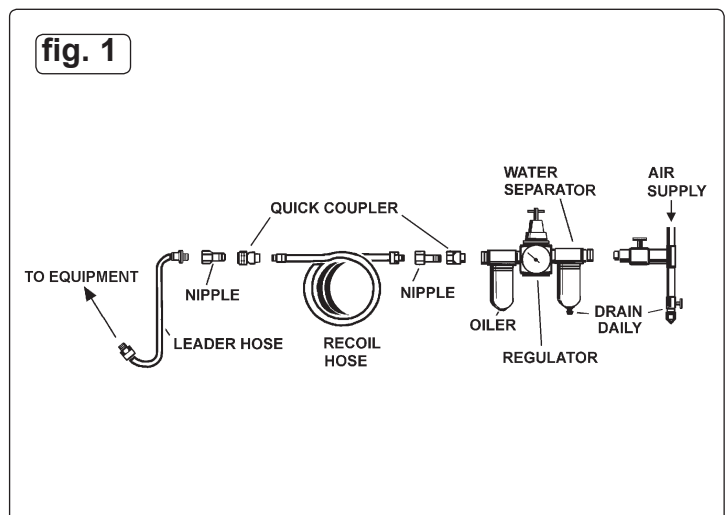
1. SAFETY

- ❑ **WARNING!** Ensure Health & Safety, local authority and general workshop practice regulations are adhered to when using this equipment.
- ❑ **WARNING!** Disconnect the hammer from the air supply before changing accessories, servicing or performing any maintenance.
- ✓ Keep the hammer clean and maintain it in good condition (use an authorised service agent).
- ✓ Replace or repair damaged parts. Use *genuine parts only*. *Unauthorised parts may be dangerous and will invalidate the warranty.*
- ✓ Keep the work area clean and uncluttered. Ensure that there is adequate lighting.
- ✓ Ensure chisels are correctly rated for the job. **DO NOT** use damaged or suspect chisels.
- ❑ **WARNING!** Wear approved safety eye or face protection, ear defenders and, if dust is generated, respiratory protection.
- ✓ Keep hands and body clear of the work when operating the hammer.
- ✓ Maintain correct balance and footing. Ensure that the floor is not slippery and wear non-slip shoes.
- ✓ Remove ill fitting clothing. Remove ties, watches, rings and other loose jewellery and contain and/or tie back long hair.
- ✓ Keep children and unauthorised persons away from the work area.
- ✓ Check moving parts alignment on a regular basis.
- ✓ Secure unstable workpiece with a clamp, vice or other adequate holding device.
- ✓ Avoid unintentional starting.
- ❑ **WARNING!** Ensure that the correct air pressure is maintained and not exceeded.
- ✓ Keep air hose away from heat, oil and sharp edges. Check air hose for wear before each use and ensure that all connections are secure.
- ✗ **DO NOT** use the hammer for a task it is not designed to perform.
- ✗ **DO NOT** operate the hammer if any parts are damaged or missing as this may cause failure and/or personal injury.
- ❑ **WARNING! DO NOT** chisel into any materials containing asbestos.
- ✗ **DO NOT** switch the hammer on whilst the chisel is in contact with the workpiece.
- ✗ **DO NOT** carry the by the hose, or pull the hose from the air supply.
- ✗ **DO NOT** hold the workpiece by hand. Use clamps or a vice (not included) to secure the workpiece. Available from your Sealey dealer.
- ✗ **DO NOT** allow untrained persons to operate the hammer.
- ✗ **DO NOT** operate the hammer when you are tired or under the influence of alcohol, drugs or intoxicating medication.
- ✗ **DO NOT** use hammer where there is flammable liquid, solid or gas such as paint solvent, including waste wiping or cleaning rags etc.
- ✗ **DO NOT** leave the hammer operating unattended.
- ✗ **DO NOT** carry the hammer with your finger on the trigger.
- ✗ **DO NOT** direct air from the air hose at yourself or others.
- ✓ When work is complete ensure that the air supply is turned off.
- ✓ When not in use disconnect from the air supply and store in a safe, dry, childproof area.



2. AIR SUPPLY

- The recommended hook-up is shown in fig. 1.
- 2.1. Ensure the trigger is in the "off" position before connecting to the air supply.
 - 2.2. You will require an air pressure of 90psi and an available air flow of 4cfm to operate the unit.
 - 2.3. ❑ **WARNING!** Ensure the air supply does not exceed 120psi while operating the hammer. Too high an air pressure and/or unclean air will shorten the product life due to excessive wear and may be dangerous, causing damage and/or personal injury.
 - 2.4. Drain the air tank daily. Water in the air line will damage the hammer.
 - 2.5. Clean the air inlet filter screen weekly.
 - 2.6. Line pressure should be increased to compensate for unusually long air hoses (over 8 metres). The minimum hose diameter should be 10mm I.D. and fittings must have the same inside dimensions.
 - 2.7. Keep hose away from heat, oil and sharp edges. Check hoses for wear, and make certain that all connections are secure.



3. INTRODUCTION

GS/TUV approved quality long stroke air hammer supplied in carry case. Kit also includes spare retainer spring, long blade panel cutter, special panel cutter, panel cutter, exhaust tail pipe remover, cold chisel, air hose connector and air tool lubricating oil.

4. SPECIFICATION

Chisel Shank 0.401" Parker Taper
 Speed 3500bpm
 Stroke 66mm

Operating Pressure 90psi
 Air Consumption 4cfm
 Air Inlet 1/4" BSP

Weight 1.5kg
 Noise Power 112.49dB(A)
 Noise Pressure 101.5dB(A)
 Vibration 11.36m/s²
 Uncertainty 0.9816m/s²

5. OPERATION

Note: Numbers in brackets refer to item numbers in the parts list.

The air hammer is designed primarily for use on vehicle bodywork. We do not recommend any other use. Ensure you read, understand and follow the safety instructions in Section 1.

- 5.1. Attach the retaining spring (17) by screwing it onto the Cylinder (16).
- 5.2. Insert the chisel using the hooked end of the spring to hold the chisel in place.
- 5.3. Attached the tool to the air supply (see Section 2).
- 5.4. To operate the hammer, squeeze the trigger (6). The air regulator (5) may be used as a means of throttle control.

6. MAINTENANCE

WARNING! Disconnect the hammer from the air supply before changing chisels, servicing or performing any maintenance.

- 6.1. Keep the hammer oiled for optimum performance.
 Lubricate with a good grade of air tool oil such as Sealey ATO/500 or ATO/1000. If there is no oiler in the air system then a teaspoon of oil can be poured into the air inlet of the hammer, or into the hose at the nearest connection to the air supply. Then run the hammer for a short time.

Note: The following external factors may cause loss of power and effect hammer performance:

The air supply

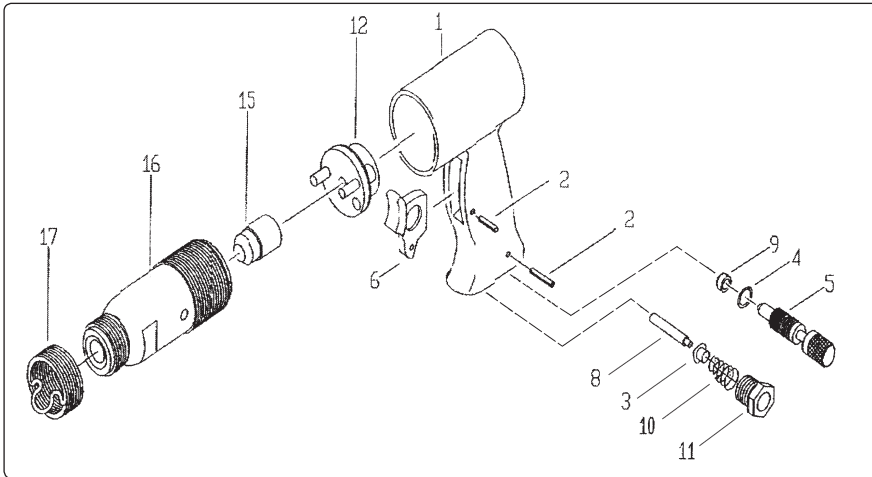
Reduced compressor output, excessive drain on the air line, moisture or restrictions in air pipes or the use of hose connectors having too small a bore. Correct as necessary.

The hammer

Grit or gum deposits in the tool. Correct by cleaning the air strainer and flushing out the tool with gum solvent oil or an equal mixture of SAE No.10 oil and kerosene.

If, despite taking action as above, the tool function is still impaired, contact your local Sealey service agent.

7. PARTS LIST



Item	Part No.	Description
1	SA11R/01	Housing
2	SA11R/02	Pin
3	SA11R/03	Ball Seat
4	SA11R/04	O-ring
5	SA11R/05	Air Regulator
6	SA11R/06	Trigger
8	SA11R/08	Valve Stem
9	SA11R/09	Bushing
10	SA11R/10	Spring
11	SA11R/11	Air Inlet
12	SA11R/12	Valve Case
15	SA11R/15	Piston
16	SA11R/16	Cylinder
17	SA11R/17	Spring

Environmental Protection



Recycle unwanted materials instead of disposing of them as waste. All tools, accessories and packaging should be sorted, taken to a recycling centre and disposed of in a manner which is compatible with the environment. When the product becomes completely unserviceable dispose of it according to local regulations.

NOTE: It is our policy to continually improve products and as such we reserve the right to alter data, specifications and component parts without prior notice.

IMPORTANT: No liability is accepted for incorrect use of this product.

WARRANTY: Guarantee is 12 months from purchase date, proof of which will be required for any claim. .



Sole UK Distributor, Sealey Group,
 Kempson Way, Suffolk Business Park,
 Bury St. Edmunds, Suffolk,
 IP32 7AR



01284 757500



01284 703534



www.sealey.co.uk



sales@sealey.co.uk

WARNING! – Risk of Hand Arm Vibration Injury.

This tool may cause Hand Arm Vibration Syndrome if its use is not managed adequately.

This tool is subject to the vibration testing section of the Machinery Directive 2006/42/EC.

This tool is to be operated in accordance with these instructions.

Measured vibration emission value (a): 11.36m/s²

Uncertainty value (k):. 0.98m/s²

Please note that the application of the tool to a sole specialist task may produce a different average vibration emission. We recommend that a specific evaluation of the vibration emission is conducted prior to commencing with a specialist task.

A health and safety assessment by the user (or employer) will need to be carried out to determine the suitable duration of use for each tool.

NB: Stated Vibration Emission values are type-test values and are intended to be typical.

Whilst in use, the actual value will vary considerably from and depend on many factors.

Such factors include; the operator, the task and the inserted tool or consumable.

NB: ensure that the length of leader hoses is sufficient to allow unrestricted use, as this also helps to reduce vibration.

The state of maintenance of the tool itself is also an important factor, a poorly maintained tool will also increase the risk of Hand Arm Vibration Syndrome.

Health surveillance.

We recommend a programme of health surveillance to detect early symptoms of vibration injury so that management procedures can be modified accordingly.

Personal protective equipment.

We are not aware of any personal protective equipment (PPE) that provides protection against vibration injury that may result from the uncontrolled use of this tool. We recommend a sufficient supply of clothing (including gloves) to enable the operator to remain warm and dry and maintain good blood circulation in fingers etc. Please note that the most effective protection is prevention, please refer to the Correct Use and Maintenance section in these instructions. Guidance relating to the management of hand arm vibration can be found on the HSE website www.hse.gov.uk - Hand-Arm Vibration at Work.