



INSTRUCTIONS FOR: AIR BELT SANDER 20_{MM}

MODEL NO: **SA354**

Thank you for purchasing a Sealey product. Manufactured to a high standard, this product will, if used according to these instructions, and properly maintained, give you years of trouble free performance.

IMPORTANT: PLEASE READ THESE INSTRUCTIONS CAREFULLY. NOTE THE SAFE OPERATIONAL REQUIREMENTS, WARNINGS & CAUTIONS. USE THE PRODUCT CORRECTLY AND WITH CARE FOR THE PURPOSE FOR WHICH IT IS INTENDED. FAILURE TO DO SO MAY CAUSE DAMAGE AND/OR PERSONAL INJURY AND WILL INVALIDATE THE WARRANTY. KEEP THESE INSTRUCTIONS SAFE FOR FUTURE USE.



Refer to the instruction manual



Wear ear protection



Wear eye protection



Wear protective gloves



Wear a mask

1. SAFETY

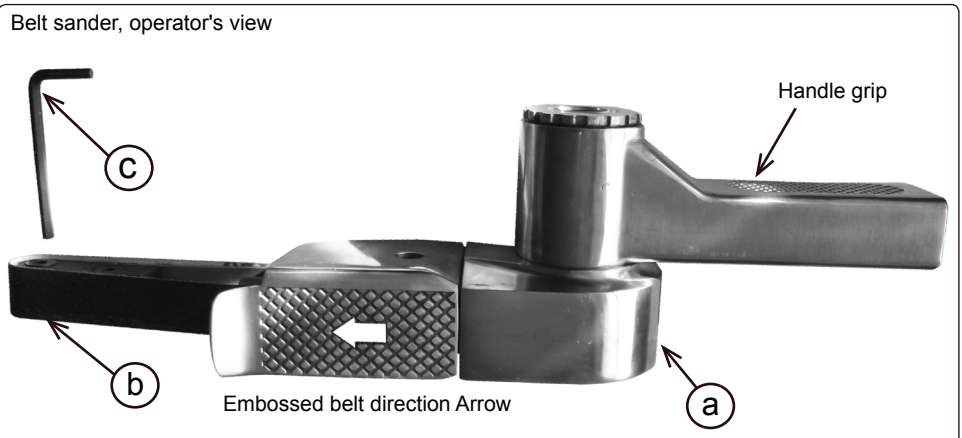
- WARNING!** Ensure Health & Safety, local authority and general workshop practice regulations are adhered to when using this equipment.
- WARNING!** Disconnect from the air supply before changing the belt, servicing or performing maintenance.
- WARNING!** Always wear approved eye or face, ear and hand protection when operating the sander. Always wear a mask.
- WARNING!** Ensure correct air pressure is maintained and not exceeded. Recommended air line pressure is 90psi.
- Remove ill fitting clothing. Remove ties, loose jewellery and contain and/or tie back long hair.
- Wear appropriate protective clothing and keep hands and body clear of working parts.
- Maintain correct balance and footing. Ensure the floor is not slippery and wear non-slip shoes.
- Maintain the tool in good condition (use an authorised service agent).
- Replace damaged parts. Use genuine parts only. Unauthorised parts may be dangerous and will invalidate the warranty.
- Use in a suitable clean and tidy work area, free from unrelated materials. Ensure that there is adequate lighting and ventilation.
- Keep children and unauthorised persons away from the work area.
- Before each use, check the abrasive belt for condition. Replace immediately if damaged or badly worn.
- Check moving parts for alignment on a regular basis.
- Ensure workpiece is secure before operating the sander. Never hold a workpiece in the hand. Use a vice or clamps.
- Keep the air hose away from heat, oil and sharp edges. Check air hose for wear before each use and ensure that all connections are secure.
- Prolonged exposure to vibration from this tool poses a health risk. It is the employer's/owner's responsibility to correctly assess the hazard and issue guidelines for safe periods of use and offer suitable protective equipment.
- Read the warning of working with lead based paints on page 4.
- DO NOT** use any power source except an air compressor.
- DO NOT** operate the sander unless you have been instructed in its use by a qualified person.
- DO NOT** operate the tool near any inflammable substance or on any container that has held an inflammable substance.
- DO NOT** use the tool for a task it is not designed to perform.
- DO NOT** operate the tool if any parts are damaged or missing as this may cause failure and/or personal injury.
- DO NOT** carry the tool by the hose.
- WARNING!** The warnings, cautions and instructions in this manual cannot cover all possible conditions and situations that may occur. It must be understood by the operator that common sense and caution are factors which cannot be built into this product, but must be applied by the operator.

2. INTRODUCTION

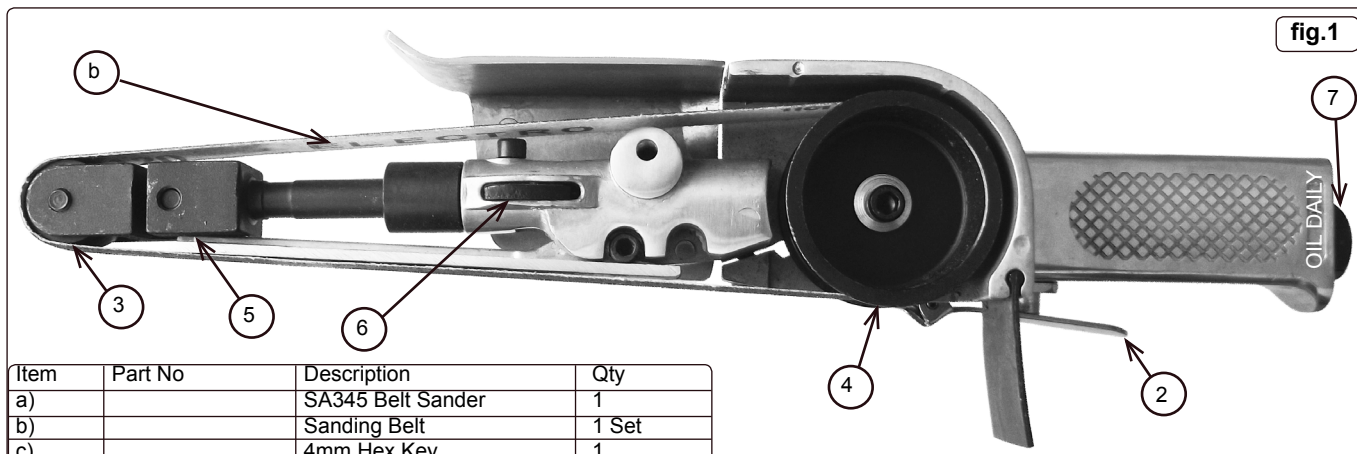
Articulated sanding arm with spring loading for easy belt changes. Features belt tracking control, heavy-duty nose roller and one-handed trigger operation. Handle exhaust helps reduce noise level. Suitable for sanding otherwise inaccessible areas and extra width of belt makes tool suitable for welding work too. Replacement belts readily available.

3. SPECIFICATION

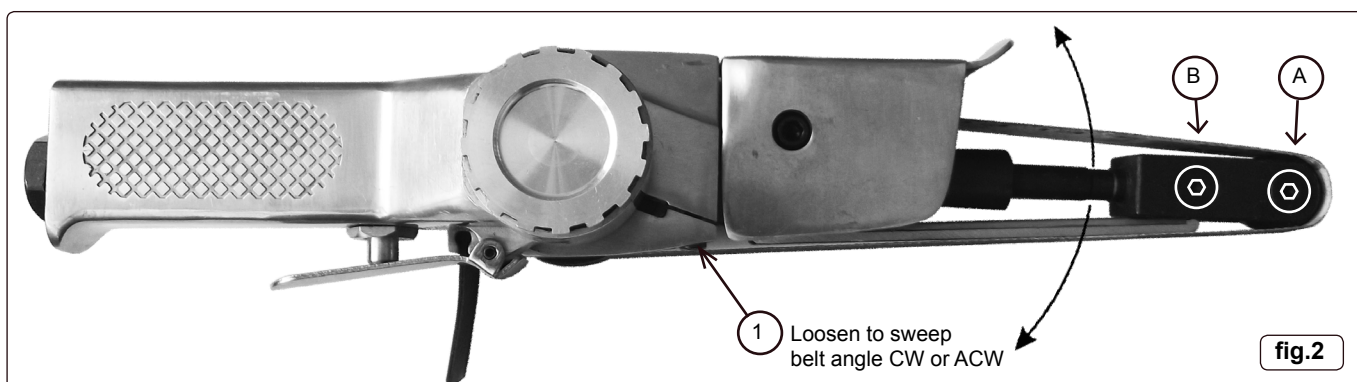
Model No: **SA354**
 Belt Size: 20 x 520mm
 Air Consumption: 15cfm
 Operating Pressure: 90psi
 Noise Power: 101dBA
 Noise Pressure: 90dBA
 Vibration: 4.53m/s²
 Uncertainty: 2.32m/s²
 Air Inlet Size: 1/4" BSP
 Weight: 1.4kg



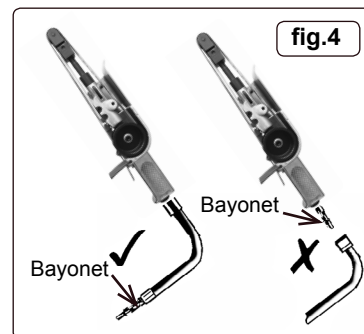
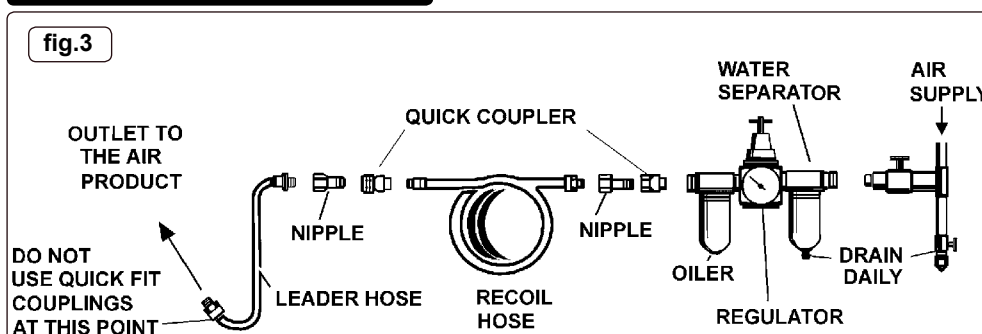
4. CONTENTS



Item	Part No	Description	Qty
a)		SA345 Belt Sander	1
b)		Sanding Belt	1 Set
c)		4mm Hex Key	1



5. OPERATION



5.1. Air Supply

Recommended hook-up procedure is shown in fig.3.

5.1.1. Ensure Air sander trigger is in the "off" position (fig.1) before connecting to the air supply.

5.1.2. You will require an air pressure of 90psi, and an air flow according to specification.

WARNING! Ensure the air supply is clean and does not exceed 90psi while operating the tool. Too high an air pressure and unclean air will shorten the product life due to excessive wear, and may be dangerous causing damage and/or personal injury.

5.1.3. Drain the air tank daily. Water in the air line will damage the tool.

5.1.4. Clean the air inlet filter weekly.

5.1.5. Line pressure should be increased to compensate for unusually long air hoses (over 8 metres). The minimum hose diameter should be 1/4" I.D. and fittings must have the same inside dimensions.

5.1.6. Keep the hose away from heat, oil and sharp edges. Check the hose for wear, and make certain that all connections are secure.

5.2. Couplings.

Vibration may cause failure if a quick change coupling is connected directly to the air sander. To overcome this, connect a leader hose to the sander (Sealey ref. AH2R or AH2R/38). A quick change coupling may then be used to connect the leader hose to the air line recoil hose. See figs.3 & 4.

WARNING! Ensure that you read, understand and apply the safety instructions in Section 1.

WARNING! Disconnect from the air supply before changing the belt.

5.3. Setup

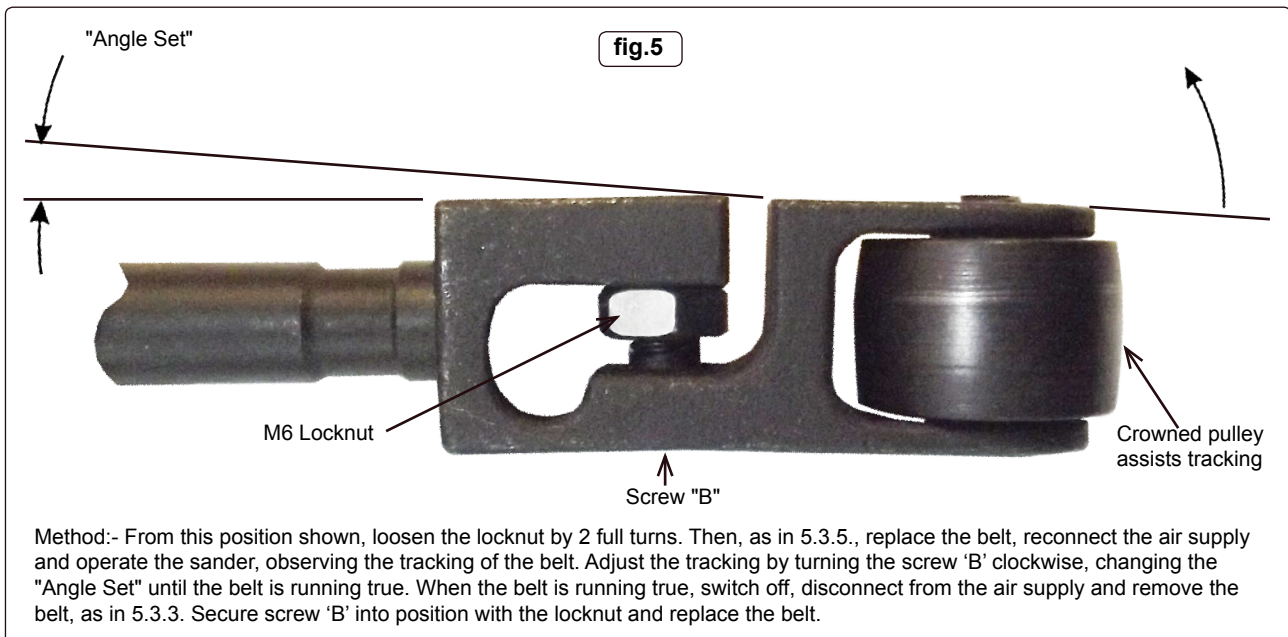
5.3.1. Unpack the product and check the contents, see fig.1. A set of 5 belts contains 1 of each of the following:- 40, 60, 80, 100 and 120 grit.

5.3.2. Once connected to the air supply the sander is started by squeezing the trigger (2).

5.3.3. To remove and replace the sanding belt push the nose roller (3) towards the drive pulley (4) against spring pressure. The nose roller bracket (5) will retract and lock allowing removal/fitting of the belt. When the new belt is in position release the pulley bracket by pushing in and holding the nose roller bracket (5), then press and hold the tension bar (6) whilst releasing the pressure on the nose roller bracket.

5.3.4. The tracking of the belt can be altered by adjusting screw 'B', the recessed socket head c'sunk screw (see fig.2). **DO NOT** adjust screw 'A' unless loose; if loose tighten without clamping free running crowned pulley. The bracket is designed with an "angle set" in it, see fig.5. Tightening screw 'B' will change this angle, hence affecting belt tracking.

- 5.3.5. To adjust the tracking of the belt, disconnect the sander from the air supply and remove the belt as described in paragraph 5.3.3. Loosen the lock nut holding screw 'B' in position, so that screw 'B' can be easily adjusted using the hex key provided. Replace the belt, reconnect the air supply and operate the sander, observing the tracking of the belt. Adjust the tracking of the belt by turning the screw 'B' until the belt is running true. When the belt is running true, switch off, disconnect from the air supply and remove the belt. Secure screw 'B' into position with the lock nut and replace the belt.
- 5.3.6. Referring to fig.2, loosen the socket head cap screw (1) to allow the angle between the grip and the belt to be altered to suit the job in hand. After adjustment retighten the socket head cap screw.



6. MAINTENANCE

- ❑ **WARNING!** Disconnect the sander from the air supply before changing the belt, servicing or performing maintenance. Replace damaged parts. *Use genuine parts only. Unauthorised parts may be dangerous and will invalidate the warranty.*
- 6.1. Unless the air supply system includes an oiler, lubricate the air sander daily with a few drops of air tool oil, dripped into the air inlet before use [Sealey part no's. ATO500S (500ml) or ATO1000S (1 Litre)].
- 6.2. Loss of power or erratic action may be due to the following:
 - a) Excessive drain on the air line. Moisture or restriction in the air line. Incorrect size or type of hose connectors. To remedy, check the air supply and follow instructions in Section 5.
 - b) Grit or gum deposits in the sander may also reduce performance. Your model has an air strainer (located in the area of the air inlet), remove the strainer and clean it. Flush the saw out with gum solvent oil or an equal mixture of SAE No 10 oil and kerosene. Allow to dry before use. If you continue to experience problems, contact your local Sealey service agent.
- 6.3. For a full service, contact your local Sealey service agent.
- 6.4. When not in use, disconnect from the air supply, clean the with a brush or dry cloth. Wipe clean the body and with a moist cloth and mild detergent. Store all in a safe, dry, childproof location.

WARNING! – Risk of Hand Arm Vibration Injury.

This tool may cause Hand Arm Vibration Syndrome if its use is not managed adequately.

This tool is subject to the vibration testing section of the Machinery Directive 2006/42/EC.

This tool is to be operated in accordance with these instructions.

Measured vibration emission value (a): 4.53 m/s²

Uncertainty value (k): 2.32 m/s²

Please note that the application of the tool to a sole specialist task may produce a different average vibration emission. We recommend that a specific evaluation of the vibration emission is conducted prior to commencing with a specialist task.

A health and safety assessment by the user (or employer) will need to be carried out to determine the suitable duration of use for each tool.

NB: Stated Vibration Emission values are type-test values and are intended to be typical.

Whilst in use, the actual value will vary considerably from and depend on many factors.

Such factors include; the operator, the task and the inserted tool or consumable.

NB: ensure that the length of leader hoses is sufficient to allow unrestricted use, as this also helps to reduce vibration.

The state of maintenance of the tool itself is also an important factor, a poorly maintained tool will also increase the risk of Hand Arm Vibration Syndrome.

Health surveillance.

We recommend a programme of health surveillance to detect early symptoms of vibration injury so that management procedures can be modified accordingly.

Personal protective equipment.

We are not aware of any personal protective equipment (PPE) that provides protection against vibration injury that may result from the uncontrolled use of this tool. We recommend a sufficient supply of clothing (including gloves) to enable the operator to remain warm and dry and maintain good blood circulation in fingers etc. Please note that the most effective protection is prevention, please refer to the Correct Use and Maintenance section in these instructions. Guidance relating to the management of hand arm vibration can be found on the HSC website www.hse.gov.uk - Hand-Arm Vibration at Work.



LEAD PAINT WARNING!

Paint once contained lead as a traditional ingredient. The dust from the removal of such paint is toxic if ingested/inhaled and must, therefore, be avoided. The following actions must be taken before using the sander on a surface that you suspect may contain lead paint.

1. User must determine potential hazard relating to age of paint to be removed.
(Modern paints do not have lead content).
2. **DANGER!** Keep all persons and pets away from the work area. The following persons are particularly vulnerable to the effects of lead paint dust: Expectant women, babies and children.
3. We recommend personal protection by using the following safety items:
 - a) Paint Spray Respirator (Sealey ref. SSP1699)
 - b) PE Coated Hooded Coverall (Sealey ref. SSP267).
 - c) Latex Gloves (Sealey ref. SSP24).
4. Take adequate measures to contain the paint dust, flakes and scrapings.
5. Continue to wear safety equipment as in (3) above and thoroughly clean all areas when task is complete. Ensure paint waste is disposed of in sealed bags or containers according to local regulations.

Environmental Protection



Recycle unwanted materials instead of disposing of them as waste. All tools, accessories and packaging should be sorted, taken to a recycling centre and disposed of in a manner which is compatible with the environment. When the product becomes completely unserviceable and requires disposal, drain off any fluids (if applicable) into approved containers and dispose of the product and the fluids according to local regulations.

Parts support is available for this product. To obtain a parts listing and/or diagram, please log on to www.sealey.co.uk, email sales@sealey.co.uk or telephone 01284 757500.

NOTE: It is our policy to continually improve products and as such we reserve the right to alter data, specifications and component parts without prior notice.

IMPORTANT: No liability is accepted for incorrect use of this product.

WARRANTY: Guarantee is 12 months from purchase date, proof of which will be required for any claim.

INFORMATION: For a copy of our latest catalogue and promotions call us on 01284 757525 and leave your full name and address, including postcode.



Sole UK Distributor, Sealey Group,
Kempson Way, Suffolk Business Park,
Bury St. Edmunds, Suffolk,
IP32 7AR



01284 757500



01284 703534



www.sealey.co.uk



sales@sealey.co.uk