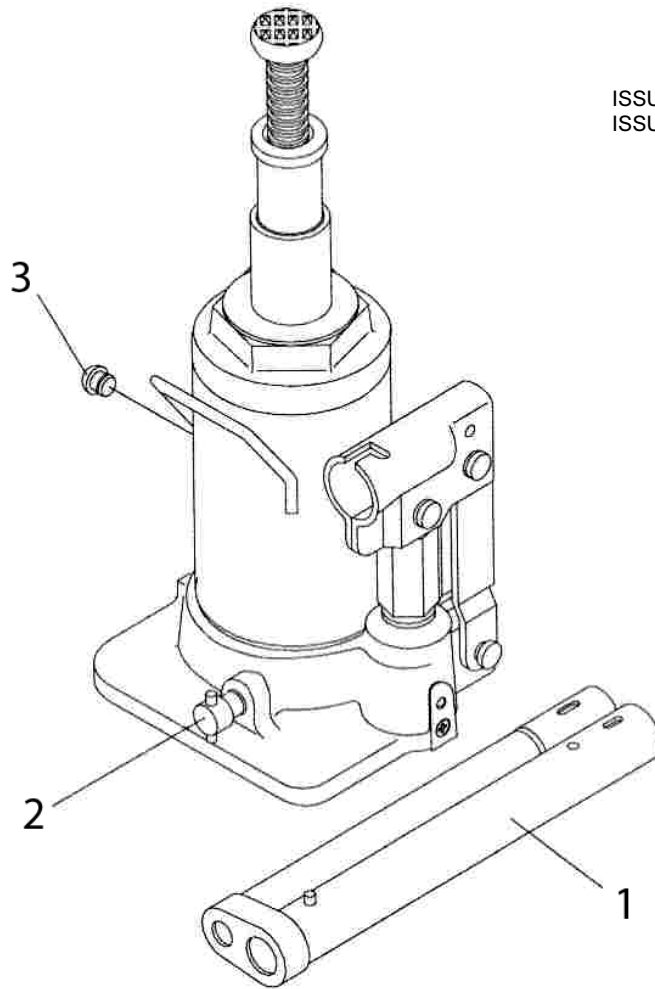


ISSUE No: 1
ISSUE DATE: 121005



Item	TSJ2	TSJ4	TSJ6	Description
1	.TSJ2.HA	.TSJ2.HA	.TSJ2.HA	.HANDLE ASSEMBLY
2	.TSJ2.OP	.TSJ2.OP	.TSJ2.OP	.OIL FILLER PLUG
3	.TSJ2.RV	.TSJ2.RV	.TSJ2.RV	.RELEASE VALVE
4 (not shown)	.TSJ2.RK	.TSJ4.RK	.TSJ6.RK	.REPAIR KIT

NOTE: It is our policy to continually improve products and as such we reserve the right to alter data, specifications and component parts without prior notice.

IMPORTANT: No liability is accepted for incorrect use of this product.

WARRANTY: Guarantee is 12 months from purchase date, proof of which will be required for any claim.

INFORMATION: For a copy of our catalogue and latest promotions call us on 01284 757525 and leave your full name, address and postcode.