

Thank you for purchasing a Sealey Product. Manufactured to a high standard this product will, if used according to these instructions and properly maintained, give you years of trouble free performance.



IMPORTANT: PLEASE READ THESE INSTRUCTIONS CAREFULLY. NOTE THE SAFE OPERATIONAL REQUIREMENTS, WARNINGS AND CAUTIONS. USE THIS PRODUCT CORRECTLY AND WITH CARE FOR THE PURPOSE FOR WHICH IT IS INTENDED. FAILURE TO DO SO MAY CAUSE DAMAGE AND/OR PERSONAL INJURY AND WILL INVALIDATE THE WARRANTY. PLEASE KEEP INSTRUCTIONS SAFE FOR FUTURE USE.

1. SAFETY INSTRUCTIONS

- WARNING!** Ensure Health & Safety, local authority and general workshop practice regulations are adhered to when using this equipment.
- ✓ Familiarise yourself with the applications, limitations and potential hazards of this tool.
- ✓ Maintain the tool in good condition. Replace or repair damaged parts. *Use genuine parts only. Unauthorised parts may be dangerous and will invalidate the warranty.*
- ✓ Keep the work area clean, uncluttered and ensure there is adequate lighting.
- WARNING!** Wear approved safety eye protection (*standard spectacles are not adequate*).
- ✓ Maintain correct balance and footing. Ensure the floor is not slippery and wear non-slip shoes.
- ✓ Remove ill fitting clothes. Remove ties, watches, rings and other loose jewellery. Contain or tie back long hair.
- ✓ Wear appropriate protective clothing.
- ✓ Keep children and unauthorised persons away from the working area.
- x **DO NOT** operate the tool if parts are damaged or missing as this may cause failure and/or personal injury.
- x **DO NOT** use the tool for a task it was not designed to perform.
- x **DO NOT** allow untrained persons to use the tool.
- x **DO NOT** operate tool if you are tired, or under the influence of alcohol, drugs or intoxicating medication.
- ✓ When not in use clean and store the tool in a safe, dry, childproof location.
- WARNING!** The warnings, cautions and instructions discussed in this manual cannot cover all possible conditions and situations that may occur. It must be understood that common sense and caution are factors which cannot be built into this product, but must be applied by the operator.

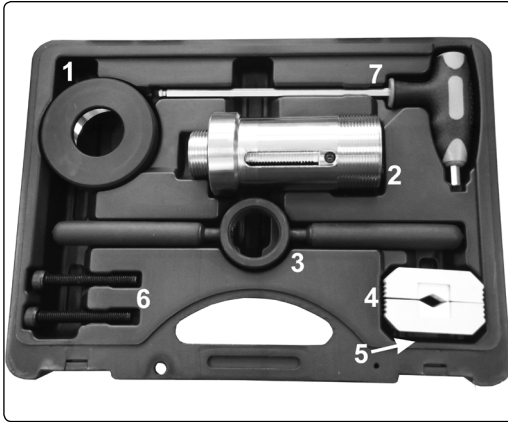
2. DESCRIPTION & SPECIFICATION

Allows the piston to be held safely in the extended position when replacing internal rebound spring shock absorbers (MacPherson Strut.) These shock absorbers are used to reduce vehicle roll and in some cases replaces the use of the anti-roll bar which is becoming more popular on modern vehicles. Features a piston shaft clamp with nylon jaws and telescopic puller.

Model No: VS392
 Maximum Piston Shaft Size: Ø16.5mm
 Maximum Puller Extension: 60mm
 Applications: BMW, Fiat, Ford, Mercedes, Nissan, Peugeot, Toyota



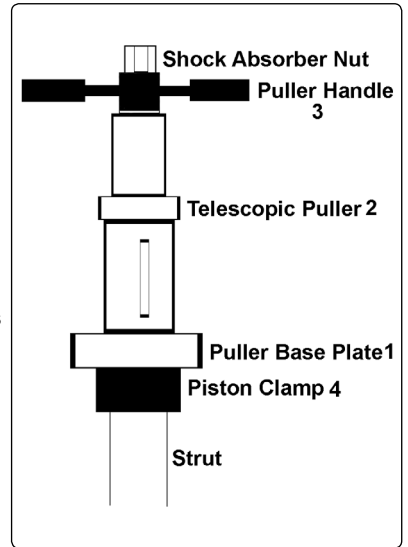
3. PARTS LIST



Item	Description	Part No.
1	Puller Base Plate	VS392.01
2	Telescopic Puller	VS392.02
3	Puller Handle	VS392.03
4	Piston Clamp	VS392.04
5	Piston Clamp Bolt 34mm x2	VS392.05
6	Piston Clamp Bolt 59mm x2	VS392.06
7	T Handle Hex Key 6mm	VS392.07

3. OPERATION

- 3.1. Position the Piston Clamp (item 4) over the piston shaft so it rests on the shock absorber main body (**DO NOT** tighten the Piston Clamp hex bolts).
- 3.2. Screw Puller Base Plate (item 1) and Puller Handle (item 3) onto Telescopic Puller (item 2) and position over shock absorber piston shaft so it rests on the Piston Clamp previously fitted.
- 3.3. Fit original shock absorber nut onto piston thread (hand tight only).
- 3.4. Rotate Puller (item 3) handle clockwise to extend shock absorber piston.
- 3.5. Once piston shaft is fully extended, tighten hex bolts with the 6mm Hex Key supplied to clamp the piston shaft in the extended position.
- 3.6. Remove Puller assembly (items 1, 2, 3) and assemble road spring and upper mounting as per the manufacturer's instructions.
- 3.7. Once strut is assembled remove the piston clamp (item 4).



Environmental Protection.

Recycle unwanted materials instead of disposing of them as waste. All tools, accessories and packaging should be sorted, taken to a recycle centre and disposed of in a manner which is compatible with the environment.

NOTE: It is our policy to continually improve products and as such we reserve the right to alter data, specifications and component parts without prior notice.

IMPORTANT: No liability is accepted for incorrect use of this product.

WARRANTY: Guarantee is 12 months from purchase date, proof of which will be required for any claim.

INFORMATION: For a copy of our latest catalogue and promotions call us on 01284 757525 and leave your full name and address, including postcode.



Sole UK Distributor, Sealey Group,
Kempton Way, Suffolk Business Park,
Bury St. Edmunds, Suffolk,
IP32 7AR

01284 757500

01284 703534



www.sealey.co.uk



sales@sealey.co.uk