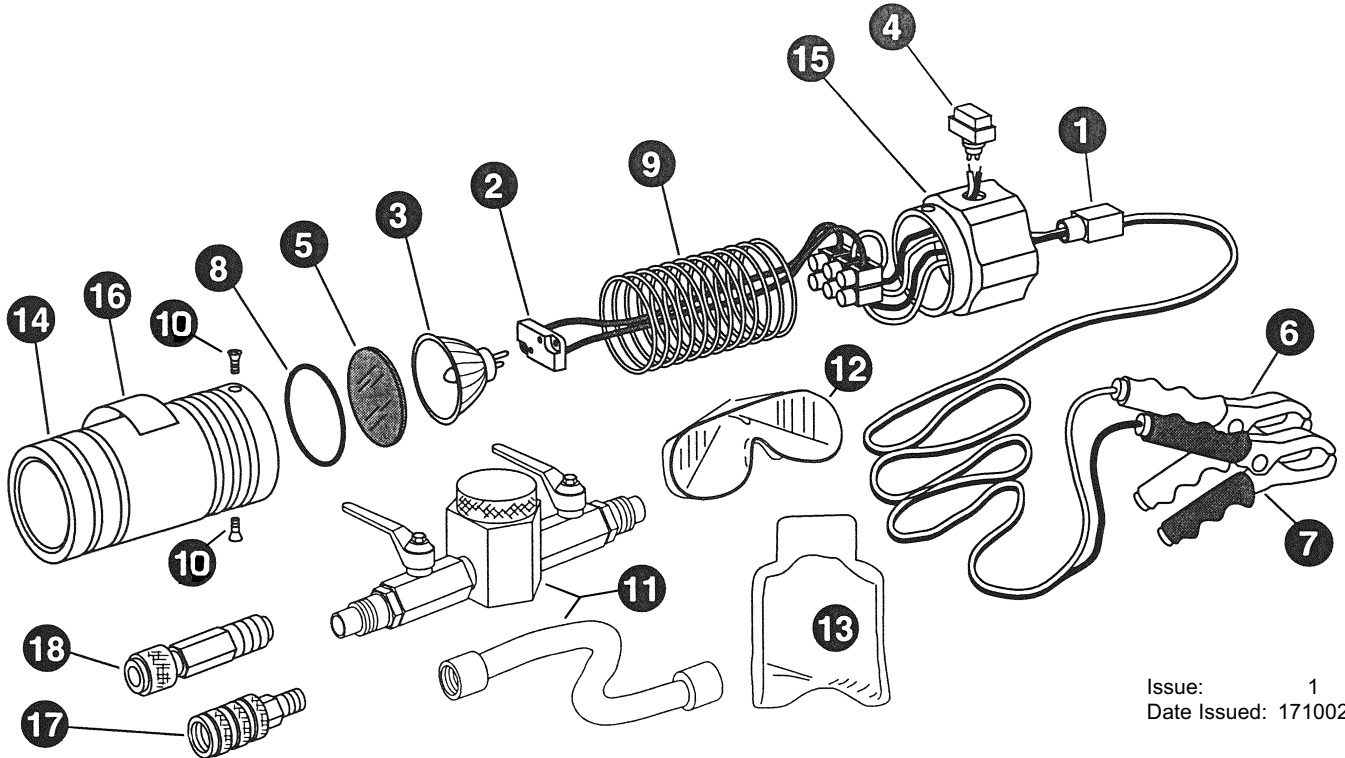


PARTS DIAGRAM & LIST FOR AIR CONDITIONING LEAK DETECTION KIT



Issue: 1
 Date Issued: 171002

Item	Part No.	Description	Item	Part No.	Description
1	153.238F011	Cable Fastener & Dowel	11	153.30400008	Injector Complete
2	153.238T004	Bulb Socket	12	153.30400001	Goggles
3	153.238TD001	Dichroic UV Bulb, 12v 50W	13	VS60012	Air Con Dye, 12 x single application bottles
4	153.30400002	Push-Button Switch	-	VS60033	Air Con Dye, 1 x twelve application bottle (not shown)
5	153.30400004	Glass Filter	14	153.30400014.03	Lamp Body, Black
6	153.30400005	Clamp, Red	15	153.30400014.04	Lamp Cover, Grey
7	153.30400006	Clamp, Black	16	153.30400003	Label
8	153.30400007	O-ring Seal	17	153.304001	Rotating Coupling 6/4
9	153.304007	Spring	18	153.304002	Rotating Coupling 4/6
10	153.30400020	Screw			