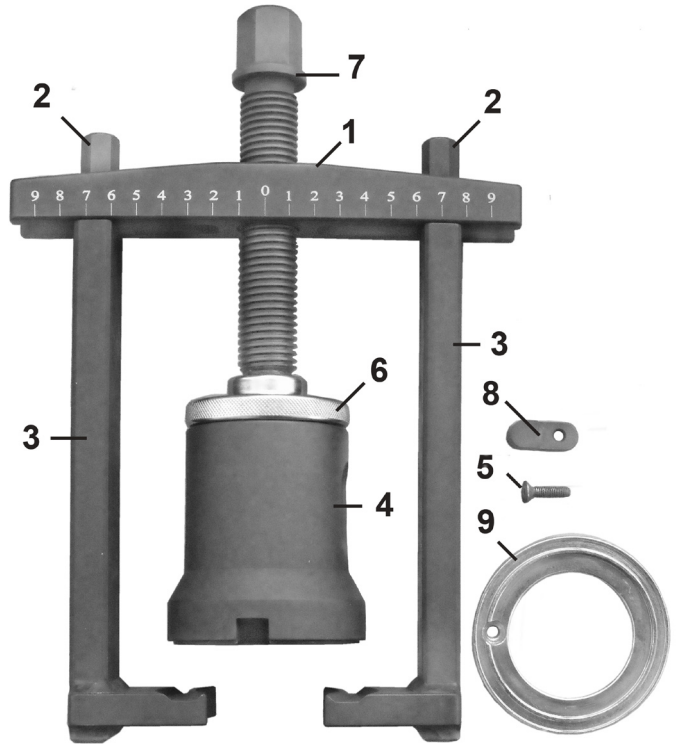


Thank you for purchasing a Sealey product. Manufactured to a high standard this product will, if used according to these instructions and properly maintained, give you years of trouble free performance.

! IMPORTANT: READ THESE INSTRUCTIONS CAREFULLY. NOTE THE SAFE OPERATIONAL REQUIREMENTS, WARNINGS AND CAUTIONS. USE THE TOOL CORRECTLY AND WITH CARE FOR THE PURPOSE FOR WHICH IT IS INTENDED. FAILURE TO DO SO MAY CAUSE DAMAGE AND/OR PERSONAL INJURY AND WILL INVALIDATE THE WARRANTY. PLEASE KEEP INSTRUCTIONS SAFE FOR FUTURE USE.

1. SAFETY INSTRUCTIONS

- WARNING!** Ensure Health and Safety, local authority and general workshop practice regulations are adhered to when using tools.
- DO NOT** use tools if damaged.
- Ensure that a vehicle which has been jacked up is adequately supported with axle stands and that the wheels are chocked, refer to the vehicle manufacturer's service instructions, or a proprietary manual.
- Wear approved eye protection. A full range of personal safety equipment is available from your Sealey dealer.
- Wear suitable clothing to avoid snagging. Do not wear jewellery and tie back long hair.
- DO NOT** use air tools to operate the force screw.
- Maintain tools in good and clean condition for best and safest performance.
- When not in use, clean and lubricate tool, and store in its storage case in a safe, dry, childproof location.
- IMPORTANT:** The force screw must be kept well lubricated.
- IMPORTANT:** This manual is provided as a guide only, refer to the vehicle manufacturer's service instructions, or a proprietary manual, to establish the current procedure and data.
- WARNING!** Failure to heed safety and warning instructions may result in damage and/or personal injury and will invalidate the warranty.
- WARNING!** The warnings, cautions and instructions referred to in this manual cannot cover all possible conditions and situations that may occur. It must be understood that common sense and caution are factors which cannot be built into this product, but must be applied by the operator.



No.	Part No.	Part name
1	VS726.01	Main Body
2	VS726.02	Bolt (x2)
3	VS726.03	Holding Hook (x2)
4	VS726.04	Pusher
5	VS726.05	Allen Bolt
6	VS726.06	Connecting Plate
7	VS726.07	Force Screw
8	VS726.08	Alignment Pin
9	VS726.09	Installation Ring

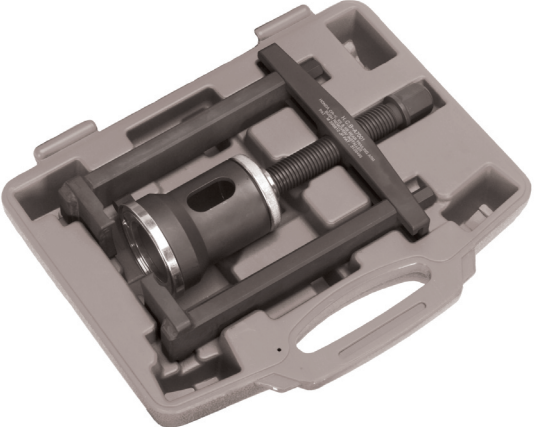
ALWAYS KEEP FORCE SCREW WELL LUBRICATED.

DO NOT USE AIR TOOLS

2. APPLICATIONS / PARTS

Suitable for the removal and installation of the rear trailing arm bush without damaging the ABS sensor cable. Features a window for reference while in operation.

Application:
 • HONDA: CR-V - K6 and K8 (09/1996 - 08/2002)



3. OPERATION

Certain parts may need to be removed from the vehicle to allow access to the rear trailing arm. Refer to the vehicle manufacturer's service instructions, or a proprietary manual to carry this out.

NOTE! This tool will insert the bush to the correct depth, but before installing the new bush, refer to the vehicle manufacturer's service instructions, or a proprietary manual, to establish the correct horizontal alignment / positioning of the bush.

IMPORTANT:

- Ensure that the area around the bush is thoroughly cleaned.
- The threads on this tool should also be thoroughly lubricated in use.
- **An Impact Socket must NOT be used with this tool.**
- **Stripped threads and bent thrust cups are not accepted warranty claims on this tool.**

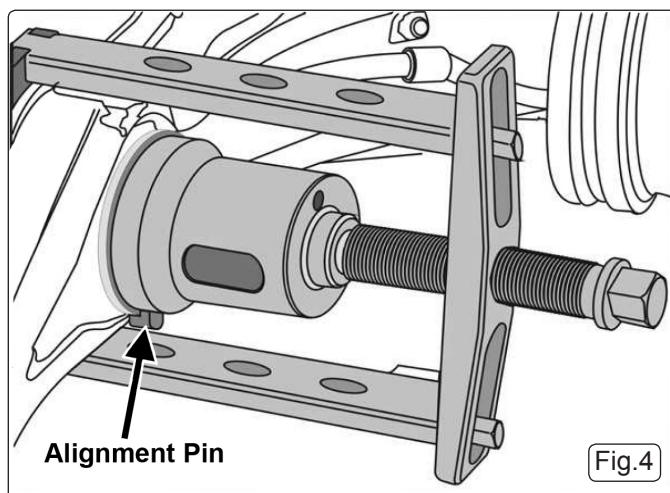
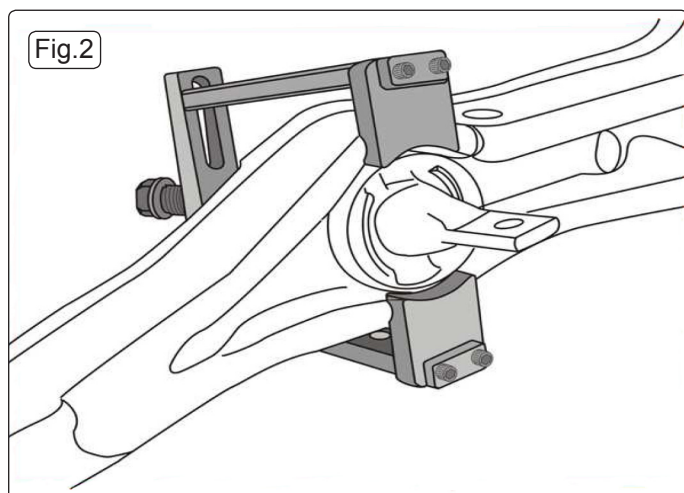
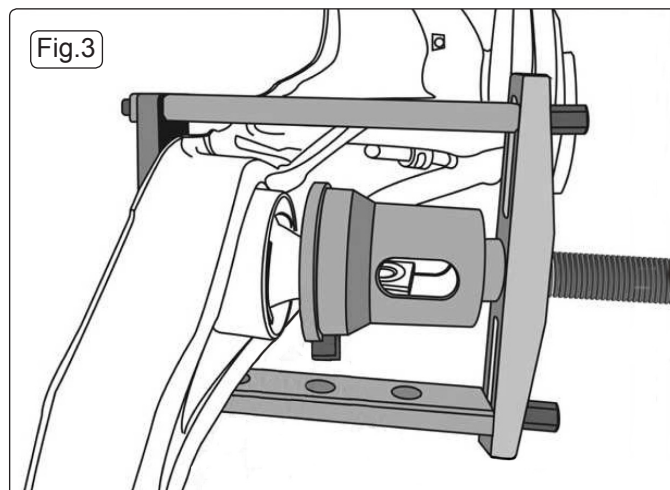
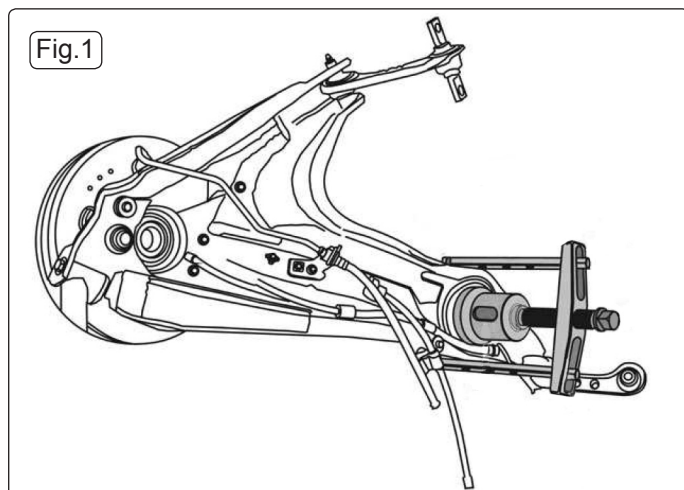
3.1. Removal of bush.

- 3.1.1. Undo the allen bolt (5) and remove it, plus the alignment pin (8) and installation ring (9) from the tool.
- 3.1.2. Position the tool as in Fig.1. Loosen off the 14mm bolts and adjust the hooks so that they securely grip onto the trailing arm (Fig.2), re-tighten the bolts. Ensure that the face of the pusher is centrally lined up with the bush.
- 3.1.3. Using a 24mm spanner, turn the force screw clockwise. The pusher will start to push the bush from its housing.
- 3.1.4. Keep turning until the bush has been pushed all the way out of the housing. Take care as the bush and assembly may fall away when the bush is fully removed.

NOTE! If any undue resistance is felt, check that everything is correctly aligned. The bush will only push out in one direction.

3.2. Installation of new bush.

- 3.2.1. Before installing a new bush, clean the inside of the housing thoroughly.
- 3.2.2. Re-assemble the alignment pin (8), the installation ring (9) and allen bolt (5) to the pusher and tighten the allen bolt.
- 3.2.3. The bush should be aligned in the housing as per the vehicle manufacturer's service instructions.
- 3.2.4. Fit the assembly over the bush and onto the housing as in Fig.3. Loosen off the 14mm bolts and adjust the hooks so that they securely grip onto the trailing arm, re-tighten the bolts. The sighting windows in the sides of the unit allow for checks on the bush to ensure that it is still in the correct position whilst installing.
- 3.2.5. Double check to make sure that everything is aligned and that the bush is sitting squarely against the housing.
- 3.2.6. Commence turning the force screw to start installing the bush into the housing, check to make sure that the bush is still aligned correctly.
- 3.2.7. Continue to install the bush until the alignment pin touches the housing (fig.4), the bush is now fully installed.
- 3.2.8. Disassemble the tool, clean and lubricate it before returning the parts to the storage case.
- 3.2.9. Re-fit all parts to the vehicle as per the vehicle manufacturer's service instructions or a proprietary manual.



NOTE: It is our policy to continually improve products and as such we reserve the right to alter data, specifications and component parts without prior notice.

IMPORTANT: No liability is accepted for incorrect use of this product.

WARRANTY: Guarantee is 12 months from purchase date, proof of which will be required for any claim.

INFORMATION: For a copy of our latest catalogue and promotions call us on 01284 757525 and leave your full name and address, including postcode.



Sole UK Distributor, Sealey Group,
Kempson Way, Suffolk Business Park,
Bury St. Edmunds, Suffolk,
IP32 7AR

01284 757500

01284 703534

www.sealey.co.uk

sales@sealey.co.uk