



INSTRUCTIONS FOR:
SURFACE MOUNTING BOOSTER PUMP
STAINLESS STEEL 62LTR/MIN 230V
 MODEL No: **WPS062S**

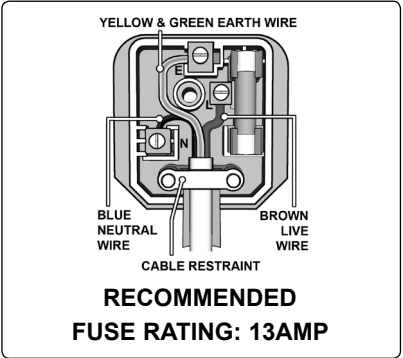
Thank you for purchasing a Sealey product. Manufactured to a high standard this product will, if used according to these instructions and properly maintained, give you years of trouble free performance.

IMPORTANT: PLEASE READ THESE INSTRUCTIONS CAREFULLY. NOTE THE SAFE OPERATIONAL REQUIREMENTS, WARNINGS AND CAUTIONS. USE THE PRODUCT CORRECTLY AND WITH CARE FOR THE PURPOSE FOR WHICH IT IS INTENDED. FAILURE TO DO SO MAY CAUSE DAMAGE AND/OR PERSONAL INJURY AND WILL INVALIDATE THE WARRANTY. PLEASE KEEP INSTRUCTIONS SAFE FOR FUTURE USE.

1. SAFETY INSTRUCTIONS

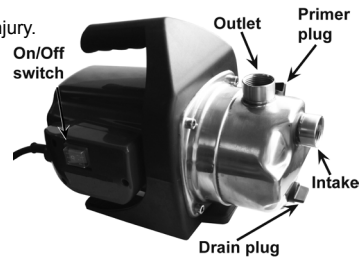
1.1. ELECTRICAL SAFETY

- **WARNING!** It is the responsibility of the owner and the operator to read, understand and comply with the following:
 You must check all electrical products, before use, to ensure that they are safe. You must inspect power cables, plugs, sockets and any other connectors for wear or damage. You must ensure that the risk of electric shock is minimised by the installation of appropriate safety devices. A Residual Current Circuit Breaker (RCCB) should be incorporated in the main distribution board. We also recommend that a Residual Current Device (RCD) is used. It is particularly important to use an RCD with portable products that are plugged into a supply which is not protected by an RCCB. If in any doubt consult a qualified electrician. You may obtain a Residual Current Device by contacting your Sealey dealer.
 You must also read and understand the following instructions concerning electrical safety.
- 1.1.1. The Electricity at Work Act 1989 requires that all portable electrical appliances, if used on business premises, are tested by a qualified electrician, using a Portable Appliance Tester (PAT), at least once a year.
- 1.1.2. The Health & Safety at Work Act 1974 makes owners of electrical appliances responsible for the safe condition of those appliances and the safety of the appliance operators. If in any doubt about electrical safety, contact a qualified electrician.
- 1.1.3. Ensure that the insulation on all cables and on the appliance is safe before connecting it to the power supply. See 1.1.1. and 1.1.2. and use a Portable Appliance Tester.
- 1.1.4. Ensure that cables are always protected against short circuit and overload.
- 1.1.5. Regularly inspect power supply cables and plugs for wear or damage and check all connections to ensure that none is loose.
- 1.1.6. Important: Ensure that the voltage marked on the appliance matches the power supply to be used and that the plug is fitted with the correct fuse - see fuse rating at right.
- 1.1.7. **DO NOT** pull or carry the appliance by the power cable.
- 1.1.8. **DO NOT** pull the plug from the socket by the cable.
- 1.1.9. **DO NOT** use worn or damaged cables, plugs or connectors. Immediately have any faulty item repaired or replaced by a qualified electrician. When a BS 1363/A UK 3 pin plug is damaged, cut the cable just above the plug and dispose of the plug safely.
 Fit a new plug according to the following instructions (UK only).
 a) Connect the GREEN/YELLOW earth wire to the earth terminal 'E'.
 b) Connect the BROWN live wire to the live terminal 'L'.
 c) Connect the BLUE neutral wire to the neutral terminal 'N'.
 d) After wiring, check that there are no bare wires, that all wires have been correctly connected, that the cable outer insulation extends beyond the cable restraint and that the restraint is tight. Double insulated products, which are always marked with this symbol , are fitted with live (brown) and neutral (blue) wires only. To rewire, connect the wires as indicated above - **DO NOT** connect either wire to the earth terminal.
- 1.1.10. Products which require more than 13 amps are supplied without a plug. In this case you must contact a qualified electrician to ensure that a suitably rated supply is available.
 We recommend that you discuss the installation of an industrial round pin plug and socket with your electrician.
- 1.1.11. If an extension reel is used it should be fully unwound before connection. A reel with an RCD fitted is preferred since any appliance plugged into it will be protected. The cable core section is important and should be at least 1.5mm², but to be absolutely sure that the capacity of the reel is suitable for this product and for others which may be used in the other output sockets, we recommend the use of 2.5mm² section cable.



1.2. GENERAL SAFETY

- **WARNING!** Pump must be used in accordance with Health & Safety, government, local authority and water authority rules and regulations.
- ✓ Familiarise yourself with the application, limitations and potential hazards peculiar to the pump.
- **WARNING!** Disconnect the pump from the mains power before servicing or performing any maintenance.
- ✓ Maintain the pump in good condition (use an authorised service agent). Keep the pump clean.
- ✓ Replace or repair damaged parts. *Use genuine parts only. Unauthorised parts may be dangerous and will invalidate the warranty.*
- ✓ Only use for pumping cold or warm water (**NOT** exceeding 35°C).
- ✓ If used in situations of possible flooding, user is responsible for installing appropriate back up procedures, alarms etc. in case of pump failure.
- ✓ If used with swimming pools, fish ponds, etc., ensure areas are clear of people and animals (including removal of fish from ponds). Note that this pump is not designed for continuous use in a fish pond or similar water feature or display.
- ✗ **DO NOT** operate the pump if any parts are damaged or missing as this may cause failure and/or possible personal injury.
- ✗ **DO NOT** use the pump for any purpose other than for which it is designed.
- ✗ **DO NOT** use to pump chemicals, fuels, fatty liquids or salt water.
- ✗ **DO NOT** pump sludge, sand, gravel, mud, or fibrous materials. Ensure the inlet hose will **NOT** pick up any solid materials. Sand and such substances will reduce working life of pump, and invalidate your warranty.
- ✗ **DO NOT** use to pump septic tanks or settling pits.
- ✗ **DO NOT** submerge the pump or the electrical cable in water. Protect the pump from external wet conditions.
- ✗ **DO NOT** operate pump during freezing temperatures. **DO NOT** allow any part of the pump or pipes to freeze.
- ✗ **DO NOT** carry pump by the cable, or piping. Only use the handle.
- ✓ When not in use switch off pump and remove plug from power supply. Rinse pump, drain out any water and store in a frost free, safe location.
- **WARNING! DO NOT** allow uncontrolled discharge of contaminated water, thus polluting the environment.



NOTE: This appliance is not intended for use by persons (including children) with reduced physical, sensory or mental capabilities or lack of experience and knowledge, unless they have been given supervision or instruction concerning the use of the appliance by a person responsible for their safety. Children should be supervised to ensure that they do not play with the appliance.

2. INTRODUCTION & SPECIFICATION

Manufactured from high impact stainless steel for added durability and rust proofing. Ideal for boosting or maintaining water pressure within the home or garden water supplies. Fitted with automatic pressure cut-off and non-return valve. Suitable for lifting water up to 8 metres.

| Model No. | Cut-Out | Outlet OD | Maximum Output | Maximum Head | Motor | Input | Maximum Particle Size | Maximum Suction Height |
|-----------|---------|-----------|----------------|--------------|-------|-------|-----------------------|------------------------|
| WPB062S | Manual | 13mm | 62ltr/min | 46mtr | 1200W | 230V | 1mm | 8mtr |

3. INSTALLATION

The pump may be gravity or suction fed. Gravity feed is the preferred arrangement as this will place less strain on the long term operation of the pump. Depending on the installation, various plumbing accessories will be required. Determine requirements and if necessary contact your local Sealey dealer for advice on obtaining appropriate accessories.

3.1. PUMP.

Locate pump in a suitable area, ensuring that there is good air circulation. Externally the pump is not designed to be totally waterproof to protect it from possible wet situations. Bolt the pump to a flat horizontal surface with the outlet pipe (fig.1a) pointing vertically upwards.

3.2. GRAVITY FEED (preferred arrangement when the feed water level is above the pump inlet).

Fit an isolation valve to the gravity feed pipe. Valve is used to turn water off and to restrict the flow if required.

3.3. SUCTION FEED (when the feed water level is lower than the pump inlet).

3.3.1. If the distance (HA) is less than 4mtr; use a feed pipe of 1" diameter.

If the distance (HA) is greater than 4mtr; use a feed pipe of greater than 1" diameter.

3.3.2. The distance (HA) must not exceed 8mtr.

3.3.3. Connect a filter valve to the feed pipe inlet (fig.1b) to ensure water will be retained in pump system.

3.3.4. Connect other end to pump inlet. The filter should be situated approximately 0.5mtr beneath the water level.

3.3.5. We advise that a check valve is installed directly on the delivery line, to prevent the pump being damaged by "water hammer" and that a cut-off valve is also installed (downstream from check valve) to facilitate maintenance work.

NOTE: With both gravity and suction feed ensure that the supply inlet pipe is the same height as the pump inlet or lower, and that, if connecting to a drinking water supply, the water authority regulations are adhered to.

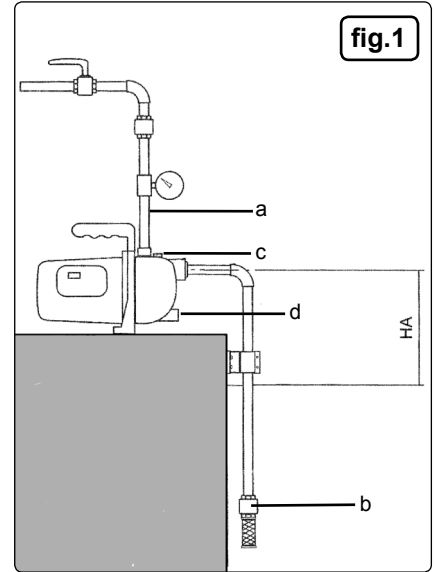


fig.1

4. OPERATING INSTRUCTIONS

WARNING! Ensure that you read, understand and apply Section 1 Safety Instructions.

4.1. Check inlet water pipe is turned on or that inlet suction feed is placed in the water supply to a depth of at least 0.5mtr.

4.2. If using gravity feed, check and set the outlet restrictor valve as necessary.

4.3. Prime the pump via the filler hole (fig.1c). Replace cap and ensure that there are no leaks. Open any closing/cut-off devices on the delivery tube.

4.4. To run the pump, plug into the electrical mains supply and press the switch located on the side of the pump to 'I'.

4.5. If, for any reason, the motor should overheat, a thermal circuit breaker will automatically activate and stop the pump. If this happens, switch the mains power off and unplug. Check the reason for overheating and remedy the problem. If the pump is not switched off, the motor will cool, after which it will automatically re-start.

5. MAINTENANCE

WARNING! Apart from the exceptions listed below, mechanical and electrical service maintenance and repair must only be undertaken by an authorised service agent. Failure to observe this rule may be dangerous and will invalidate your warranty.

WARNING! Ensure that the pump is disconnected from the mains power supply before attempting any service or maintenance.

5.1. Keep all parts of the pump clean. Rinse and drain via draining hole (fig.1d) when not in use. Check all electrical connections to ensure that they are in good condition.

5.2. If pump becomes blocked, remove the inlet pipe and direct a jet of water through the outlet whilst running the motor for several seconds.

Repeat this operation until the blockage has been expelled. If this action does not remedy the problem contact your local Sealey service agent.

5.3. Clean any accessory filters according to the manufacturer's instructions.

TROUBLESHOOTING

| | | |
|---|--|--|
| The motor does not run. | <ol style="list-style-type: none"> 1. No power. 2. Overload protection tripped. 3. Defective condenser. 4. Pump blocked. | <ol style="list-style-type: none"> 1. Verify that voltage is present and that the plug has been correctly inserted. 2. Determine the cause of the problem and reset the switch. If the thermal switch has been activated, wait for the pump to cool down. 3. Contact your authorised Sealey dealer. 4. Verify the cause and unblock the pump (see section 5.2) |
| The motor runs but no water is being pumped. | <ol style="list-style-type: none"> 1. The pump is drawing in air. | <ol style="list-style-type: none"> 1. Verify that: all joints are sealed. the water level is not below the filter valve (inlet). the filter valve is not blocked. |
| The pump stops after running for a short period of time - the thermal motor circuit breaker has been tripped. | <ol style="list-style-type: none"> 1. The power supply does not comply with the data on the nameplate. 2. A solid object is blocking the impellers. 3. The liquid is too viscous. | <ol style="list-style-type: none"> 1. Check the voltage of the power supply. 2. Attempt to remove the blockage (see section 5.2). If unsuccessful, contact your authorised Sealey dealer. 3. Pump is designed for use only with water. |



Environmental Protection.

Recycle unwanted materials instead of disposing of them as waste. All tools, accessories and packaging should be sorted, taken to a recycle centre and disposed of in a manner which is compatible with the environment.



WEEE Regulations.

Dispose of this product at the end of its working life in compliance with the EU Directive on Waste Electrical and Electronic Equipment. When the product is no longer required, it must be disposed of in an environmentally protective way. Contact your local solid waste authority for recycling information.

Parts support is available for this product. To obtain a parts listing and/or diagram, please log on to www.sealey.co.uk, email sales@sealey.co.uk or phone 01284 757500.

NOTE: It is our policy to continually improve products and as such we reserve the right to alter data, specifications and component parts without prior notice.

IMPORTANT: No liability is accepted for incorrect use of this product.

WARRANTY: Guarantee is 12 months from purchase date, proof of which will be required for any claim.

INFORMATION: For a copy of our latest catalogue and promotions call us on 01284 757525 and leave your full name and address, including postcode.



Sole UK Distributor, Sealey Group,
Kempson Way, Suffolk Business Park,
Bury St. Edmunds, Suffolk,
IP32 7AR



01284 757500



www.sealey.co.uk



01284 703534



sales@sealey.co.uk