



INSTRUCTIONS FOR

# HYDRAULIC PRESS 5.4TONNE ECONOMY BENCH TYPE

MODEL NO: **YK6ECB.V2**

Thank you for purchasing a Sealey product. Manufactured to a high standard, this product will, if used according to these instructions, and properly maintained, give you years of trouble free performance.

**IMPORTANT:** PLEASE READ THESE INSTRUCTIONS CAREFULLY. NOTE THE SAFE OPERATIONAL REQUIREMENTS, WARNINGS & CAUTIONS. USE THE PRODUCT CORRECTLY AND WITH CARE FOR THE PURPOSE FOR WHICH IT IS INTENDED. FAILURE TO DO SO MAY CAUSE DAMAGE AND/OR PERSONAL INJURY AND WILL INVALIDATE THE WARRANTY. KEEP THESE INSTRUCTIONS SAFE FOR FUTURE USE.



Refer to instruction manual



Wear eye protection

## 1. SAFETY

### 1.1. GENERAL SAFETY

- ✓ Familiarise yourself with this products application and limitations, as well as the specific potential hazards peculiar to the press.
- ✓ Maintain the press in good condition (use an authorised service agent).
- ✓ Replace or repair damaged parts. *Use recommended parts only. Non authorised parts may be dangerous and will invalidate the warranty.*
- ✓ Keep the press clean for best and safest performance.
- ✓ Locate the press in a suitable working area for its function, keep area clean, tidy, free from unrelated materials and ensure there is adequate lighting.
- ✓ Ensure the workpiece is correctly secured before operating the press.
- WARNING!** Always wear approved eye or face protection when operating the press.
- ✓ Remove ill fitting clothing. Remove ties, watches, rings, loose jewellery and contain long hair.
- ✓ Keep hands and body clear of the work table when operating the press.
- ✓ Maintain correct balance and footing. Ensure the floor is not slippery and wear non-slip steel toe-capped shoes/boots.
- ✓ Keep children and unauthorised persons away from the working area.
- ✗ **DO NOT** operate the press if any parts are missing as this may cause failure and/or possible personal injury.
- ✗ **DO NOT** use to compress springs or any other item that could disengage and cause a potential hazard.
- ✗ **DO NOT** stand directly in front of the loaded press and never leave a loaded press unattended.
- ✗ **DO NOT** use the press for any purpose other than that for which it is designed.
- ✗ **DO NOT** make any modifications to the press.
- ✗ **DO NOT** adjust or tamper with the safety valve.
- ✗ **DO NOT** exceed the rated capacity of the press.
- ✗ **DO NOT** apply off-centre loads.
- ✗ **DO NOT** allow the workpiece or the press plates to fall from the work table.
- ✗ **DO NOT** get the press wet or use in damp or wet locations or areas where there is condensation.
- ✗ **DO NOT** operate the press when you are tired or under the influence of alcohol, drugs or intoxicating medication.
- ✓ When not in use, release pressure from the hydraulic unit and clean the press. Stand or store the press plates in a safe location.
- WARNING!** Always position the press against a wall. If the press is situated in the open workshop, it is essential that a guard be placed at the rear of the unit. This will prevent injury to bystanders in the event of the workpiece ejecting suddenly.
- WARNING!** The warnings, cautions and instructions in this manual cannot cover all possible conditions and situations that may occur. It must be understood by the operator that common sense and caution are factors which cannot be built into this product, but must be applied by the operator.
- ▲ **DANGER! The press is heavy.** If it requires moving after assembly or for relocation, use suitable slings around the top crossbeam, or lift direct with a forklift with the forks located under the top crossbeam. If a forklift is not available we suggest a minimum of two people are required to lift and move the press.

## 2. INTRODUCTION

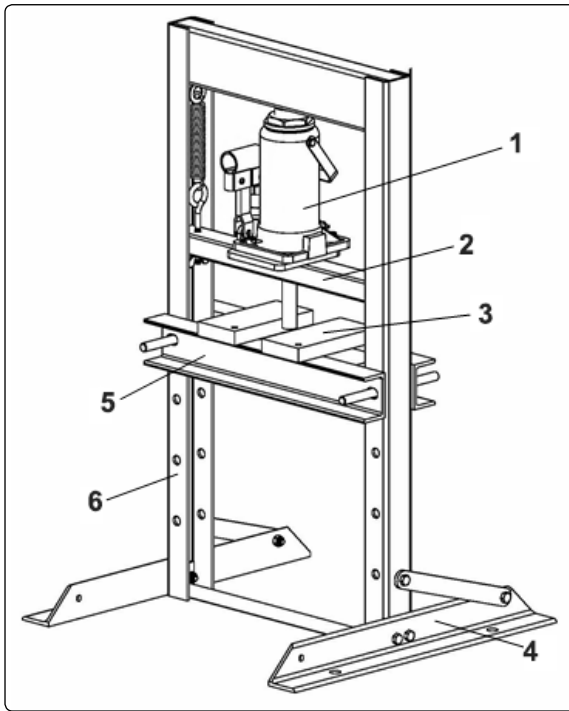
Economy range suitable for the serious enthusiast or occasional professional use. Made from high quality steel with a powder coated paint finish to help corrosion resistance.

## 3. SPECIFICATION

Model no: .....YK6ECB.V2  
 Type: .....hydraulic  
 Capacity: ..... 5.4tonne  
 Ram stroke:..... 125mm  
 Ram diameter: .....20mm  
 Max. height ram to table:..... 145.5mm  
 Min. height ram to table:..... 20.5mm  
 Table aperture: ..... 56mm  
 Working table depth: ..... 136mm  
 Working table width: ..... 340mm  
 Overall height:..... 800mm

Weight:..... 26kg

## 4. CONTENTS



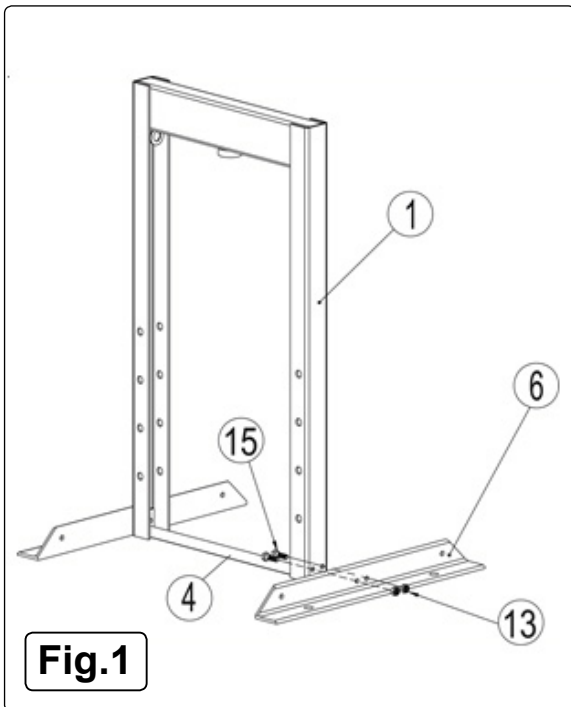
- 1 Bottle jack
- 2 Jack plate
- 3 Press plate
- 4 Angle steel foot
- 5 Press platform
- 6 Press frame

## 5. ASSEMBLY

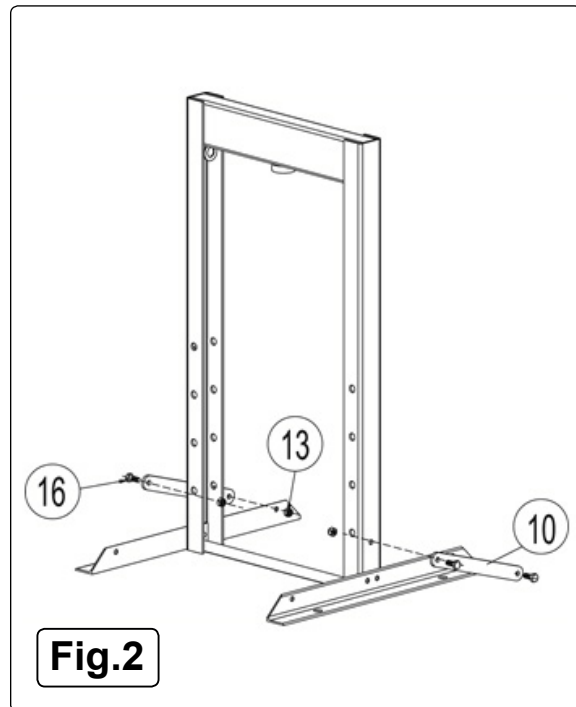
5.1. Tools required: 6mm hex key, 13mm & 14mm spanners

5.2. **Attach feet assembly fig.1**

5.2.1. Attach the spreader (#4) and angle steel feet (#1) to the main frame (#1) using hex bolt M8x25 (#15) and nylon lock nut M8 (#13).



**Fig.1**

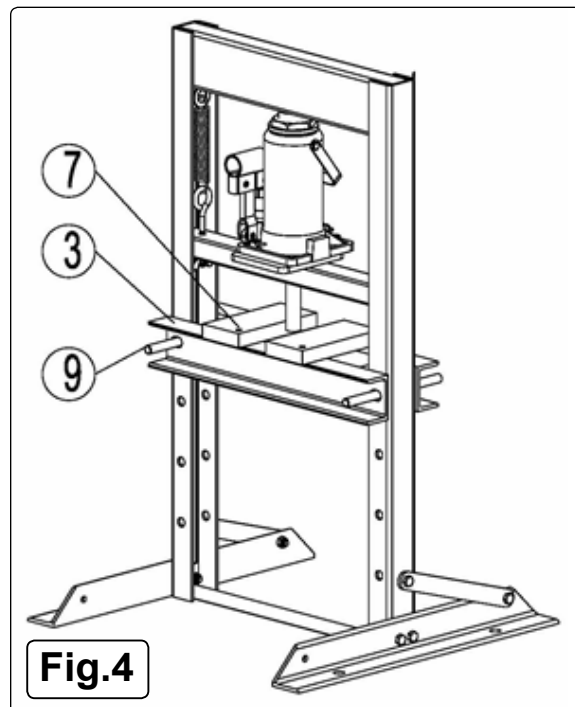
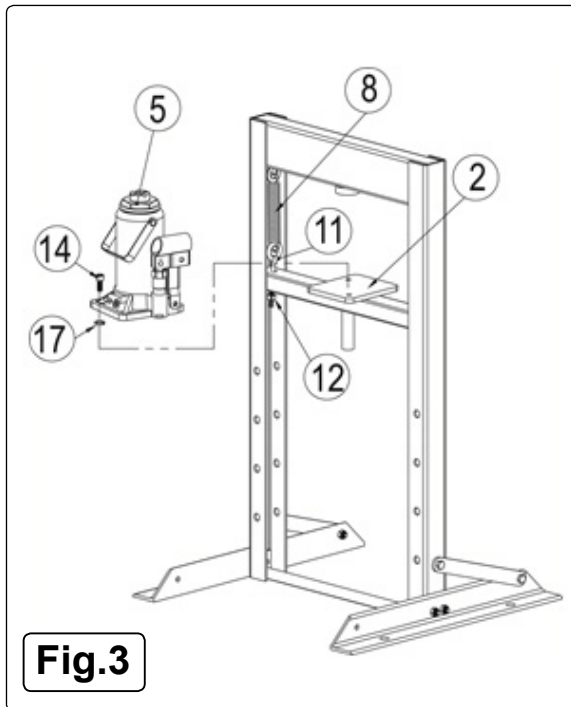


**Fig.2**

5.3. **Attach support plate fig.2**

5.3.1. Attach support plate (#10) to the main frame (#1) using hex bolt M8x20 (#16) and nylon lock nut M8 (#13).

- 5.4. **Attach the bottle jack fig.3**
- 5.4.1. Hook one end of tension spring (#8) to main frame (#1). Fix another end to Hook (#11), insert the hooks (#11) through the hole on jack plate (#12), secure with wing nut M8. Repeat for the other side.
- 5.4.2. Place the bottle jack (#5) to jack base plate (#2), fix by using hex socket round head screw M8x20 (#14) and lock washer Ø8 #17).
- 5.4.3. Adjust the wing nut (#12), so that the tension springs is in the working state, the bottle jack can be free to return to the position.



- 5.5. **Attach press platform fig.4**
- 5.5.1. Attach the press platform (#3) to main frame (#1), insert support rod (#9) to secure the press platform. Put the two press plates (#7) on the platform.

## 6. PREPARATION FOR USE

- 6.1. **Secure press to the bench/floor**
- WARNING!** Always use another person when moving the press
  - 6.1.1. Move the press to the mounting location and drill four mounting holes in the feet of the press.
  - 6.1.2. Make a template to mark the spots where the four holes will be drilled in the floor.
  - 6.1.3. Check for any hidden wiring or cables, if needed change the location for the holes.
  - 6.1.4. Temporarily move the press to the side.
  - 6.1.5. Use a masonry drill bit to drill the four holes about 3" to 4" deep into the concrete or wood.
  - 6.1.6. Clean out the drilled holes and insert lag screw anchors (not included) into the holes.
  - 6.1.7. Position the press and align the holes in the feet with the holes in the floor.
  - 6.1.8. Use four concrete anchor bolts or lag bolts (not included) to secure to the floor.
- NOTE: This press needs to be mounted to a bench/floor of either concrete or wood.
- WARNING!** To prevent serious injury **DO NOT** use damaged equipment. If abnormal noise or vibration occurs have the problem corrected before further use.
- 6.2. **Before first use**
- 6.2.1. Before using the press check the hydraulic oil level in the bottle jack.
  - 6.2.2. Test the jack several times to make sure it operates correctly before actual use. If the jack does not work properly, bleed the excess air following these steps:
    - a. Open the release valve.
    - b. Remove the oil plug and fill the jack with hydraulic fluid to full level.
    - c. Apply pressure to the saddle and pump the handle up and down several times.
    - d. Check the oil level and if necessary top off with hydraulic oil.
    - e. Replace the oil plug and close the release valve.
    - f. Test the jack several more times for proper operation before using.
- NOTE: If after bleeding the excess air the jack will still not operate properly **DO NOT** use the press until it has been repaired or replaced.

## 7. OPERATION

- 7.1. Use the support rods (#9) to adjust the height of the press platform (#3).  
NOTE: The press platform needs to be in the highest position with the workpiece as close as possible to the ram of the jack plate.
- 7.2. Place the workpiece on the press plates (#7).
  - WARNING!** Make sure there are no obstructions under the press plates. Obstructions will create an uneven surface which can cause the press plates to break under pressure.
  - WARNING!** When pressing two items together the items need to line up vertically. If they are not lined up one item may forcefully eject sideways from the unit.
- 7.3. Put the handle (#18) in the jack sleeve and move the jack plate down until the ram of the jack plate contacts your work piece.
- 7.4. Continue to operate the handle to press the workpiece.

- 7.5. When the task is completed, carefully release the pressure by removing the handle and slowly turning the valve release screw on the jack.

**WARNING!** After pressing the work piece stay clear during the release process as the jack may rise quickly.

## 8. MAINTENANCE

- 8.1. Before each use inspect the overall condition of the shop press for broken, cracked or bent parts that may affect the proper operation.

\* **DO NOT** use damaged equipment.

- 8.2. Before each use test the bottle jack for proper operation.

### 8.3. Changing the hydraulic oil

- 8.3.1. Change the hydraulic oil every two years as follows:

1. With the bottle jack in the lowered position remove the oil plug.
2. Turn the jack so the old hydraulic oil will drain out completely.
3. Fill with hydraulic jack oil until the oil begins to run out and reinstall the oil plug.

NOTE: Always dispose of the old oil properly according to local regulations.

- 8.4. Periodically clean the tool with a clean cloth and detergent or a mild solvent and wipe dry.

## 9. TROUBLESHOOTING

**WARNING!** Always use caution when troubleshooting a press. Resolve any and all issues before using this piece of equipment. Never use a damaged or malfunctioning press.

- 9.1. If there are problems with the press not operating correctly review the Troubleshooting section for possible solutions. Always test the press several times to make sure it is operating correctly before use.

NOTE: If the solutions listed **DO NOT** solve the problem **DO NOT** use and repair or replace the press.

Jack will not operate	Ram will not lift all the way	Ram lowers under load	Pump stroke feels spongy	Handle moves when jack is under load	Oil leaks from oil plug	Possible solutions
X		X				Make sure the release valve is closed. Check release.
X		X		X		Valves may be blocked or may not be fully closed. To flush valves: 1. Lower the saddle and close the release valve. 2. Manually lift the saddle several inches. 3. Open the release valve and force the saddle down as quickly as possible.
X	X		X			Jack may be low on oil. Check and refill if needed.
X	X		X			Jack may require bleeding.
					X	Unit may have too much hydraulic oil in. check oil level.



### ENVIRONMENT PROTECTION

Recycle unwanted materials instead of disposing of them as waste. All tools, accessories and packaging should be sorted, taken to a recycling centre and disposed of in a manner which is compatible with the environment. When the product becomes completely unserviceable and requires disposal, drain any fluids (if applicable) into approved containers and dispose of the product and fluids according to local regulations.

**Note:** It is our policy to continually improve products and as such we reserve the right to alter data, specifications and component parts without prior notice.

**Important:** No Liability is accepted for incorrect use of this product.

**Warranty:** Guarantee is 12 months from purchase date, proof of which is required for any claim.

Sealey Group, Kempson Way, Suffolk Business Park, Bury St Edmunds, Suffolk. IP32 7AR



01284 757500



01284 703534



sales@sealey.co.uk



www.sealey.co.uk