



SPARE PARTS LISTING SHEET FOR

# 100A 230V Gas/Gasless MIG Welder

Stock No.16057

Part No.MIG100GG

KEY No.	PART No.	STOCK No.	DESCRIPTION
1	Y-MIG100GG-01	16589	Handle screw x2.
2	Y-MIG100GG-02	16590	Handle.
3	Y-MIG100GG-03	16591	Top cover.
4	Y-MIG100GG-04	16592	Rivet x2.
5	Y-MIG100GG-05	16593	Screw.
6	Y-MIG100GG-06	16594	Wire feeder.
7	Y-MIG100GG-07	16621	Screw.
8	Y-MIG100GG-08	16641	Wire feeder loader.
9	Y-MIG100GG-09	16644	Middle cover.
10	Y-MIG100GG-10	16662	Knob.
11	Y-MIG100GG-11	16663	Nut & screw.
12	Y-MIG100GG-12	16664	Nut & spacer.
13	Y-MIG100GG-13	16665	Reactor.
14	Y-MIG100GG-14	16666	PC board.
15	Y-MIG100GG-15	16667	Transformer.
16	Y-MIG100GG-16	16668	Bottom bracket.
17	Y-MIG100GG-17	16669	Nut.
18	Y-MIG100GG-18	16670	Rectifier.

KEY No.	PART No.	STOCK No.	DESCRIPTION
19	Y-MIG100GG-19	16671	Metal.
20	Y-MIG100GG-20	16673	Gas valve.
21	Y-MIG100GG-21	16674	Fan.
22	Y-MIG100GG-22	16675	Bottom cover.
23	Y-MIG100GG-23	16676	Side cover.
24	Y-MIG100GG-24	16677	Potentiometer.
25	Y-MIG100GG-25	16678	Knob.
26	Y-MIG100GG-26	16680	Water joint.
27	Y-MIG100GG-27	16681	Current switch.
28	Y-MIG100GG-28	16682	Current switch.
29	Y-MIG100GG-29	16683	Power switch.
30	Y-MIG100GG-30	16684	Hot light.
31	Y-MIG100GG-31	16685	Water joint.
32	Y-MIG100GG-32	16687	Plastic foot.
33	Y-MIG100GG-33	16688	Screw.
34	Y-MIG100GG-34	16689	Screw & spacer.
35	Y-MIG100GG-35	16695	Screw.
36	Y-MIG100GG-36	16709	Nut.

**Helpline: (023) 8049 4344. Sales Desk: (023) 8049 4333. General Enquiries: (023) 8026 6355.**

DRAPER TOOLS LTD, HURSLEY ROAD, CHANDLER'S FORD, EASTLEIGH, HANTS. SO53 1YF. U.K. Website: [www.drapertools.com](http://www.drapertools.com) e-mail: [sales@drapertools.com](mailto:sales@drapertools.com)

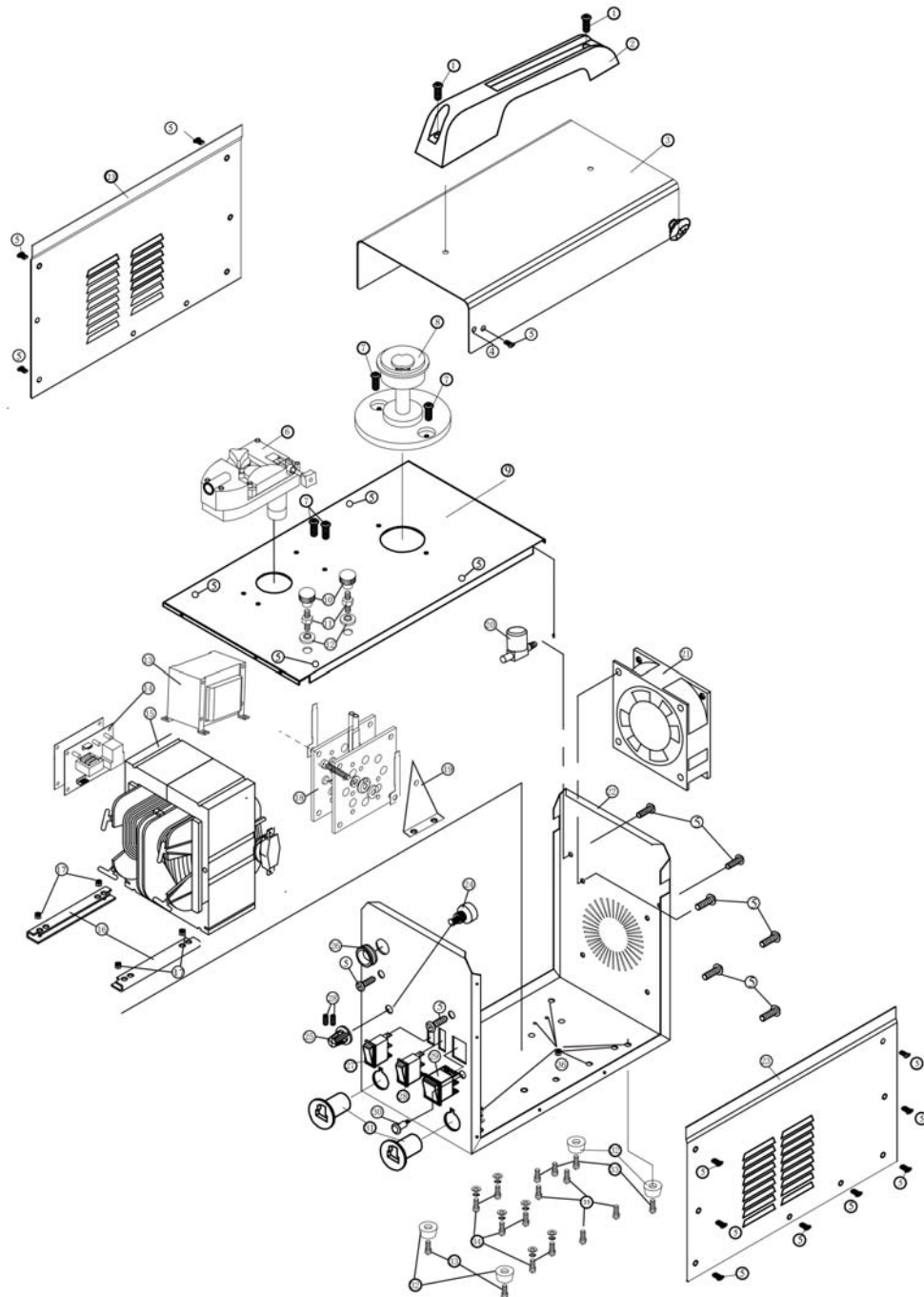


SPARE PARTS DRAWING SHEET FOR

# 100A 230V Gas/Gasless MIG Welder

Stock No.16057

Part No.MIG100GG



**Helpline:** (023) 8049 4344. **Sales Desk:** (023) 8049 4333. **General Enquiries:** (023) 8026 6355.

DRAPER TOOLS LTD, HURSLEY ROAD, CHANDLER'S FORD, EASTLEIGH, HANTS. SO53 1YF. U.K. Website: [www.drapertools.com](http://www.drapertools.com) e-mail: [sales@drapertools.com](mailto:sales@drapertools.com)

KCJP0816