

HORIZONTAL/VERTICAL METAL CUTTING BANDSAW

■ STOCK No.30736 ■ PART No.MBS46A

SPARE PARTS LISTING

08/2001

KEY No.	PART No.	STOCK No.	DESCRIPTION
1	YMBS46A-001	28648	Hexagon head screw (8)
2	YMBS46A-002	28649	Hexagon nut (9)
3	YMBS46A-003	28650	Washer (18)
6	YMBS46A-006	28653	Cotter pin
7	YMBS46A-007A	64352	Stand shelf
9	YMBS46A-008	28654	Wheel assy (1)
11	YMBS46A-011	28656	Hexagon head screw (13)
12	YMBS46A-012	28657	Hexagon nut (10)
13	YMBS46A-013A	64353	Floor stand (2)
14	YMBS46A-014	28659	Floor stand handle (1)
15	YMBS46A-015	28661	Adjusting rod (1)
16	YH05VVF3	30094	BS Moulded plug and cable
17	YMBS46A-017	28663	Pivoting pin (1)
18	YMBS46A-018	28664	Support plate (1)
19	YMBS46A-019	28665	End stop (1)
20	YMBS46A-020	28666	Screw
21	YMBS46A-021	28667	End stop rod (1)
22	YMBS46A-022	28668	Wire relief retainer (1)
23	YMBS46A-023	36763	No volt switch (1)
24	YMBS46A-024	35041	Bush
26	YMBS46-026	28671	Blade guard
28	YMBS46A-028	28672	Hand wheel (1)
29	YMBS46A-029	30861	Blade guard (left)
30	YMBS46A-030	30860	Blade guard (right)
32	YMBS46A-032	28675	Lead screws (1)
33	YMBS46A-033	28676	Vice nut
34	YMBS46A-034A	64356	Movable vice plate (1)
35	YMBS46A-035	28679	Washer (1)
36	YMBS46A-036	28680	Hexagon head screw (1)
37	YMBS46A-037A	64354	Bed (1)
38	YMBS46A-038	35045	C-ring
39	YMBS46A-039	28682	Scale (1)
40	YMBS46A-040	29697	Condensor, motor
41	YMBS46A-041	35046	Hex. head screw (4)
42	YMBS46A-042	35047	Hex. nut (4)
44	YMBS46A-044	28684	Electronic cord (1)
45	YMBS46A-045	28685	Nut plate (2)
46	YMBS46A-046	28687	Spring adjusting screw (1)
47	YMBS46A-047	28688	Spring (1)
48	YMBS46A-048	28689	Screw (14)
49	YMBS46A-049A	64357	Mitring vice plate (1)
50	YMBS46A-050	28691	Hexagon head screw (1)
52	YMBS46A-052	28693	Hexagon head screw (1)
53	YMBS46A-053	28695	Hexagon head screw (1)
54	YMBS46A-054	28696	Pivot (1)
55	YMBS46A-055	33429	Vertical cutting plate
56	YMBS46A-056	28989	Bracket (1)
57	YMBS46A-057	28671	Blade guard

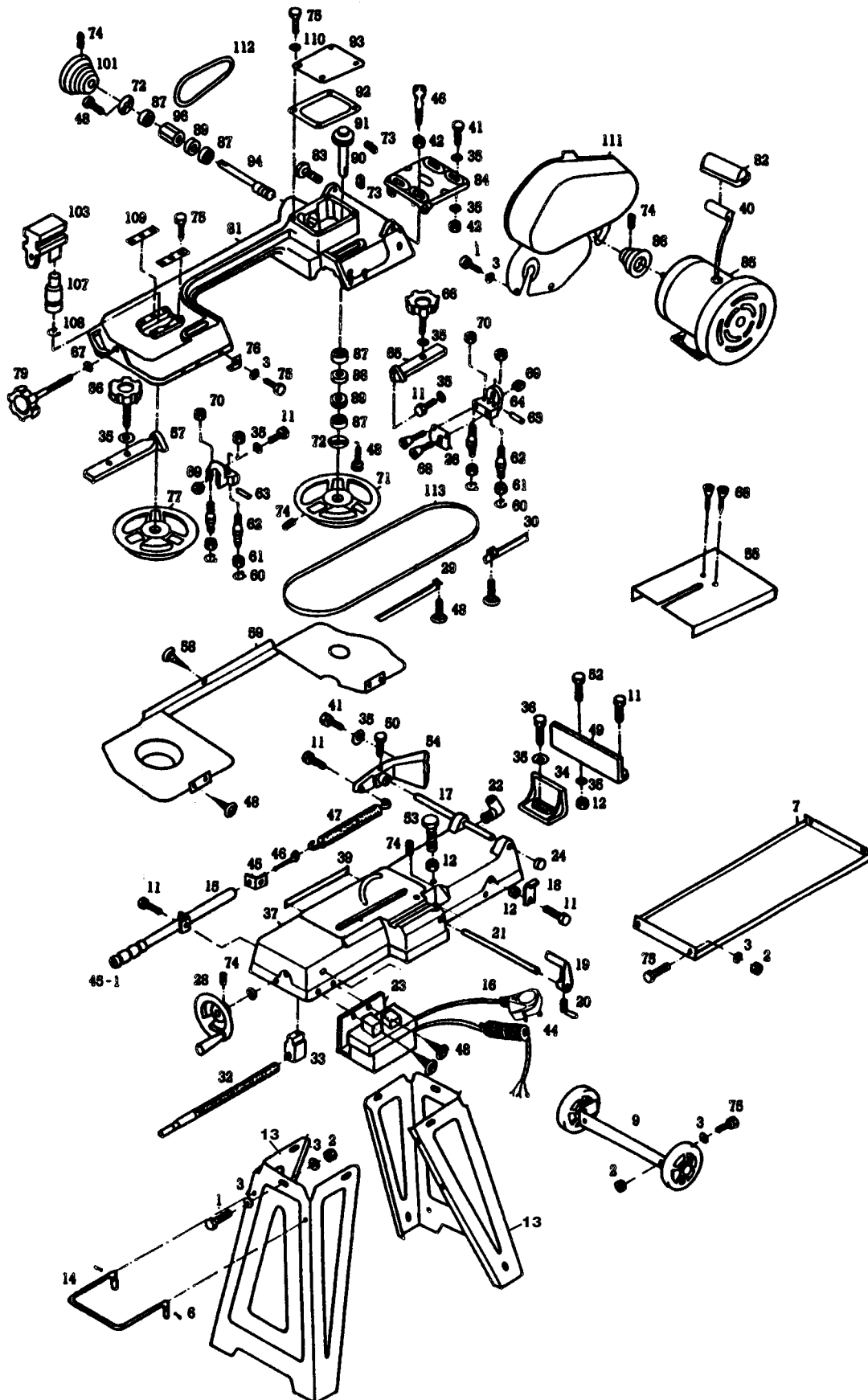
KEY No.	PART No.	STOCK No.	DESCRIPTION
58	YMBS46A-058	28699	Plum screw (1)
59	YMBS46A-059	28700	Blade back safety cover (1)
60	YMBS46A-060	28702	Thrush washer (4)
61	YMBS46A-061	35048	Bearing (4)
62	YMBS46A-062	28704	Guide pivot (2)
63	YMBS46A-063	28705	Bearing shaft pin (1)
64	YMBS46A-064	28706	Blade adjustable seat (2)
65	YMBS46A-065	28707	Adjustable bracket (right) (1)
66	YMBS46A-066	28708	Blade roller bearing guide & lock (2)
67	YMBS46A-067	28709	Spring washer (2)
68	YMBS46A-068	28710	Screw (5)
69	YMBS46A-069	35051	Bearing (608) (2)
70	YMBS46A-070	28712	Hexagon nut (4)
71	YMBS46A-071	30810	Blade wheel (front) (1)
72	YMBS46A-072	28714	Blade wheel bearing cover (2)
73	YMBS46A-073	28715	Key (2)
74	YMBS46A-074	28716	Key (4)
75	YMBS46A-075	28717	Hexagon head screw (9)
76	YMBS46A-076	28718	Switch cut off tip (1)
77	YMBS46A-077	30809	Blade wheel (rear) (1)
79	YMBS46A-079	28721	Blade tension adjustable knob (1)
81	YMBS46A-081A	64355	Head
82	YMBS46A-082	35053	Condenser cover
83	YMBS46A-083	28724	Hexagon head screw (2)
84	YMBS46A-084	28725	Motor mount plate (1)
85	YMBS46A-085	28726	Motor (1)
86	YMBS46A-086	28728	Motor pulley (1)
87	YMBS46A-087	28729	Ball bearing (4)
88	YMBS46A-088	28730	Bearing bushing (1)
89	YMBS46A-089	28731	Oil seal (1)
90	YMBS46A-090	28732	Transmission wheel shaft (1)
91	YMBS46A-091	28733	Transmission gear (1)
92	YMBS46A-092	28734	Gear box gasket (1)
93	YMBS46A-093	28736	Gear box cover (1)
94	YMBS46A-094	28737	Worm gear (1)
96	YMBS46A-096	28739	Bearing bushing (1)
101	YMBS46A-101	28742	Worm gear pulley (1)
103	YMBS46A-103	28745	Blade tension sliding plate (1)
107	YMBS46A-107	28749	Blade wheel shaft (1)
108	YMBS46A-108	35055	C-ring
109	YMBS46A-109	28751	Blade tension sliding guides (2)
110	YMBS46A-110	28755	Washer (4)
111	YMBS46A-111	28752	Motor pulley cover (1)
112	YMBS46A-112	28753	V-belt A22 (1)
113	YMBS46A-113	28754	Blade (1)

HORIZONTAL/VERTICAL METAL CUTTING BANDSAW

■ STOCK No.30736 ■ PART No.MBS46A

PARTS DRAWING

08/2001



Helpline: (023) 8049 4344. Sales Desk: (023) 8049 4333. General Enquiries: (023) 8026 6355.