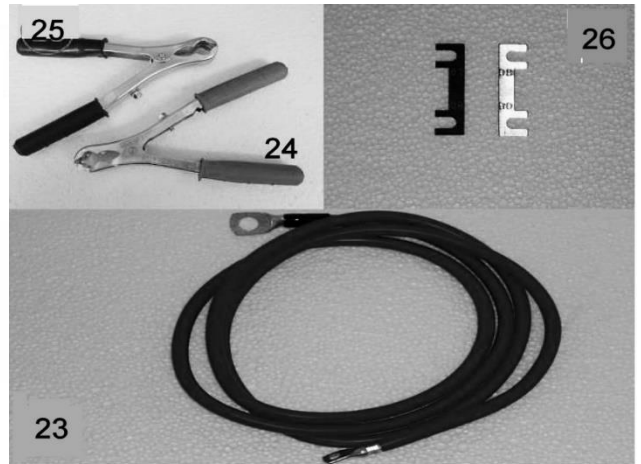
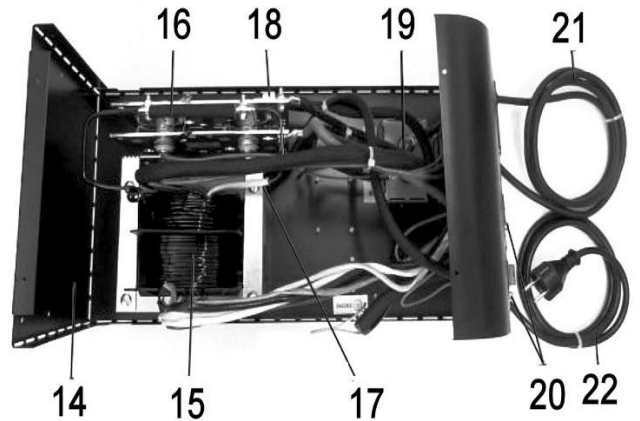
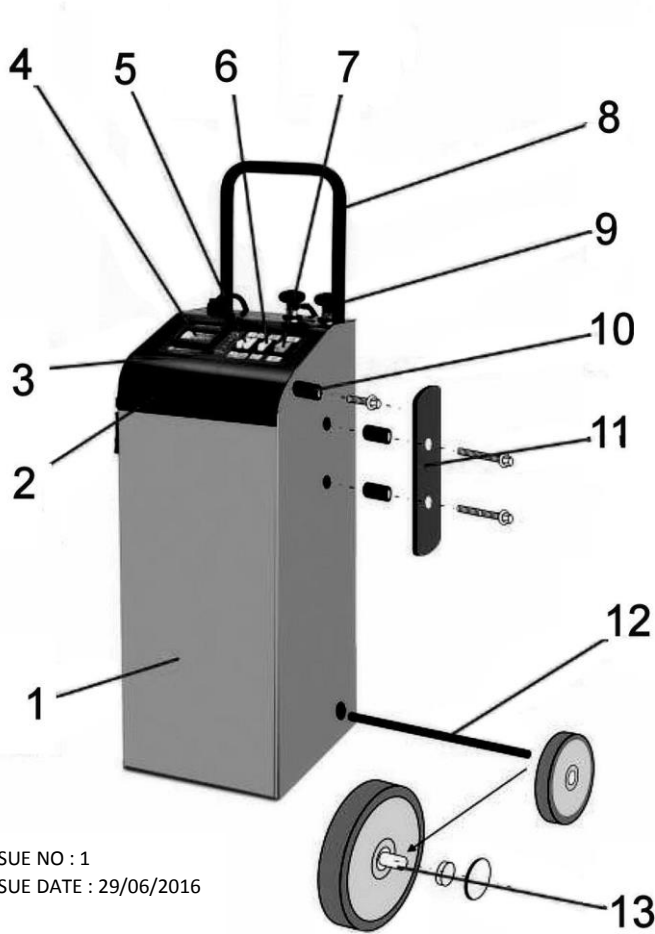




**PARTS FOR :**  
**STARTER/CHARGER 500Amp 12/24v**  
**MODELS: SUPERSTART500**



ISSUE NO : 1  
 ISSUE DATE : 29/06/2016

| ITEM | PART NO       | DESCRIPTION           | ITEM | PART NO       | DESCRIPTION           |
|------|---------------|-----------------------|------|---------------|-----------------------|
| 1    | SSTART500.01  | FRONT PANEL           | 14   | SSTART500.13  | BASE PANEL            |
| 2    | SSTART500.02  | TOP PANEL             | 15   | SSTART500.14  | TRANSFORMER           |
| 3    | SSTART500.03  | DISPLAY PANEL SUPPORT | 16   | SSTART500.15  | RECTIFIER             |
| 4    | SSTART500.04  | DISPLAY               | 17   | SSTART650.16  | THERMOSTAT (13)       |
| 5    | SSTART500.05A | DOUBLE SWITCH         | 18   | SSTART650.17  | THERMOSTAT (11)       |
| 6    | SSTART500.05B | SINGLE SWITCH         | 19   | SSTART500.18  | FUSE OUTPUTS          |
| 7    | SSTART500.06  | ON-OFF SWITCH         | 20   | SSTART500.19  | 12-24V OUTPUT         |
| 8    | SSTART500.07  | HANDLE                | 21   | SSTART500.20  | NEGATIVE OUTPUT CABLE |
| 9    | SSTART500.08  | OUTPUT KNOB           | 22   | SSTART500.21  | POWER SUPPLY CABLE    |
| 10   | SSTART500.09  | CLAMP SUPPORT KIT     | 23   | SSTART500.22  | POSITIVE OUTPUT CABLE |
| 11   | SSTART500.10  | CABLE REELS KIT       | 24   | SSTART500.23A | POSITIVE CLAMP        |
| 12   | SSTART500.11  | AXLE                  | 25   | SSTART500.23B | NEGATIVE CLAMP        |
| 13   | SSTART500.12  | WHEEL KIT             | 26   | SSTART500.24  | FUSE KIT 10PCS 80A    |



Sole UK Distributor,  
 Sealey Group, Kempson Way,  
 Suffolk Business Park,  
 Bury St Edmunds, Suffolk, IP32 7AR

01284 757500  
 01284 703534

[www.sealey.co.uk](http://www.sealey.co.uk)  
[sales@sealey.co.uk](mailto:sales@sealey.co.uk)



